



# RIVASSA

## 2-3-4 COLUMN RADIATOR

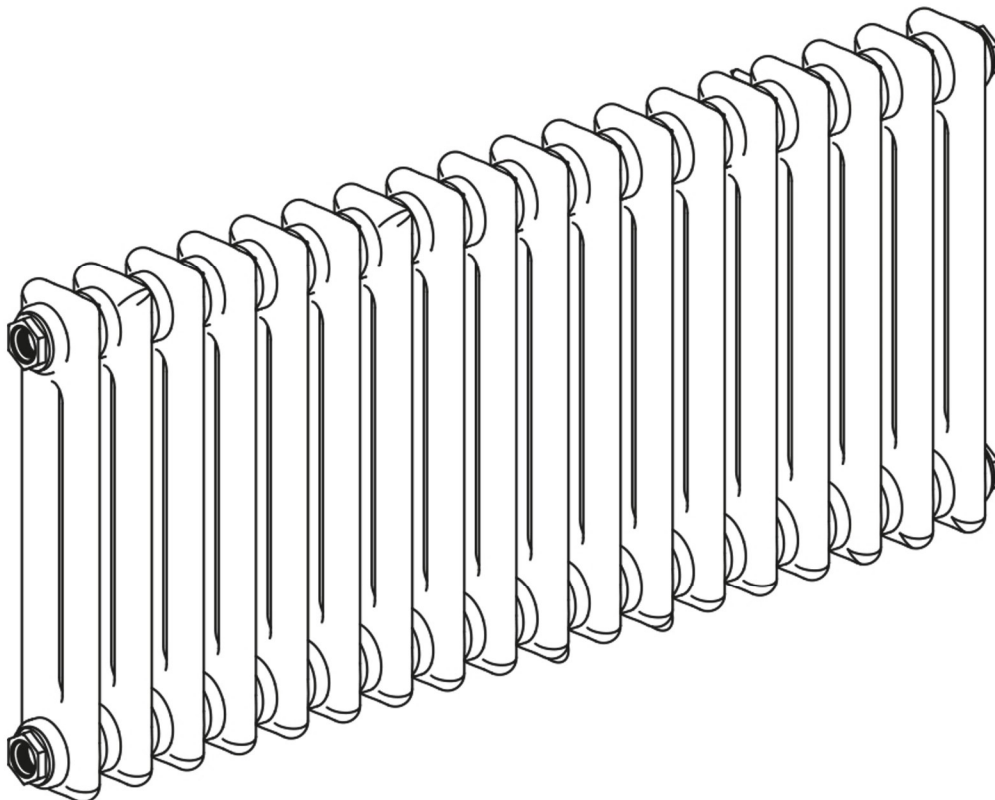
### INSTALLATION MANUAL

Our products are designed to be fitted by a fully qualified installer and in compliance with all relevant regulations.

- Eastbrook will not accept any liability for damage, injury or unsatisfactory performance if the product is not fitted by a fully qualified installer.
- **The product that you are about to install should only be used in DOMESTIC CENTRAL HEATING systems unless the size you purchased is compatible with element for electric only usage. Please consult your engineer or supplier.**
- **Max. Working pressure : 4 bar**

***PLEASE READ THIS INSTRUCTION THOROUGHLY BEFORE STARTING THE INSTALLATION***

- We reserve to change any technical specification without prior notice.
- This product is warrantied against manufacturing defects and our liability under any guarantee is limited to repair or replacement of the defective product. The warranty is not transferrable.
- Corrosion inhibitor must be added to the system regularly in order to maintain the warranty.





### CAUTION

1. Follow installation instructions carefully to ensure unit is properly attached to the wall.
2. To avoid a possible fire hazard, it is essential unit is mounted in accordance with guidelines stated in the instruction.
3. Radiator is intended for indoor use only, do not place radiator inside a shower, steam room, or wherever unit would be exposed to water.

## TECHNICAL DATA

**This product is for domestic use only with a maximum pressure of 4 bar.**

It should only be filled with water, and at a temperature below 100 °C (212°F). See table below for installation requirements. If the temperature exceeds 48°C (or 120°F), please install a warning sign near the product to avoid burning and scolding accidents.

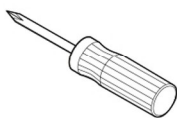
Temperature:  $0^{\circ}\text{C} < t \leq 100^{\circ}\text{C}$

Comments: If ambient temperature drops below 1°C,  
drain out the water to prevent freezing.

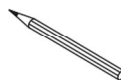
### Important

Wipe the surface clean with a soft, damp cloth. Never use abrasive cleaners on this product as they will damage the surface.

## TOOLS YOU MIGHT NEED



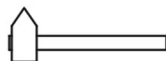
Screwdriver



Pencil



Adjustable Wrench



Rubber Hammer



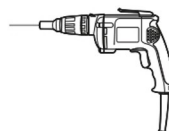
Glove



Tape Measure



Spirit Level



Electric Drill



PTFE Tape

**Eastbrook**

Eastbrook Road, Gloucester Road GL4 3DB  
Technical Helpline : 01452 317890 Mon-Fri / 8am - 5pm  
Email : [technical@eastbrookco.com](mailto:technical@eastbrookco.com)

# IMPORTANT CHILD SAFETY NOTE

Important: Please note that you are 100% legally responsible for your own child's safety at home. Once the radiator is installed, it can become a hazard for children as a) This radiator is not designed to support unreasonable extra weight, such as that of a child, and b) The radiator becomes hot during use. Due to this, we must stress that you should not allow children to climb/grab/play with the radiator or rails, as this can cause accident or injury for the child, from heat, falling, or the radiator being pulled off the wall.

## BEFORE INSTALLATION

- Observe all local plumbing and building codes.
- Read these instructions carefully to ensure proper installation.
- Check to make sure you have the following parts indicated below.



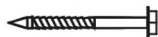
CAUTION

Please check you have all of these items in the box.



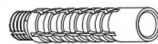
Wall Bracket

X4 \*(X6)



Screw

X8 \*(X12)



Masonry Wall Plug

X8 \*(X12)

### IMPORTANT NOTE :

\* Radiators that have more than 22 sections/panels come with more parts.



Airvent

X1



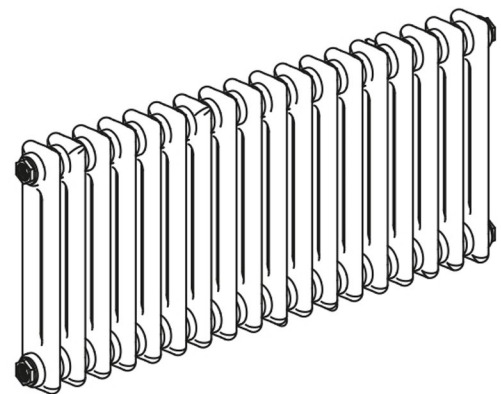
Blanking plug

X1



Washer

X8 \*(X12)



Radiator Body

X1

Please note that the air vent and blanking plug come pre-fitted on the radiator.

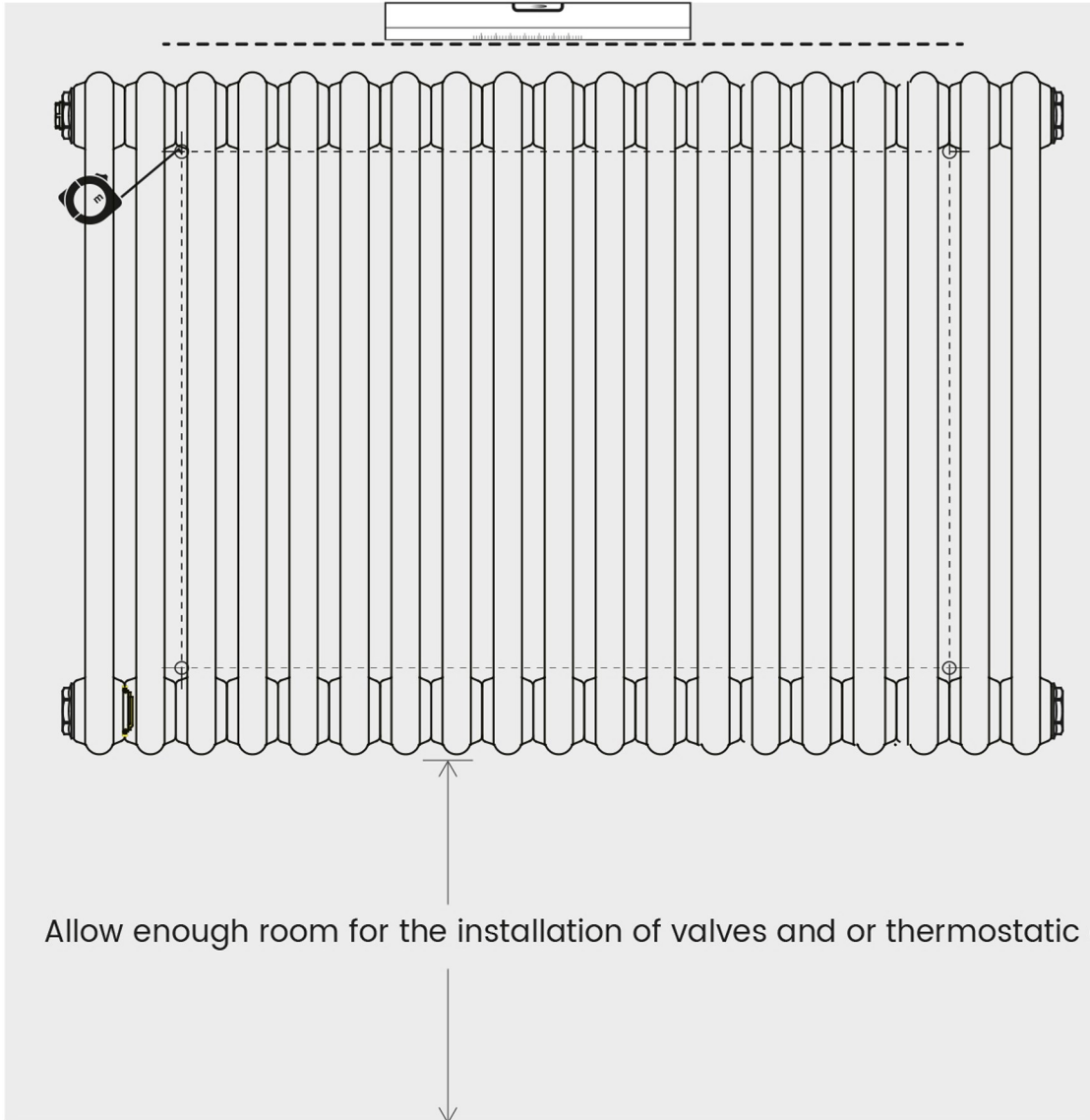
**Eastbrook**

Eastbrook Road, Gloucester Road GL4 3DB  
Technical Helpline : 01452 317890 Mon-Fri / 8am - 5pm  
Email : technical@eastbrookco.com

# INSTALLATION PROCEDURE

- 1 Position the towel rail in desired location, check for level and mark four equal positions for the brackets.

Make sure the towel rail is installed vertically.



Allow enough room for the installation of valves and or thermostatic controls



**CAUTION**

Before installation place a dust sheet on the floor to prevent losing any small parts.

**Eastbrook**

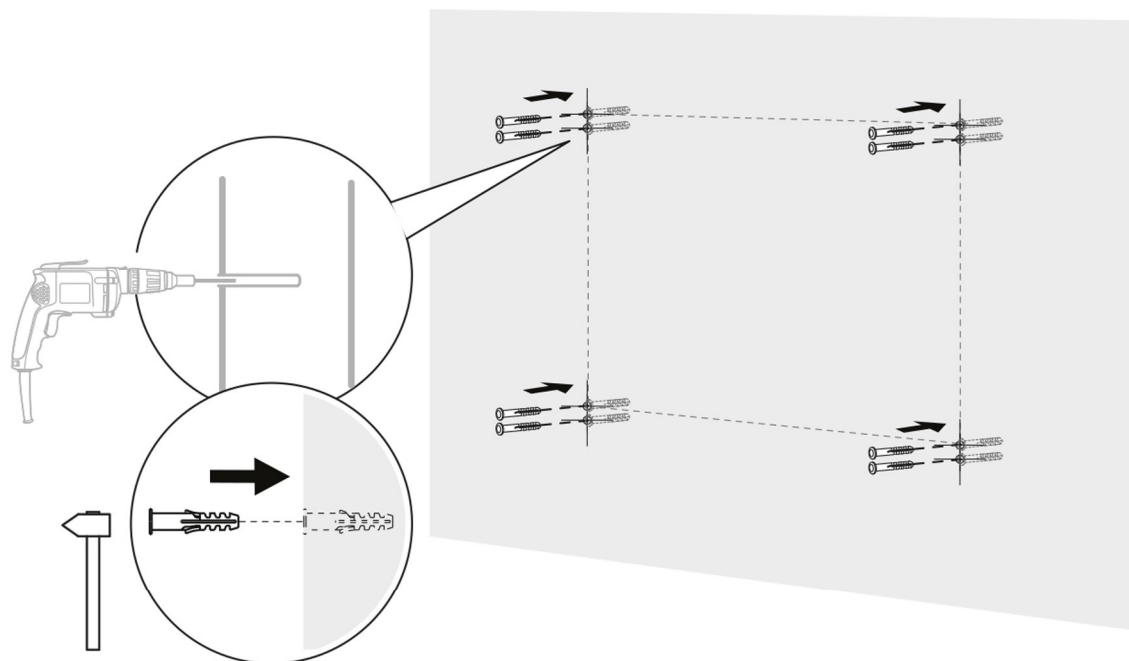
Eastbrook Road, Gloucester Road GL4 3DB  
Technical Helpline : 01452 317890 Mon-Fri / 8am - 5pm  
Email : [technical@eastbrookco.com](mailto:technical@eastbrookco.com)

# INSTALLATION PROCEDURE

2

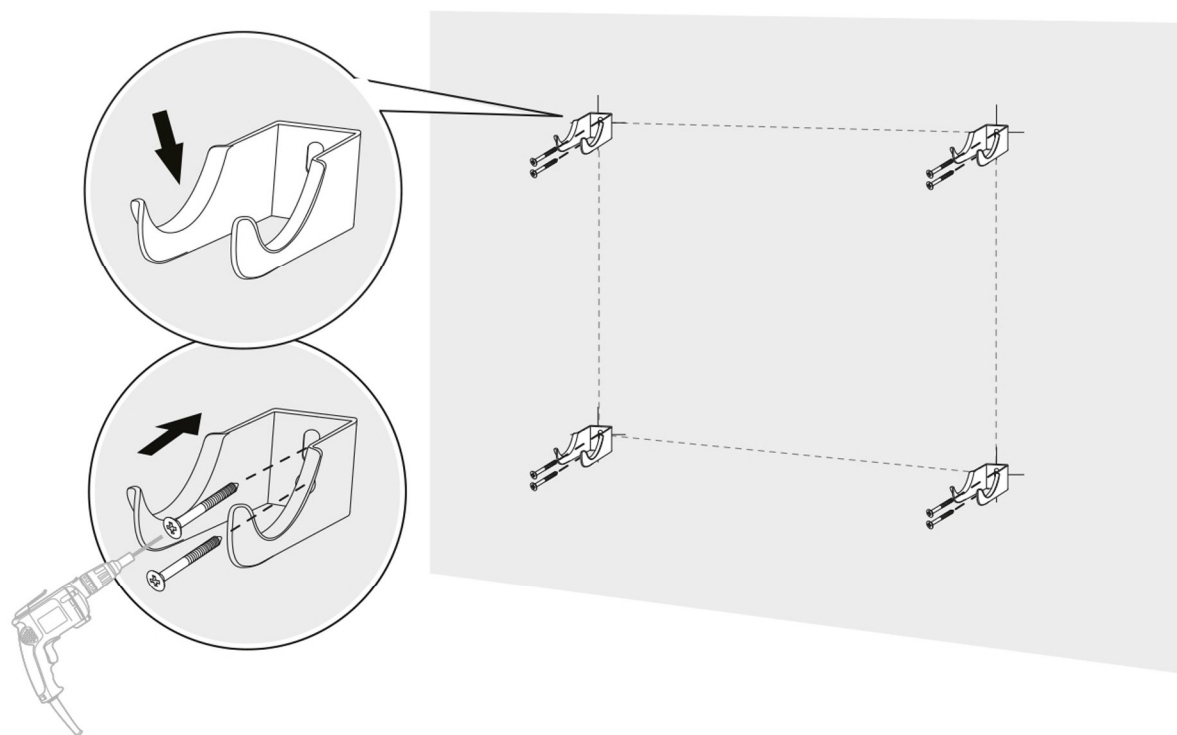
Drill holes in wall and insert wall plugs. N.B for false or studded walls different fixings can be purchased from your local DIY store.

\* Wall plugs may need to be replaced with an alternative if not fixing to a solid wall.



3

Fix the wall brackets to the wall with screws provided and ensure holding.



**Eastbrook** 

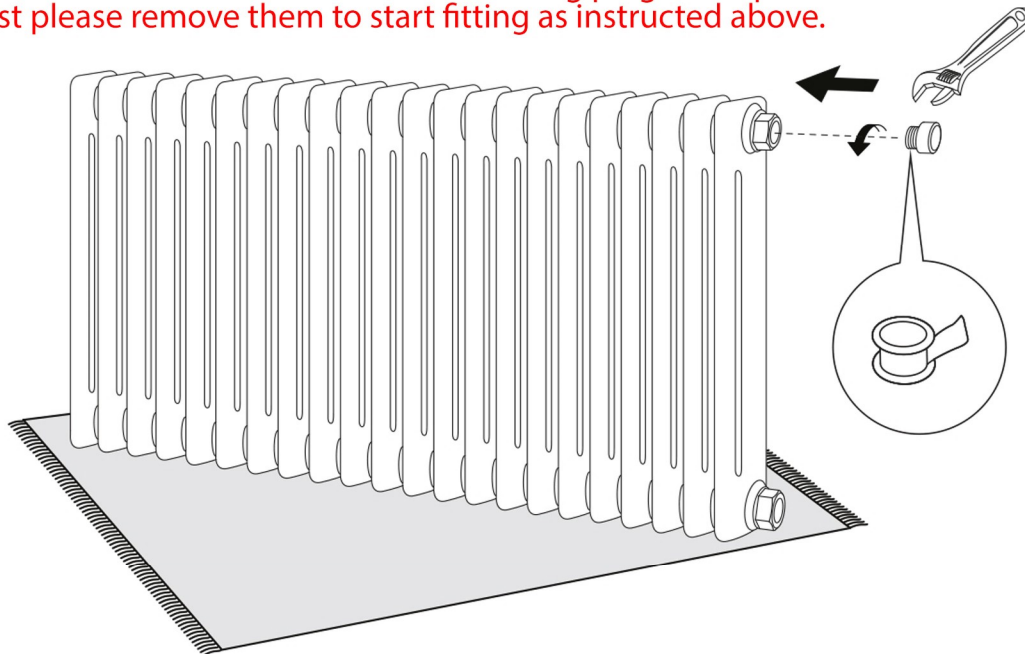
Eastbrook Road, Gloucester Road GL4 3DB  
Technical Helpline : 01452 317890 Mon-Fri / 8am - 5pm  
Email : [technical@eastbrookco.com](mailto:technical@eastbrookco.com)

# INSTALLATION PROCEDURE

4

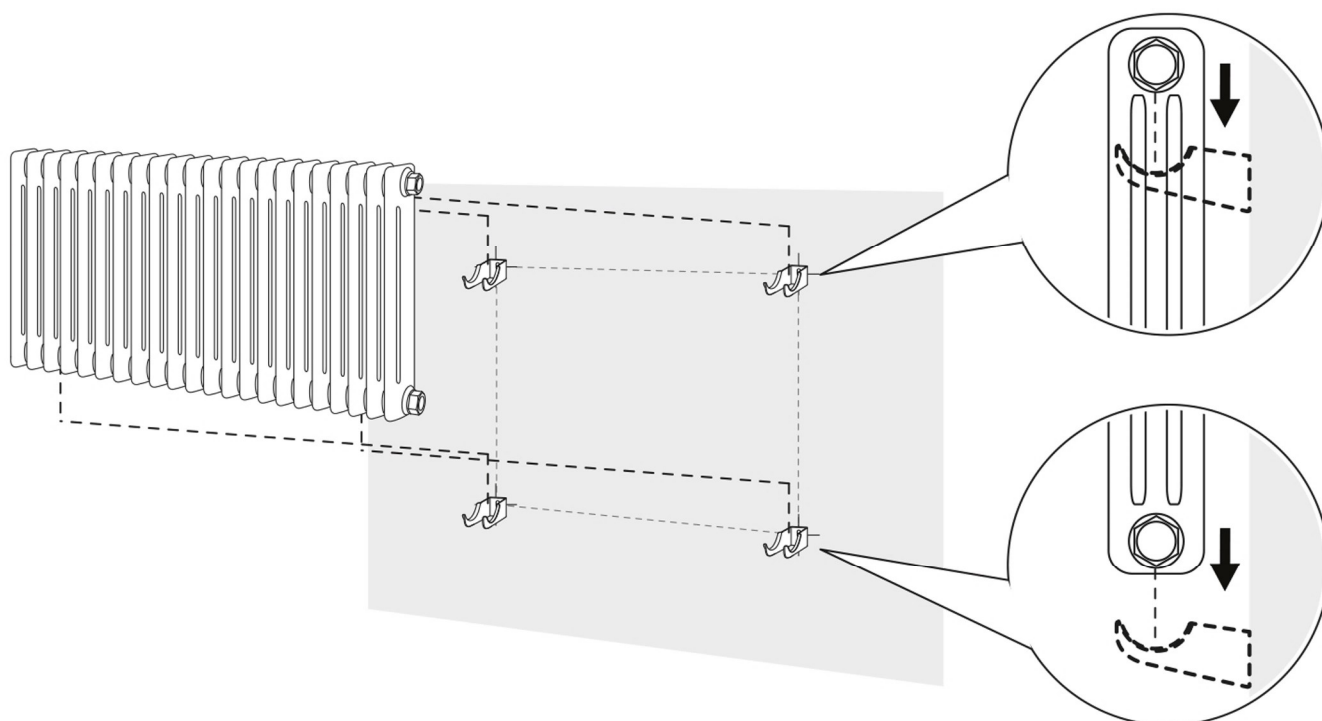
Fix the chrome blanking plug and air vent plug into the top threads of the radiators collectors using PTFE tape. (They can be fitted in either side.) We would recommend that the air vent is fitted in the top opposite corner to the flow. Tighten them firmly with a spanner.

**\* Please note that the air vent and blanking plug come pre-fitted on the radiator. First please remove them to start fitting as instructed above.**



5

Rest the radiator into brackets.

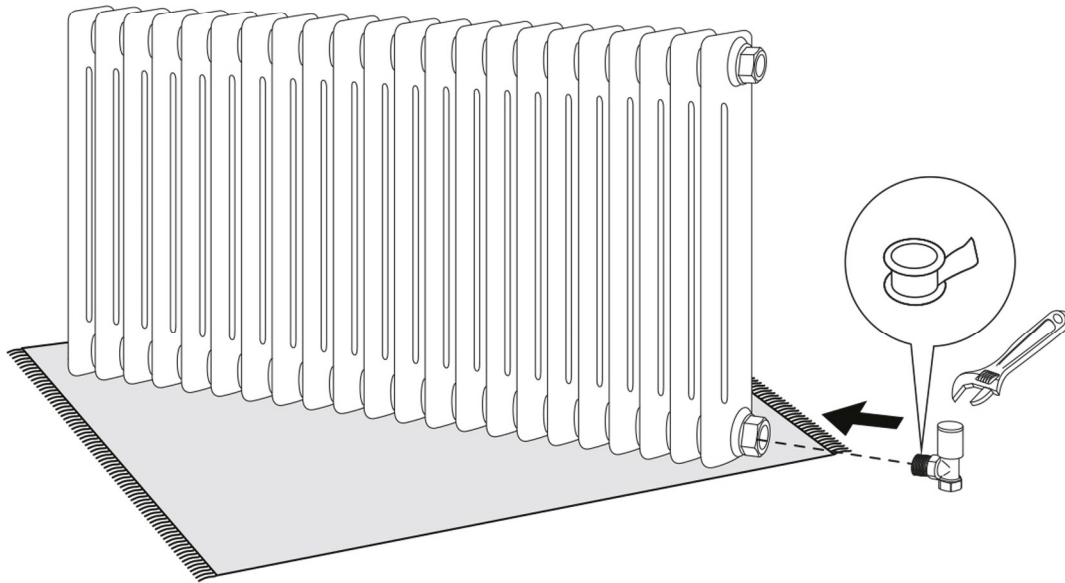


**Eastbrook** 

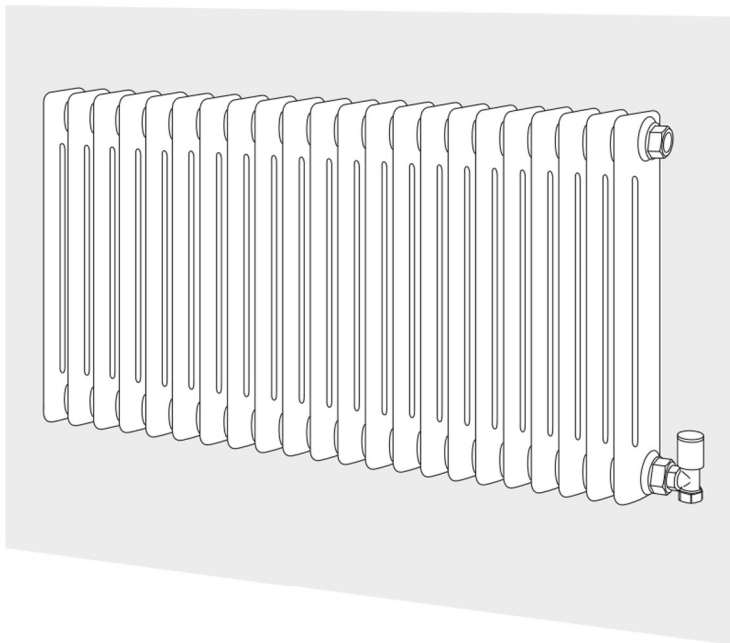
Eastbrook Road, Gloucester Road GL4 3DB  
Technical Helpline : 01452 317890 Mon-Fri / 8am - 5pm  
Email : [technical@eastbrookco.com](mailto:technical@eastbrookco.com)

# INSTALLATION PROCEDURE

- 6** Fix the radiator valve parts (not included) into the two bottom threads radiator by using PTFE tape.



- 7** Connect valves to central heating system, turn on water and bleed the radiator to fill with water .



## AFTER INSTALLATION

Use a screwdriver to open the air vent,open the valve and let the water rush into radiator.

Check all connection for leaks.

Once water overflows from the air vent,there is no air in the tube.

Use a screwdriver to close the air vent,turn on the valve and the radiator is ready for use.

## CARE & CLEANING

Radiators are made from steel and should not be cleaned with corrosive or scouring cleaning agents.

## TROUBLE SHOOTING

When your radiator doesn't function, knowing basic radiator troubleshooting can save you from the stress and the hassles of a non-functioning radiator. Here is a guide to solve the most common problems associated with these electric home heaters.

## WARRANTY & CONDITIONS

Problem	Cause	Action
Cold spots on the radiator unit	-Water is not flowing through radiator properly	1.Check to make sure there is no trapped air inside the radiator. "Bleed" the radiator to release air. 2.Make sure the valve is fully open to allow water to run freely. Some radiator may need diverter for water to flow properly around the unit. 3.When install column radiators with water flow from bottom inlet to bottom outlet, please adjust the outlet valve into half-opening
Leak on the radiator	-Valve nut is loose -Welding problem	-Tighten the valve nut -Replace radiator
Sound of whistling or water whooshing	-Radiator was not properly balanced when it was installed	-Re-install
Clanking sound	-The radiator was installed in a space that doesn't allow for pipe expansion	-Re-install

**Eastbrook** 

Eastbrook Road, Gloucester Road GL4 3DB  
Technical Helpline : 01452 317890 Mon-Fri / 8am - 5pm  
Email : technical@eastbrookco.com





## **CONGRATULATIONS**

You are the proud owner of an exclusive Rivassa Column Radiator which has been specially produced by our craftsmen who would wish you to enjoy many years of satisfaction from it.

## **INSTALLATION**

This product must be installed by a fully qualified engineer.

- Please consider using an Eastbrook Valve Set – this will ensure that your radiator looks its best with matching radiator valves.
- On commissioning, flush the central heating system thoroughly using a proprietary solution to ensure that aggressive substances such as fluxes and manufacturing residue, from which internal surfaces of your radiator can sustain irreparable damage – are removed. It is further recommended that an appropriately approved corrosion inhibitor be subsequently added to the heating system in order to protect the radiator and other parts of the central heating system to promote extended operating lifespan.

## **MAINTENANCE**

- From time to time it is advisable to clean your towel rail with a warm damp cloth. Never use any form of abrasive cleaner or chemical.
- Corrosion inhibitor must also be regularly maintained, please consult your engineer for details.

## **IMPORTANT**

Maximum working pressure of this radiator is 4 bar.

Rivassa Column Radiator is not suitable for use on direct central heating systems. Please consult your engineer or supplier.

## **WARRANTY**

Your Rivassa Column Radiator is fully warranted for five years in respect of defective materials and workmanship and subject to installation being carried out by a qualified engineer in accordance with good practice and corrosion inhibitors being regularly maintained.

**REMEMBER** ..... Excellence is worth looking after.