

## DATASHEET

### Image



### General Information

Product:	12.062
Description:	Corner Manual Dual Fuel Radiator Valves (pair)
Website Link:	<a href="#">(Click Here)</a>
Product Type:	Radiator Valve
Brand:	Eastbrook Company
Colour:	Chrome
Net Weight (kg):	0.685kg
Product Range:	Radiator Valves

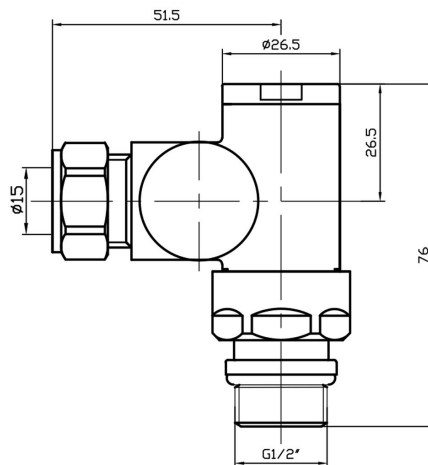
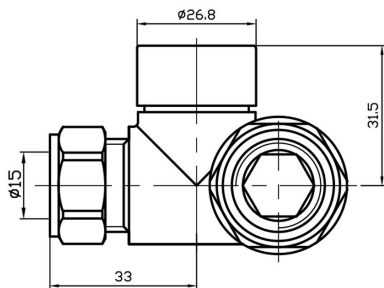
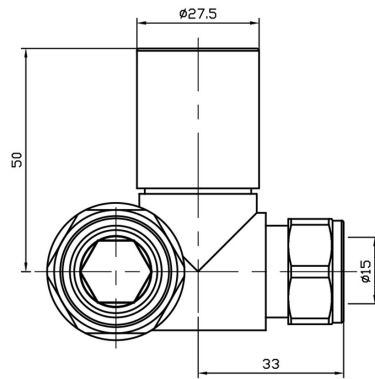
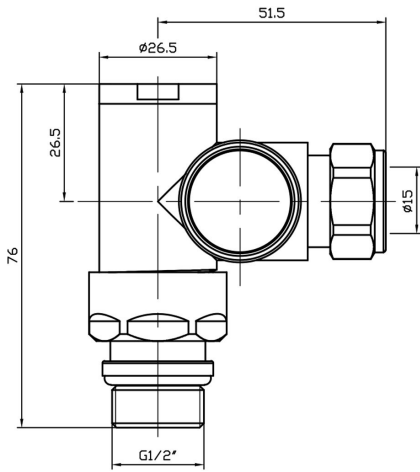
### Product Specifications

Warranty:	2 Year(s)
Valve Types:	Dual Fuel

## Drawing

**12.062**  
**12.063**  
**12.064**  
**12.065**  
**12.066**  
**Technical Drawing**

### Corner Manual Dual Fuel Valves Technical Drawing



**Eastbrook **  
Eastbrook Road, Gloucester GL4 3DB  
Technical Helpline : 01452 317890  
Mon - Fri / 8am - 5pm  
Email : technical@eastbrookco.com