

DATASHEET

Image



General Information

Product:	41.1028
Description:	Avon 960 x 429
Website Link:	(Click Here)
Product Type:	Towel Rail
Brand:	Eastbrook Company
Colour:	Chrome/Matt Anthracite
Material:	Mild Steel
Height (mm):	960mm
Width (mm):	429mm
Net Weight (kg):	12.5kg
Product Range:	Avon

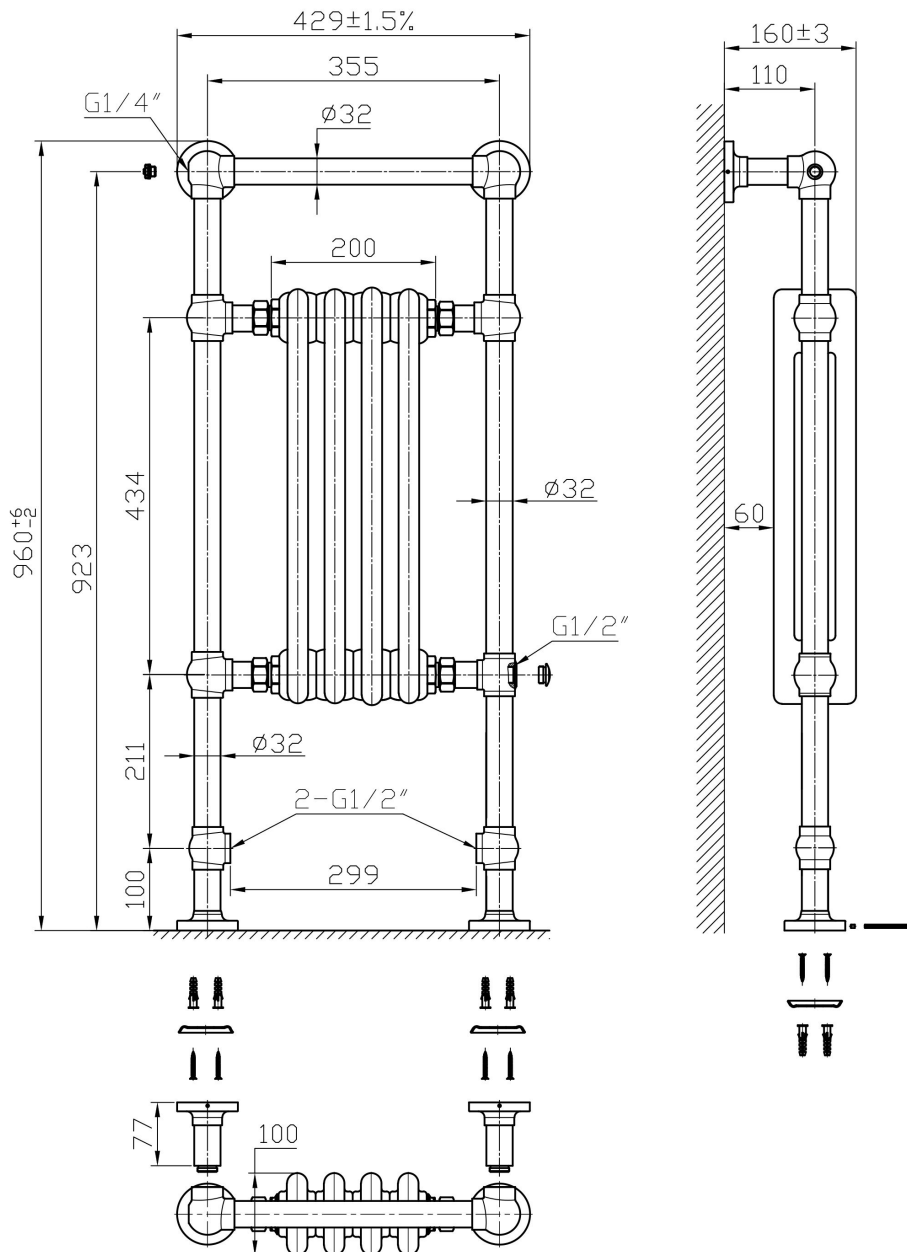
Product Specifications

Warranty:	5 Year(s)
Supplied with fixings:	Yes
Orientation:	Floor Standing
BTU $\Delta T50^{\circ}\text{C}$:	1199
BTU $\Delta T60^{\circ}\text{C}$:	1535
Watts $\Delta T50^{\circ}\text{C}$:	352
Watts $\Delta T60^{\circ}\text{C}$:	450

Drawing

Avon Traditional Towel Rail 960 x 429mm. Technical Drawing

Unit:mm



Tappings : 299mm.
Tappings from wall : 110mm.
Distance from wall : 160mm.

Eastbrook 
Eastbrook Road, Gloucester GL4 3DB
Technical Helpline : 01452 317890
Mon - Fri / 8am - 5pm
Email : technical@eastbrookco.com