

16

15

14

13

12

11

10

9

8

7

6

5

4

3

2

1

M

L

K

J

H

G

F

E

D

C

B

A

M

L

K

J

H

G

F

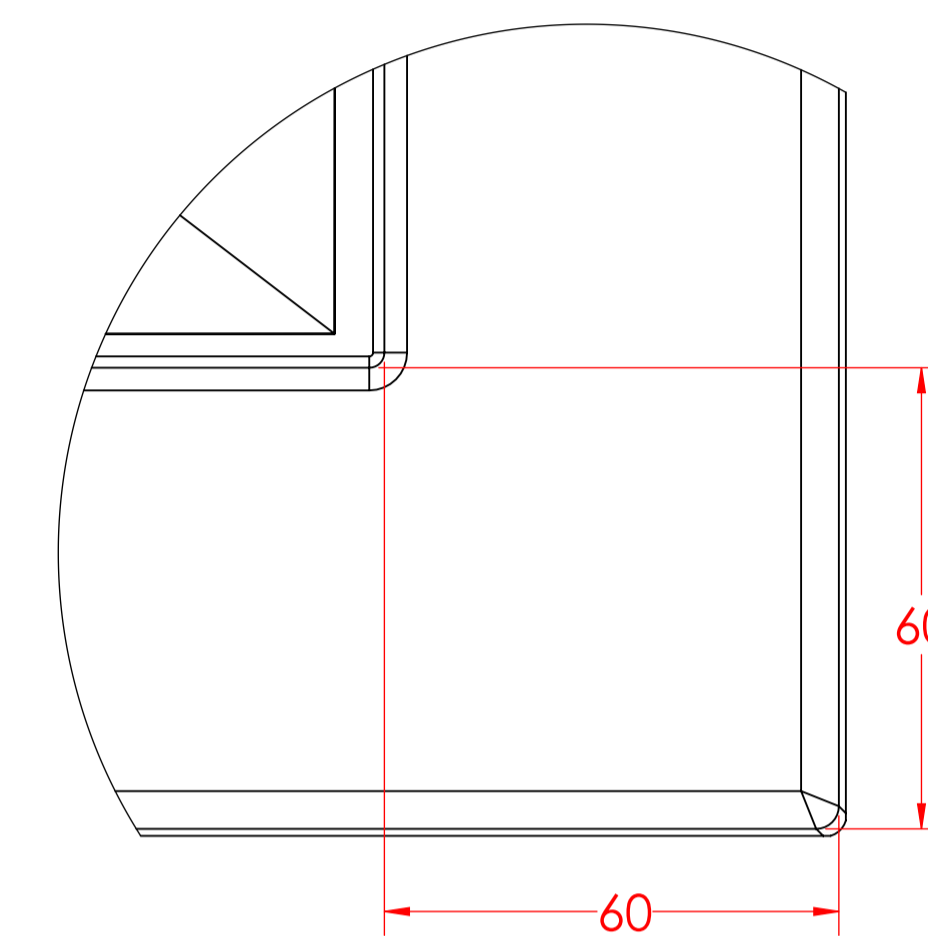
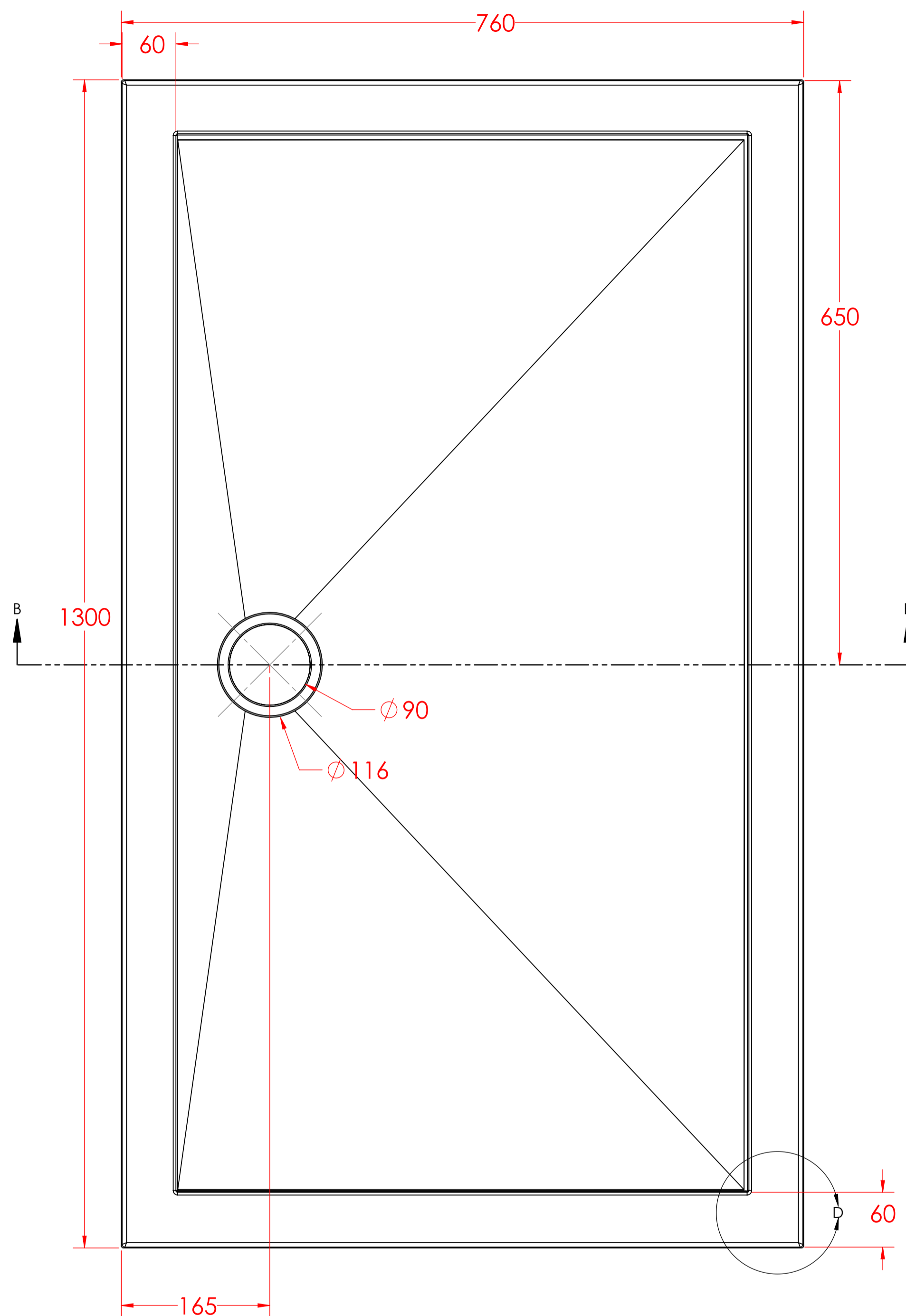
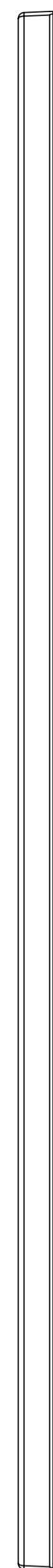
E

D

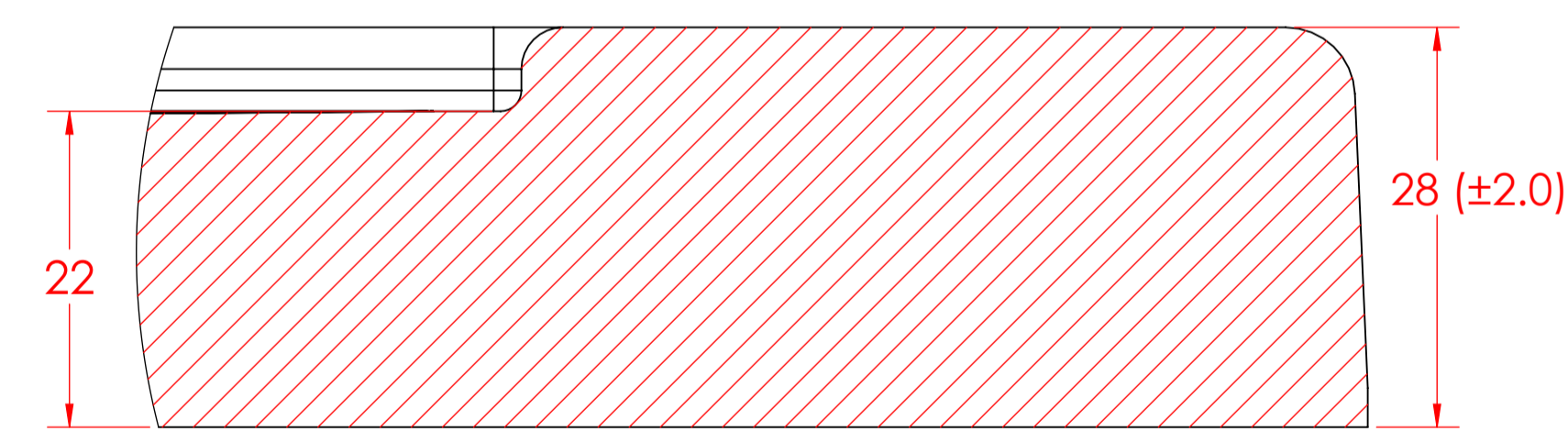
C

B

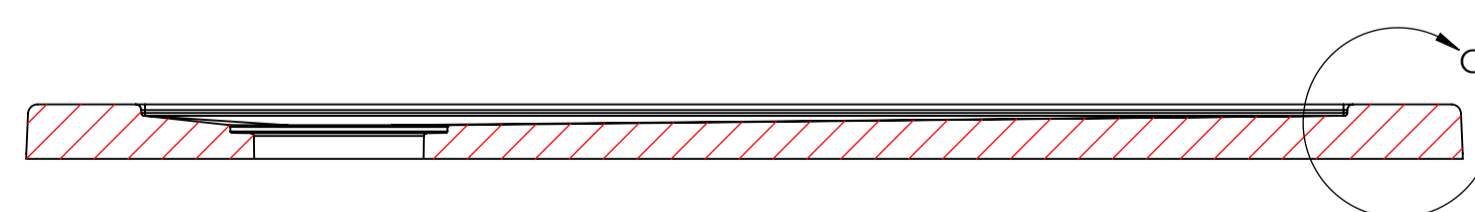
A



DETAIL D
SCALE 1 : 1



DETAIL C
SCALE 2 : 1



SECTION B-B
SCALE 1 : 4

16

15

14

13

12

11

10

9

8

7

6

5

4

3

2

1