

16

15

14

13

12

11

10

9

8

7

6

5

4

3

2

1

M

M

L

L

K

K

J

J

H

H

G

G

F

F

E

E

D

D

C

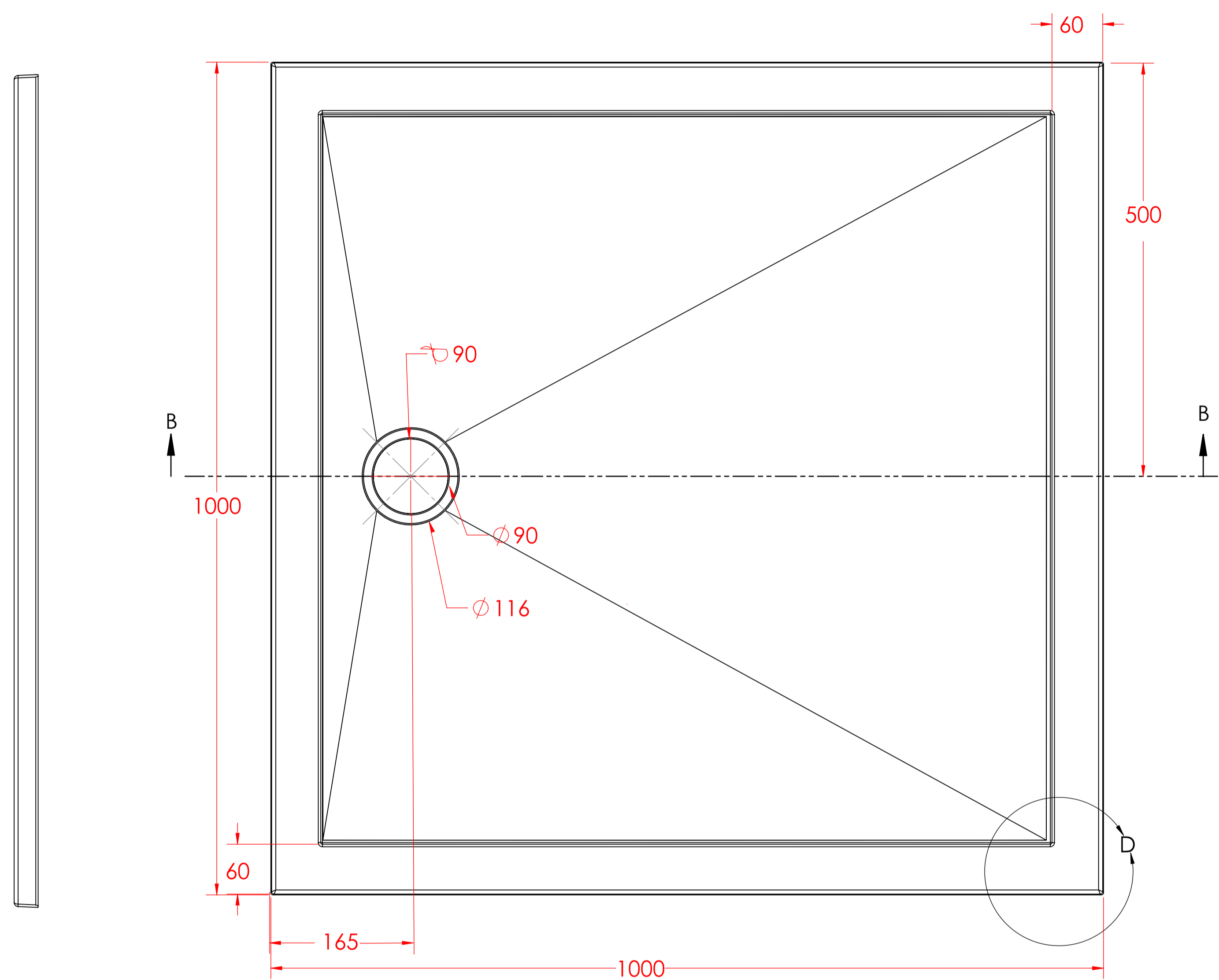
C

B

B

A

A



B

B

1000

500

60

165

1000

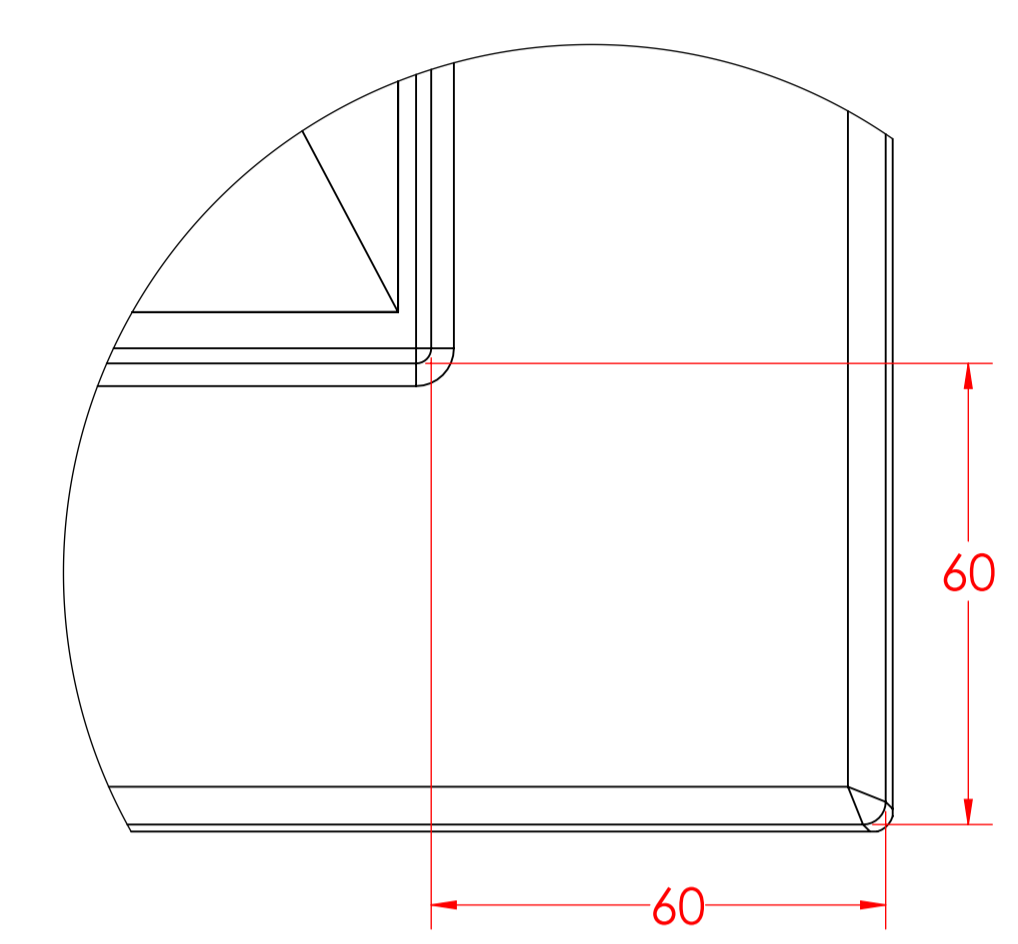
60

$\phi 90$

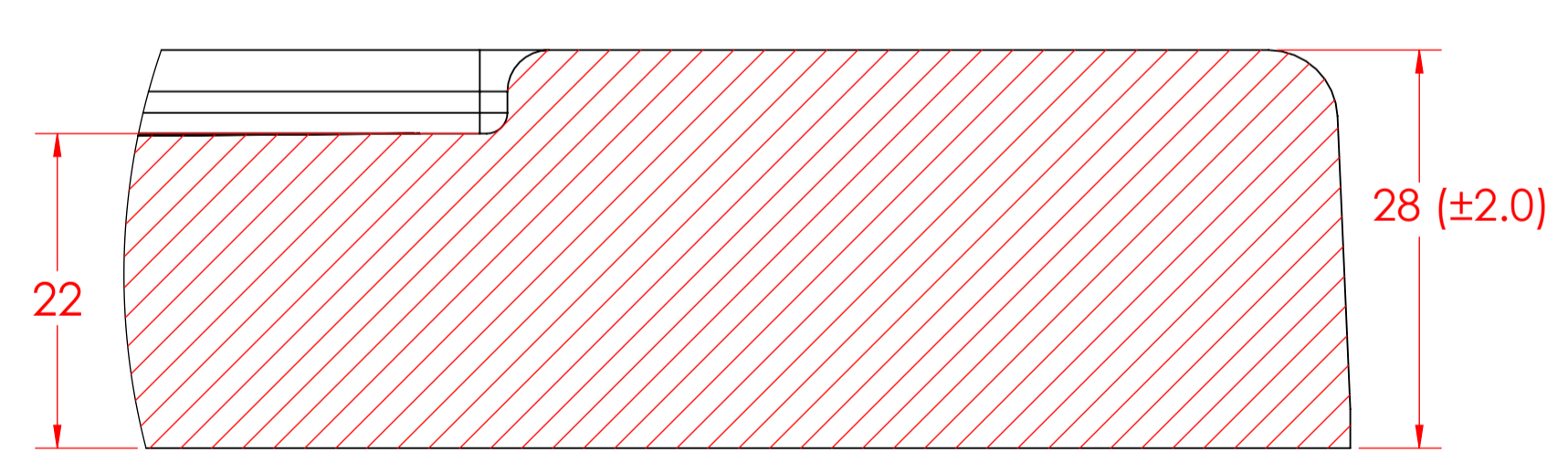
$\phi 90$

$\phi 116$

D



DETAIL D
SCALE 1 : 1



DETAIL C
SCALE 2 : 1

SECTION B-B
SCALE 1 : 4