

16

15

14

13

12

11

10

9

8

7

6

5

4

3

2

1

M

M

L

L

K

K

J

J

H

H

G

G

F

F

E

E

D

D

C

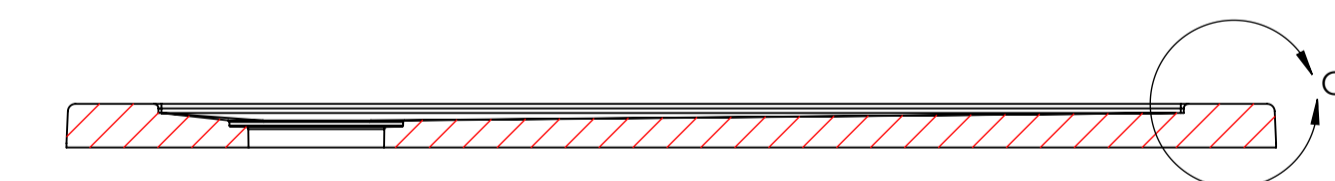
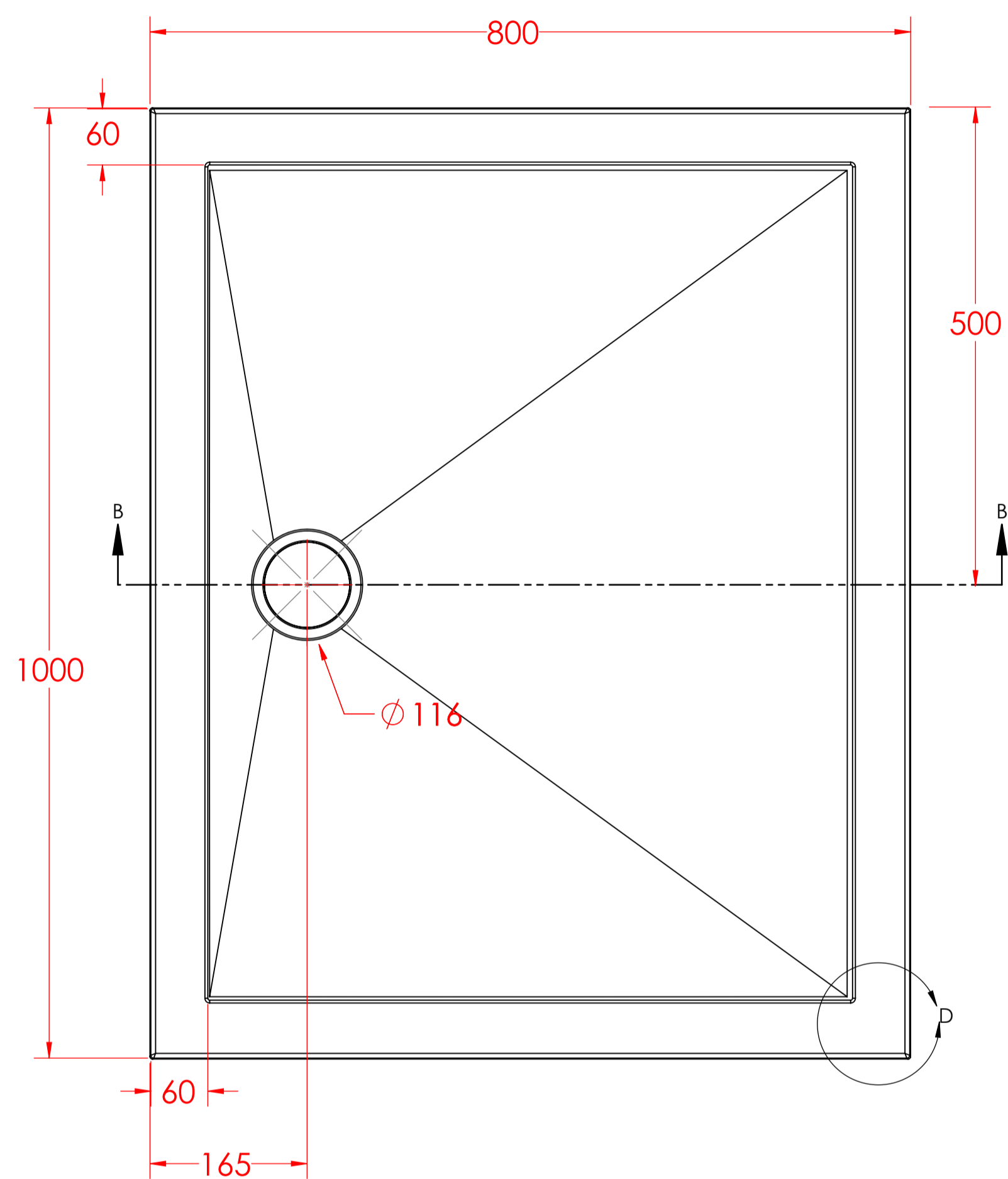
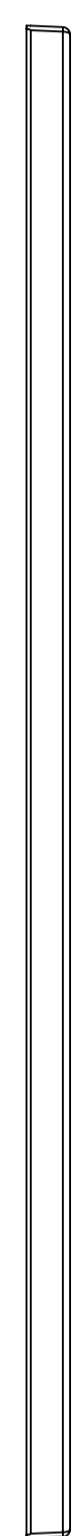
C

B

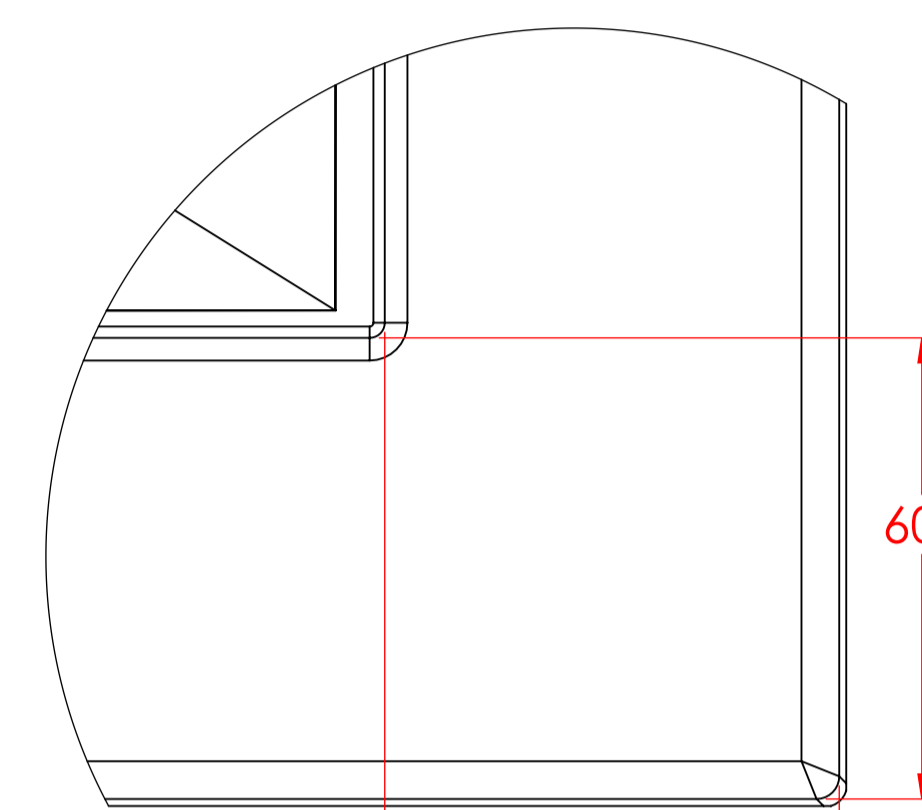
B

A

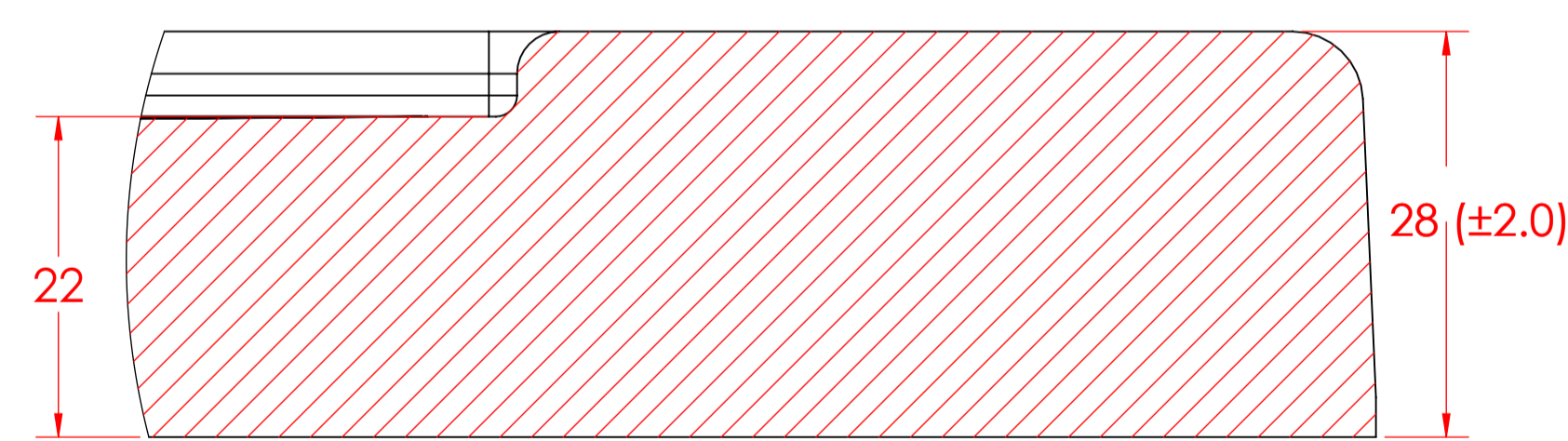
A



SECTION B-B  
SCALE 1 : 4



DETAIL D  
SCALE 1 : 1



DETAIL C  
SCALE 2 : 1

16

15

14

13

12

11

10

9

8

7

6

5

4

3

2

1