

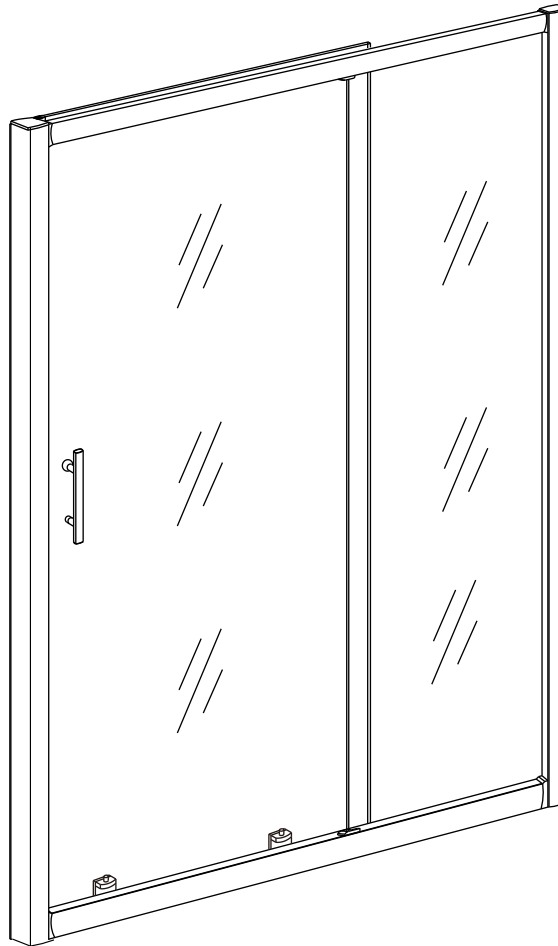
Eastbrook

INSTALLATION MANUAL

VOLENTE SLIDER

Eastbrook Code	Adjustment	Eastbrook Code	Adjustment
58.204	960-1000	58.201	1460-1500
58.205	1060-1100	58.202	1560-1600
58.206	1160-1200	58.203	1660-1700
58.200	1260-1300	58.208	1760-1800
58.207	1360-1400	58.209	1960-2000

This product should only be fitted by a fully qualified installer.

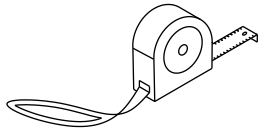


The product should be unpacked and checked for quality prior to install.

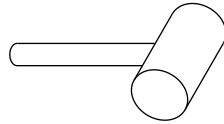
Any missing parts or damage must be reported to your supplier within 10 days of purchase and before installation

No claims can be enforced outside of these terms.

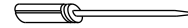
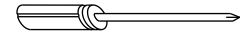
TOOLS REQUIRED



TAPE MEASURE



RUBBER HAMMER



FLAT AND CROSS
HEAD SCREWDRIVERS



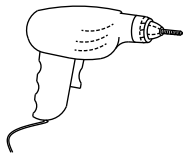
SPIRIT LEVEL



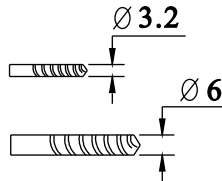
SILICONE & GUN



PENCIL



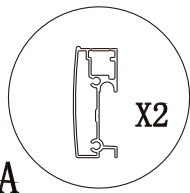
ELECTRIC DRILL



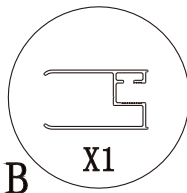
DRILL BIT



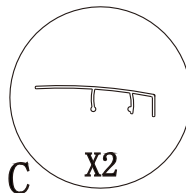
PACKING LIST



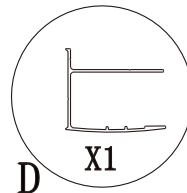
A



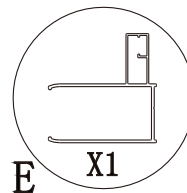
B



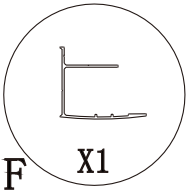
C



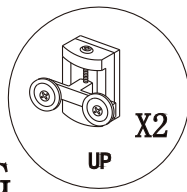
D



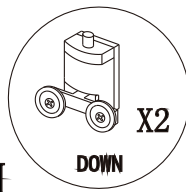
E



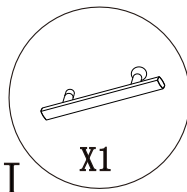
F



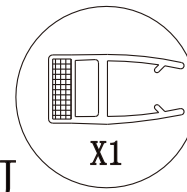
G



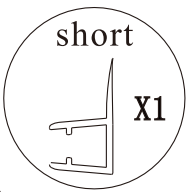
H



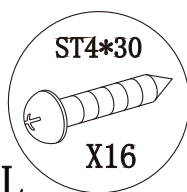
I



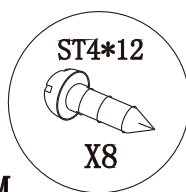
J



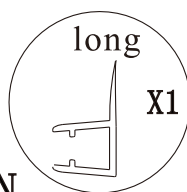
K



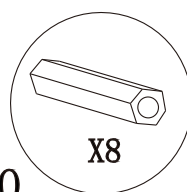
L



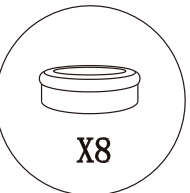
M



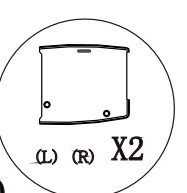
N



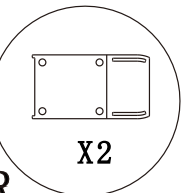
O



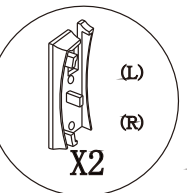
P



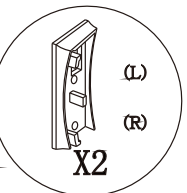
Q



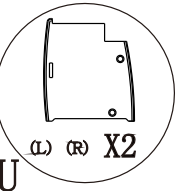
R



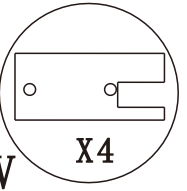
S



T

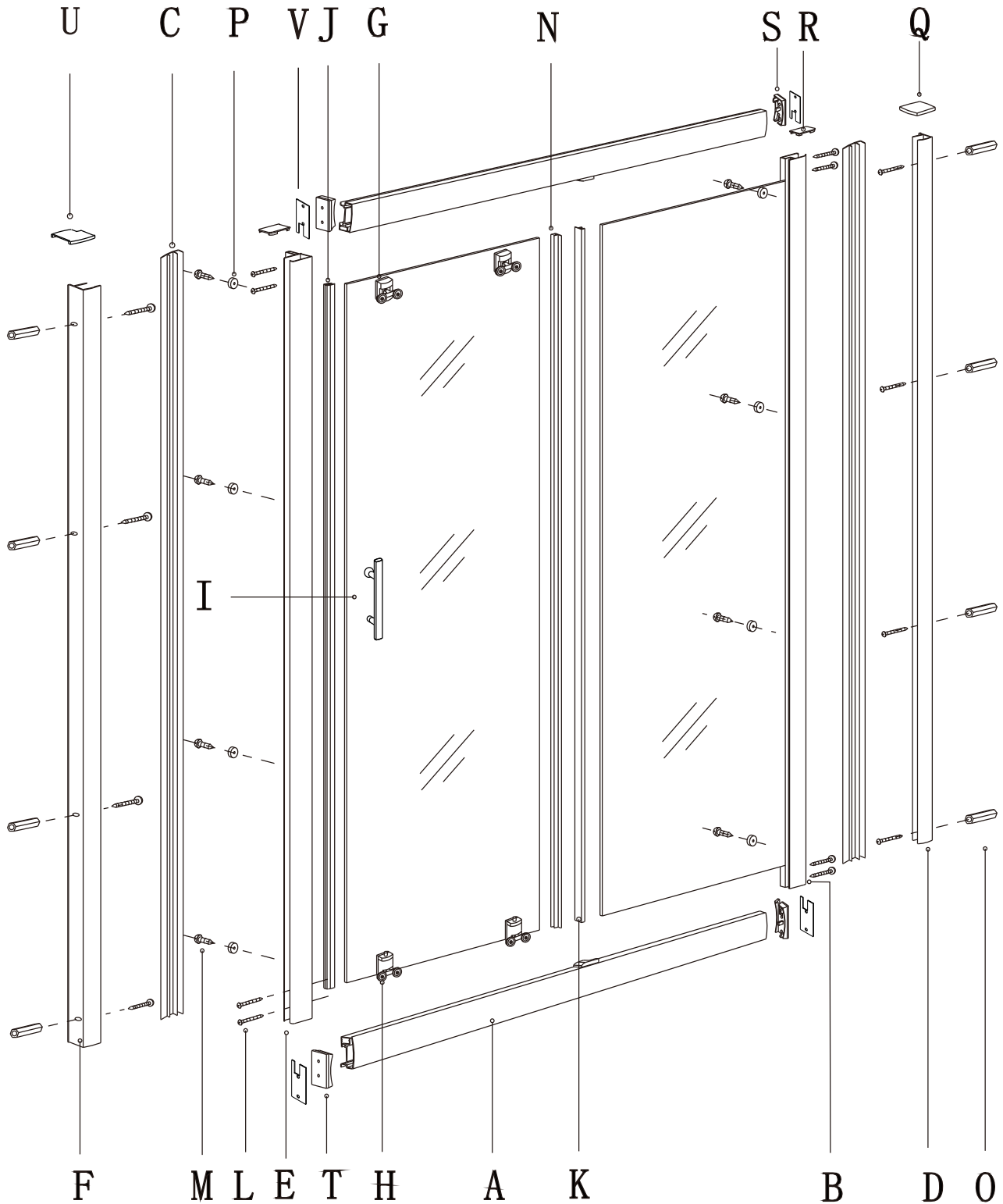


U



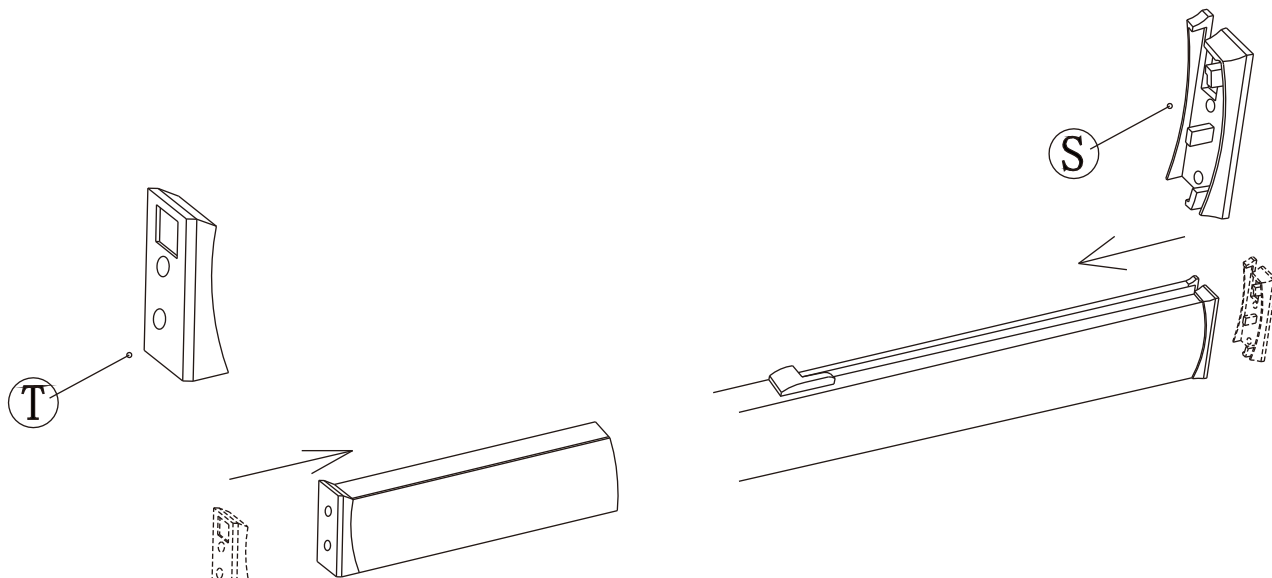
V

PRODUCT SCHEMATIC DIAGRAM

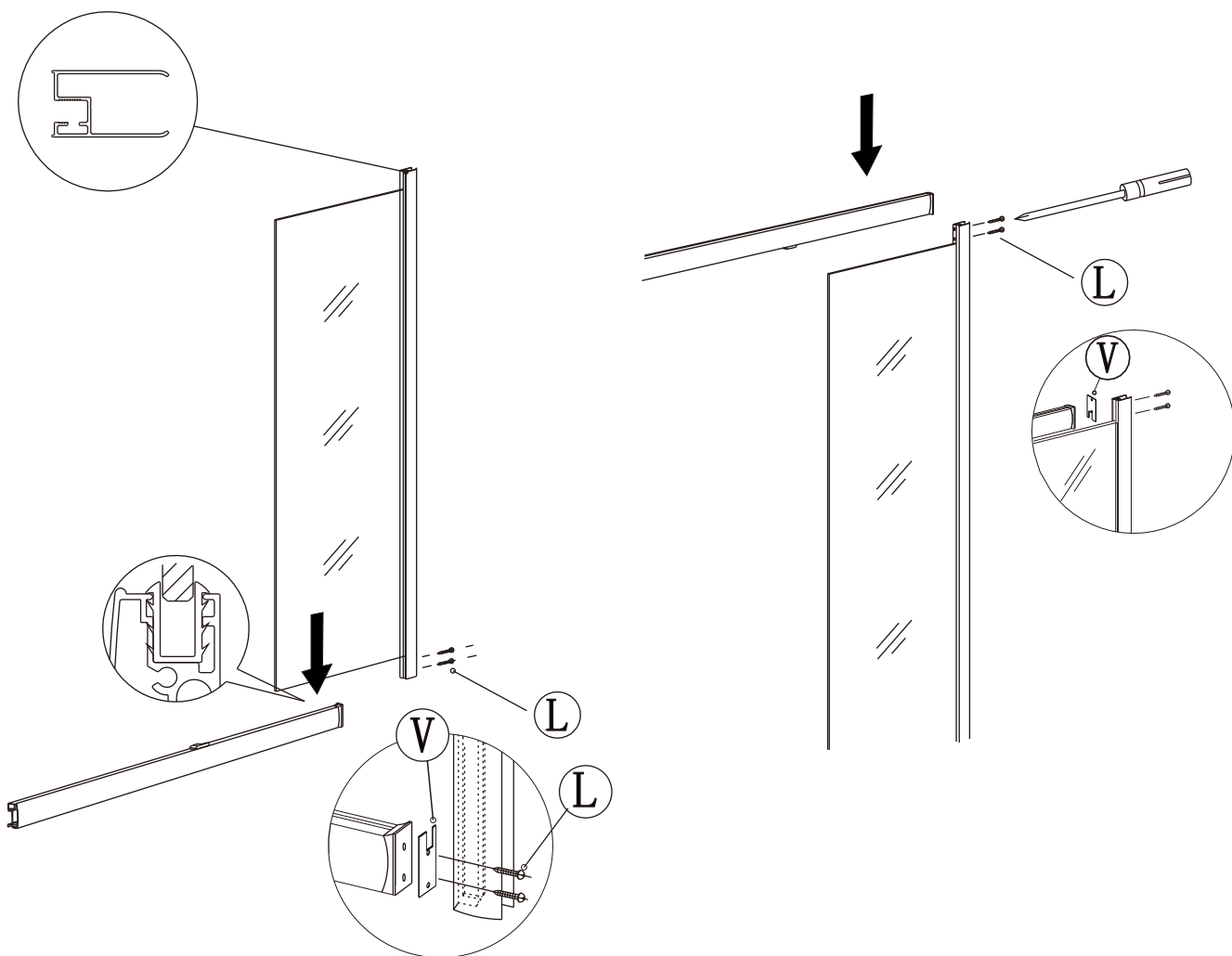


Please make the following checks before commencing installation :

- The product supplied is the required size and adjustment is compatible with the site situation
- Check all component parts are present; see packing list and product schematic diagram for reference.
- Make sure you have all the tools required.

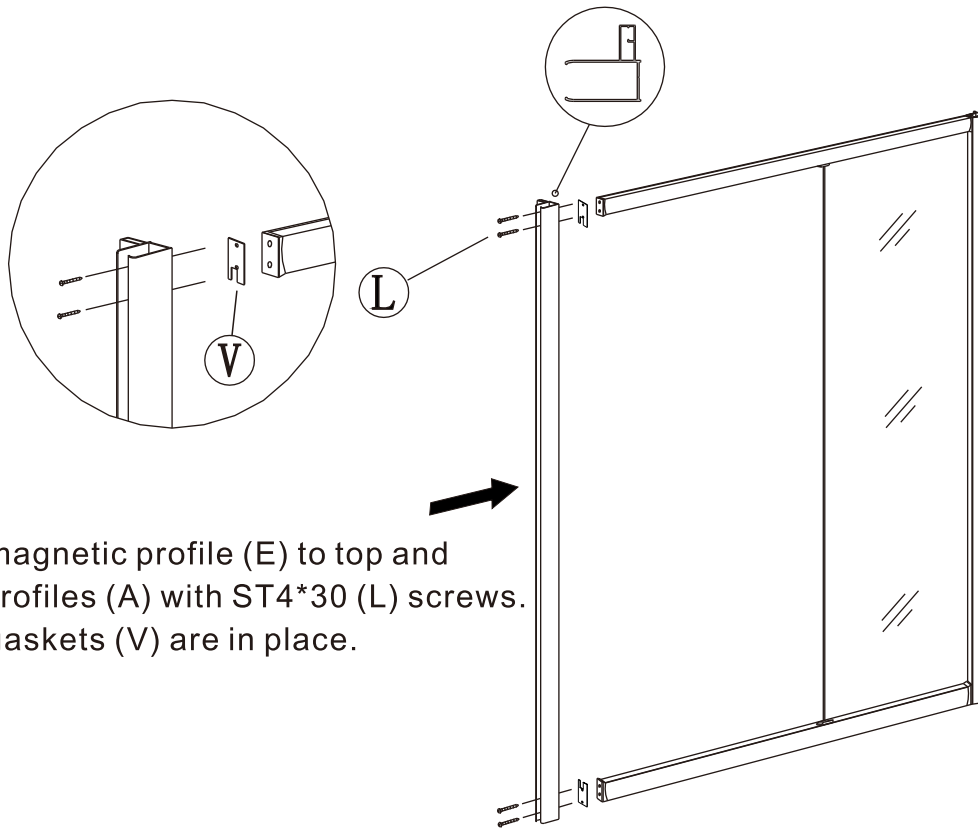


Connect parts (S) and (T) onto the ends of profiles (A).

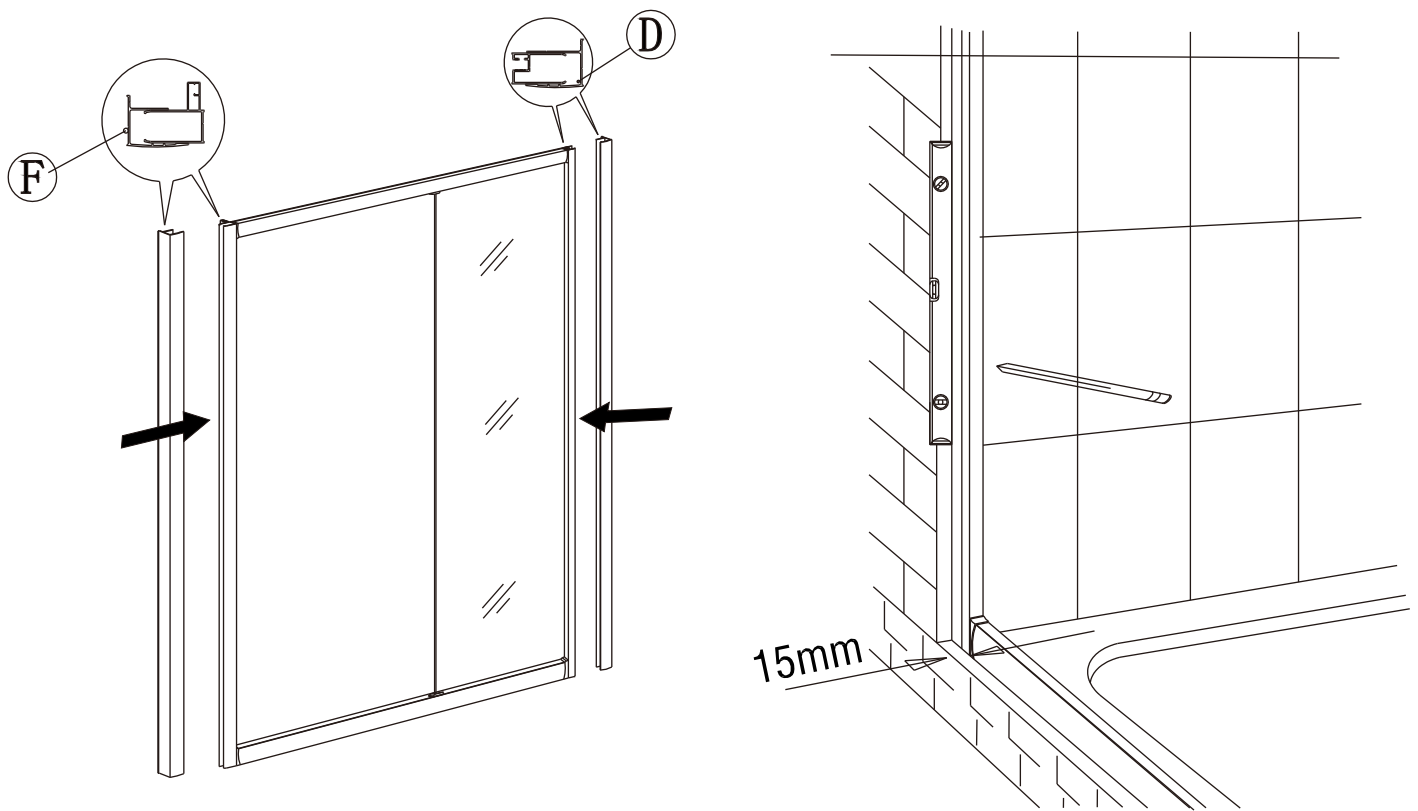


Secure fixed glass panel to top and bottom profiles (A) with ST4*30 (L) screws. Ensure gaskets (V) are in place.

(1)

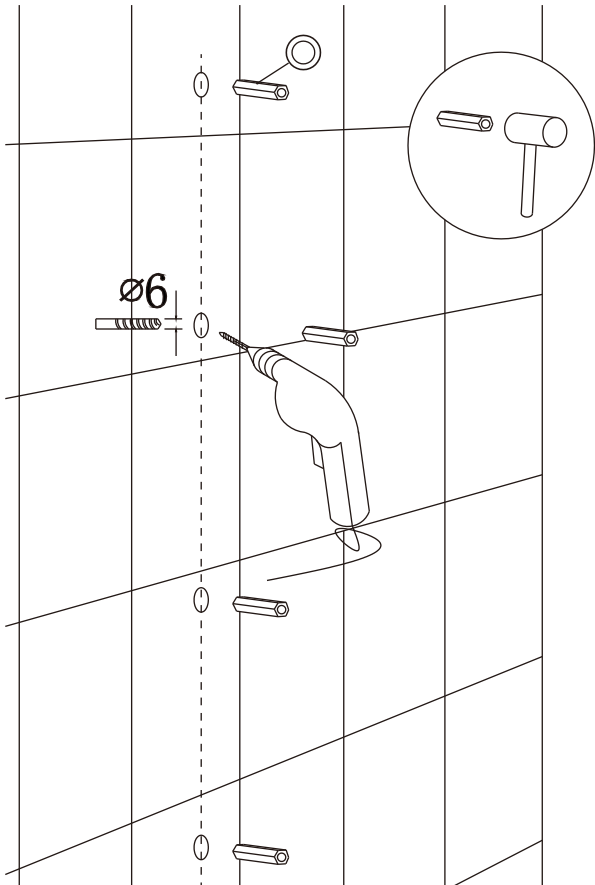


Secure magnetic profile (E) to top and bottom profiles (A) with ST4*30 (L) screws. Ensure gaskets (V) are in place.



Place wall profiles (F) and (D) onto ends of slider frame as shown. Lift into position level and mark wall profile fixing holes.

(2)

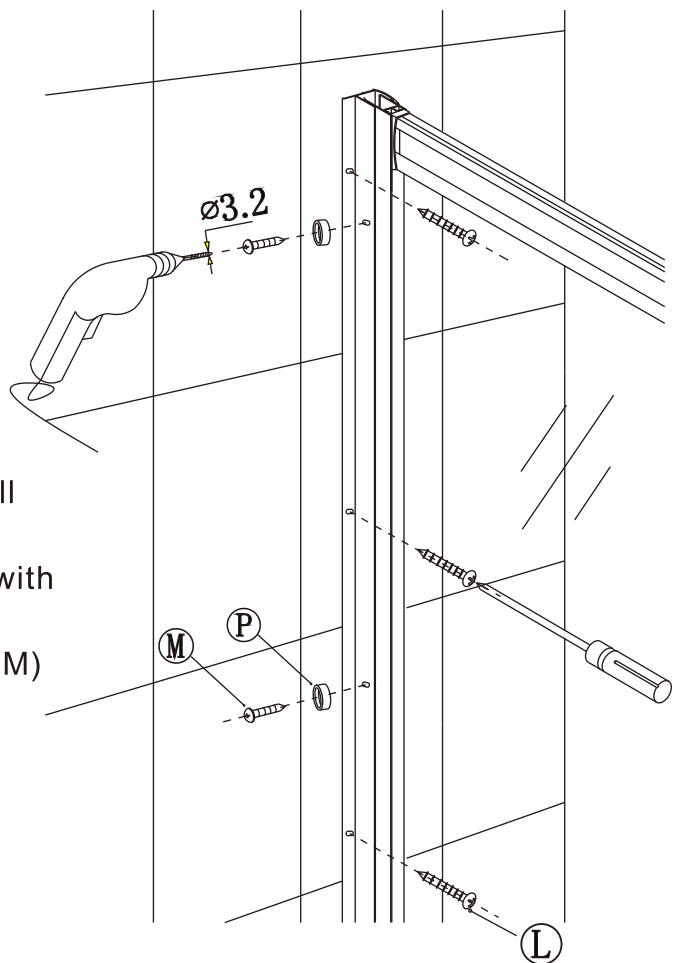


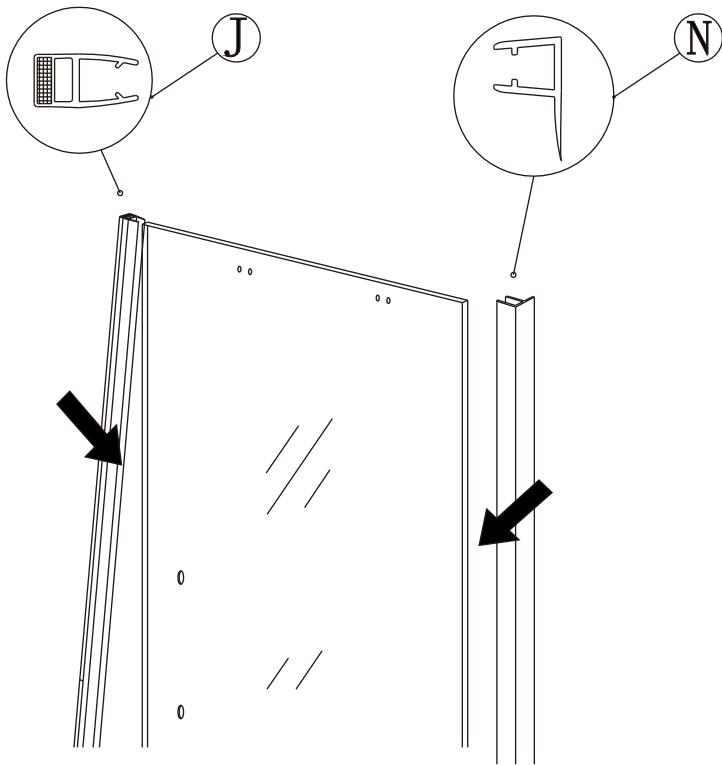
Drill fixing holes in wall with 6mm bit.
Fit wall plugs (O).
Please substitute for suitable hollow wall fixings if installing onto a stud wall.

Lift slider into position and secure onto wall with ST4*30 (L) screws.

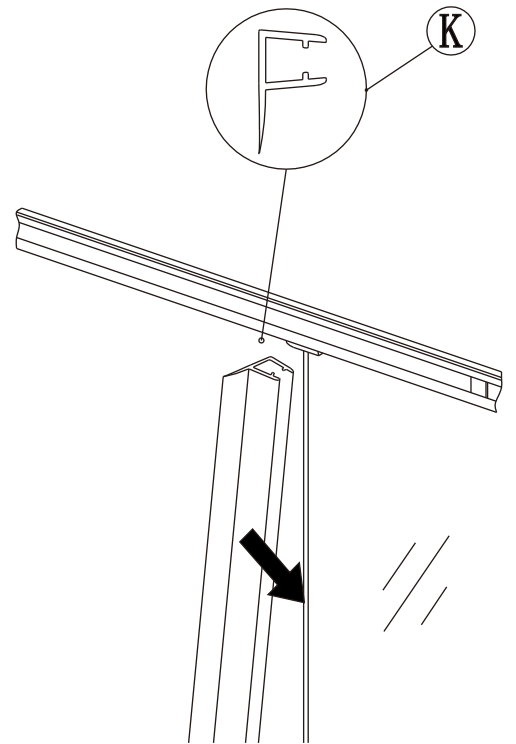
Position slider as required and drill frame with 3.2mm bit.

Secure slider to wall profiles with ST4*12 (M) screws and washers (P).

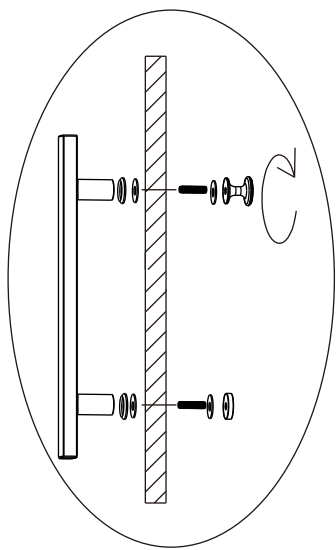




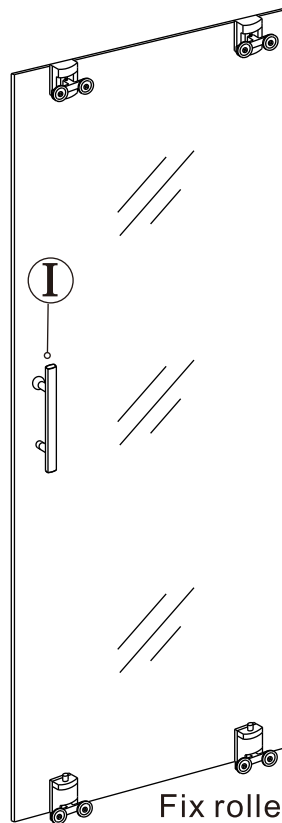
Fix magnetic seal (J) and anti-water strip (N) onto door.



Fixed anti-water strip (K) onto fixed glass panel.

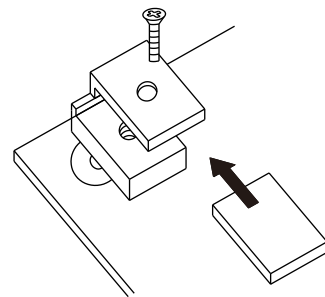


Secure handle (I) to door.

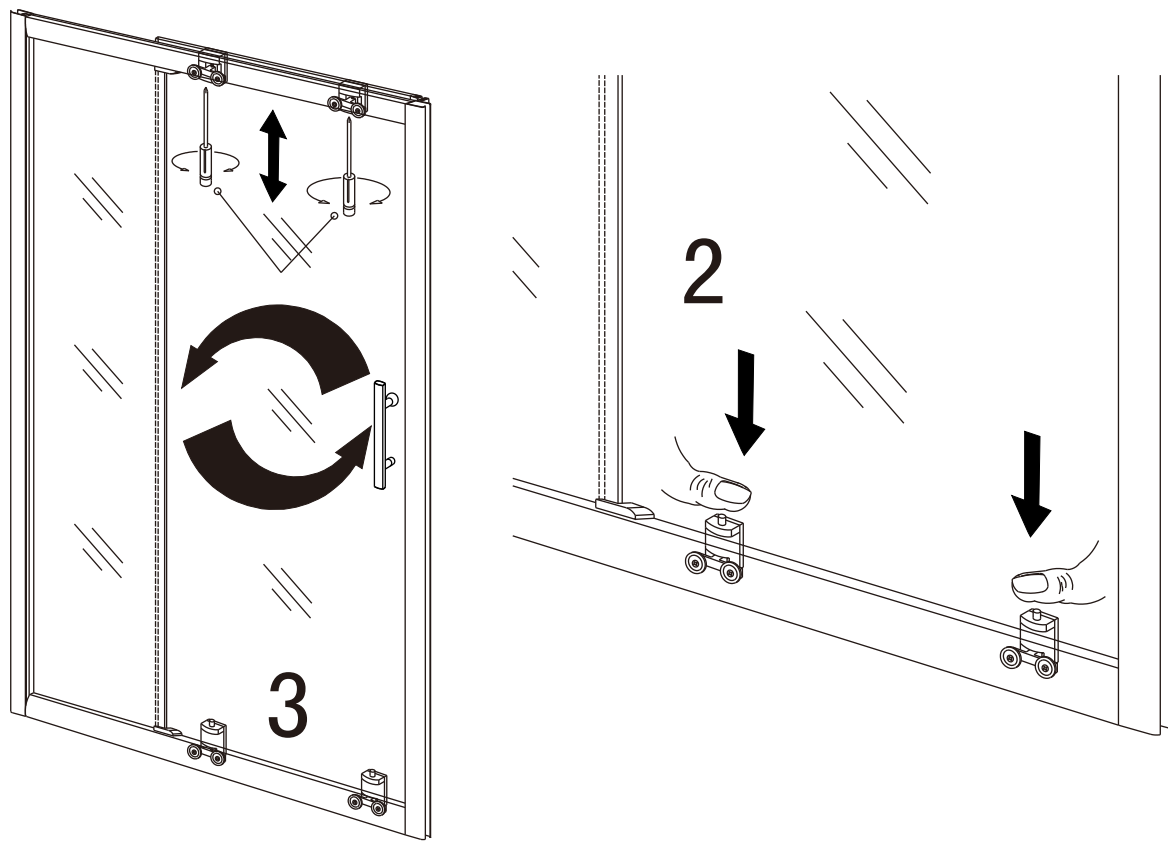
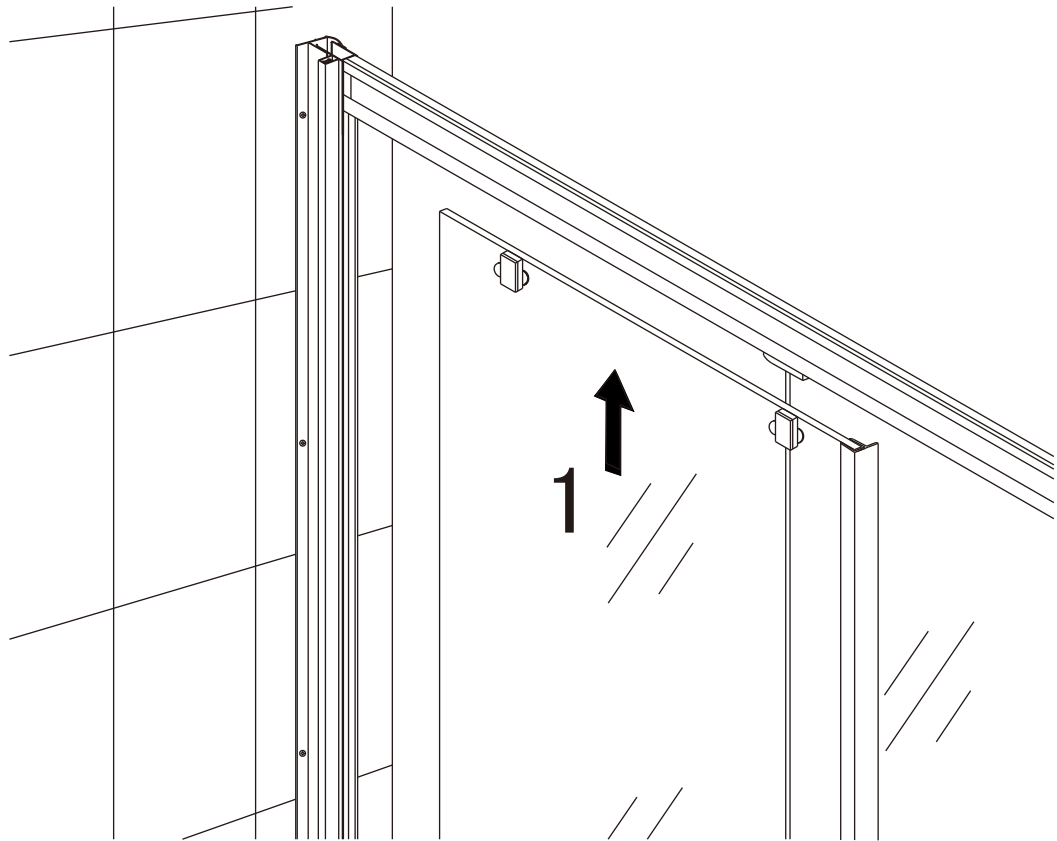


Fix rollers (G) to top of door and bottom rollers (H) to bottom of door.

UP



DOWN

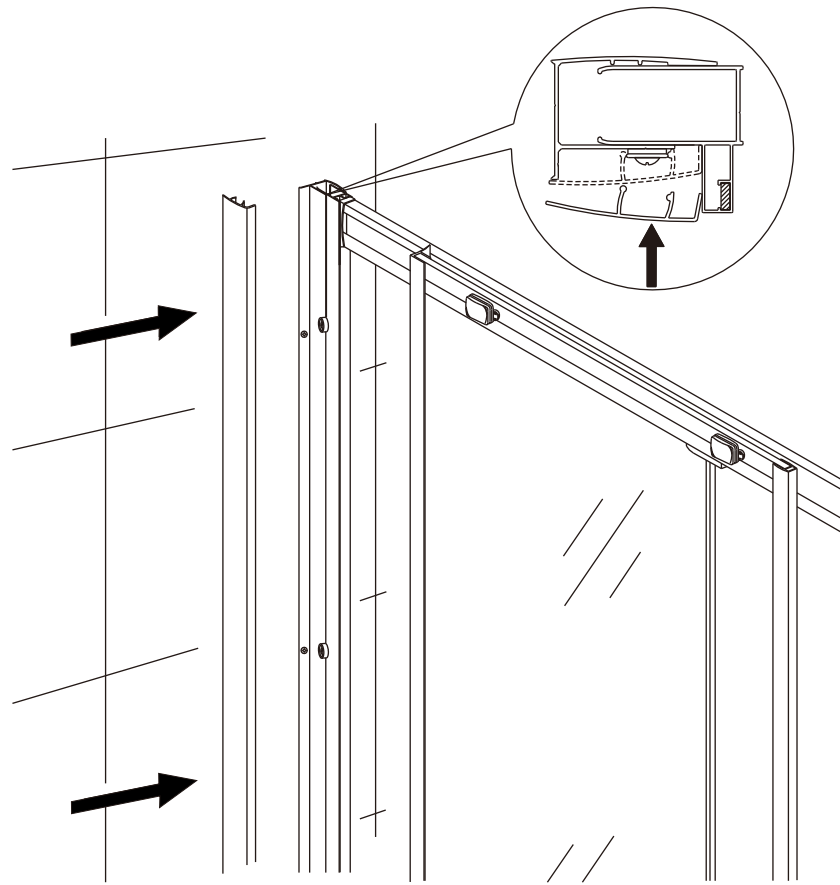


Lift top rollers onto top rail.

Push down on bottom rollers and click into bottom rail of frame.

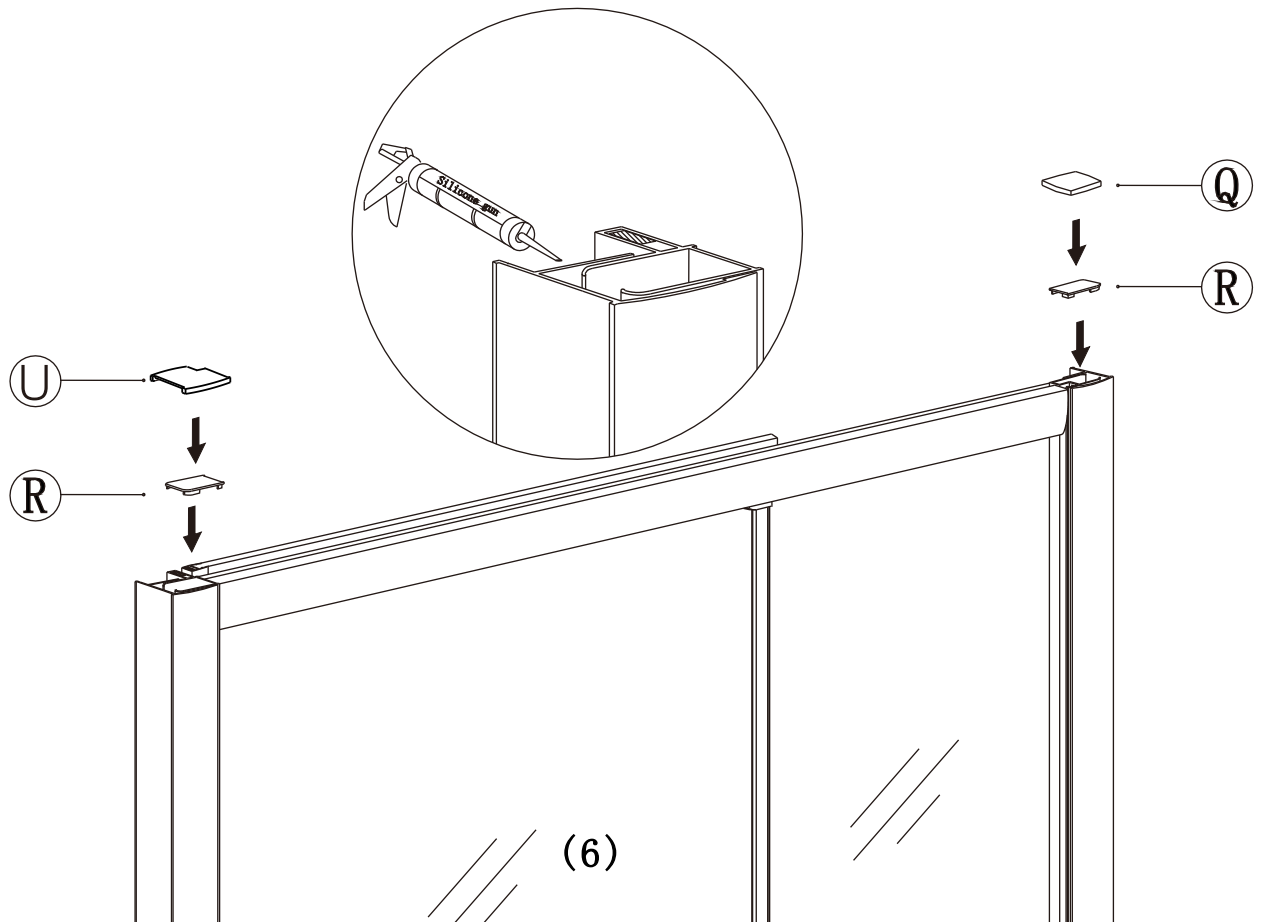
Adjust rollers as required.

(5)

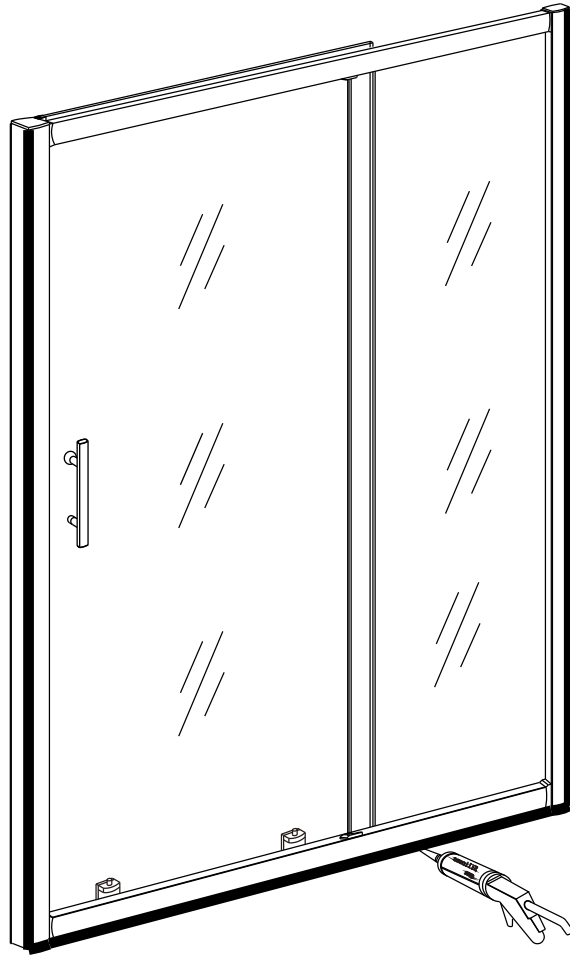


Clips screw cover profiles (C) onto washer (P).

Add a bead of silicone to top of profiles and frame.
Secure cover caps (R) and (Q) as shown.



(6)



Please ensure silicone sealant is on the outside only as shown.
Please ensure silicone sealant is on the outside only.

Eastbrook

Eastbrook Road, Gloucester GL4 3DB
Technical Helpline: 01452 317890
email: technical@eastbrookco.com

Cleaning and Maintenance of Shower Enclosures

Do not clean the shower enclosure with irritant detergents such as alcohol, bleach or other chemical cleaners.

Only clean with mild soapy water or a proprietary cleaner where the label advises it is suitable for the materials the enclosure is constructed from, test on a small area first.

For treating limescale we would recommend distilled vinegar in a half and half solution with water.

Following installation should you find that there is a notable noise when the glass door moves you may add a small amount of silicone lubricant onto the roller wheels and tracks, hinges or clips.

It is the responsibility of the product owner to maintain the product as recommended above. Also to check for parts which have broken or become loose to protect against failure of the enclosure.