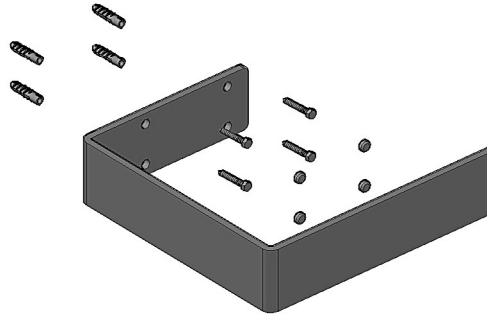


Guardia Towel Hanger Instructions

* Must be fitted by a fully qualified installer

BOX CONTENTS

- Towel Hanger x 1
- Screws x 4
- Wall Plugs x 4
- Screws covers x 4

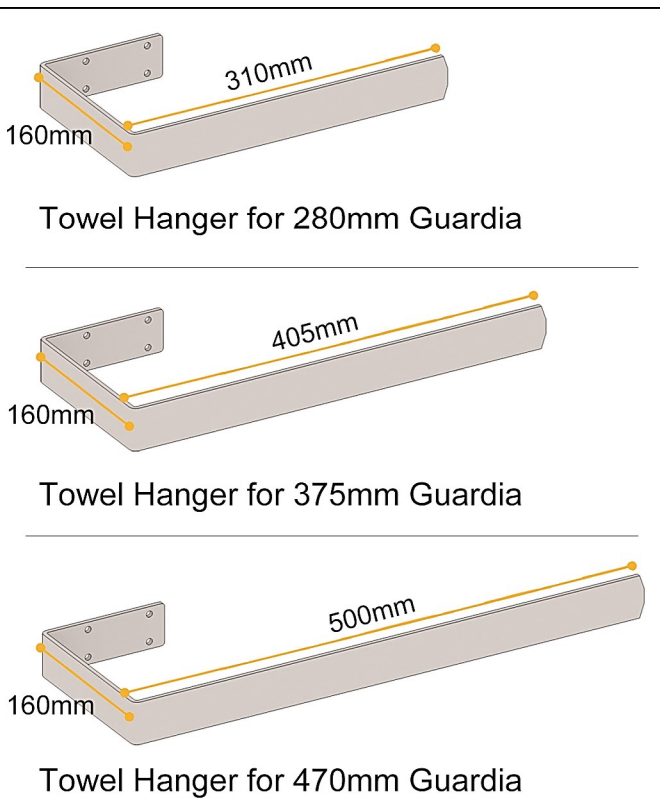
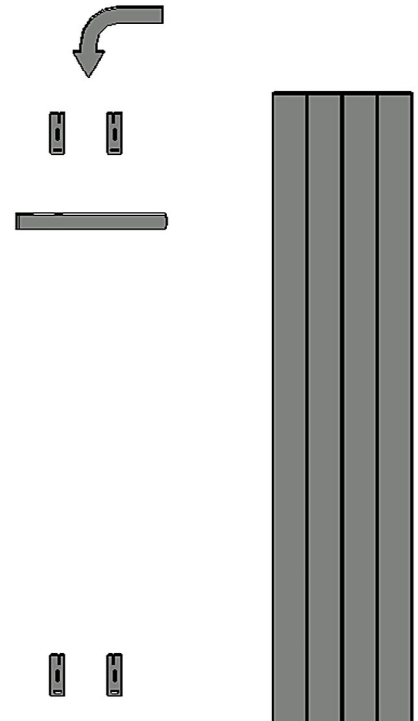


STEP 1 : Fit the Guardia radiator wall brackets to the wall so that you know the position the radiator will be in.

STEP 2 : Fit the Guardia towel hanger/hangers (you can fit more 1 towel hanger) on the wall. For the towel hanger to fit flush with the edge of the radiator, a 30mm gap will need to be left on the fixing side as shown in the image.



STEP 3 : Slide the Guardia radiator behind the towel hanger/hangers, slightly higher than the wall brackets, then bring down to hang the radiator on the brackets.



Eastbrook 
Eastbrook Road, Gloucester GL4 3DB
Technical Helpline : 01452 317890
Mon - Fri / 8am - 5pm
Email : technical@eastbrookco.com