

## SAFETY NOTE:

Suitable PPE should be worn during the installation to prevent injuries

## Prior To Installation:

- Carefully examine the product upon delivery for any signs of damage or defects before fitting. Claims relating to cosmetic or transport damage may not be accepted once installation has taken place.
- Before beginning installation, confirm the wall structure is suitable for the product and that sufficient wall depth is available. The required recess opening may vary slightly from the external dimensions of the niche, therefore all measurements should be checked against the physical product prior to cutting.
- To preserve the surface finish, avoid using abrasive cleaning products, scouring materials, or sharp tools. For brushed finishes, always wipe in the direction of the grain.
- Only use a neutral cure silicone sealant suitable for bathroom applications. Acid-based silicones must not be used.

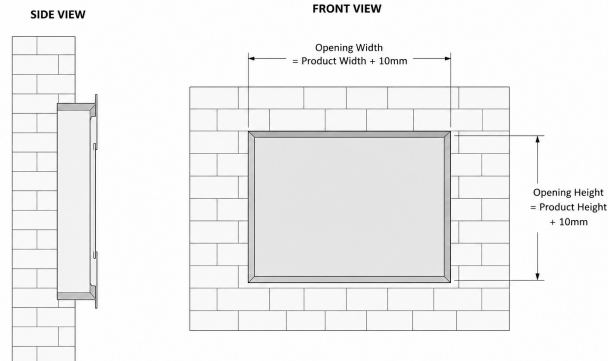
## Cleaning & Maintenance:

- Use a soft microfibre cloth or similar non-abrasive material for regular cleaning.
- Clean the product using a soft sponge only. Abrasive pads, scouring sponges, and steel wool should not be used.
- For best results, use a suitable stainless steel cleaner or a gentle household cleaning solution designed for delicate surfaces.

## Step 1

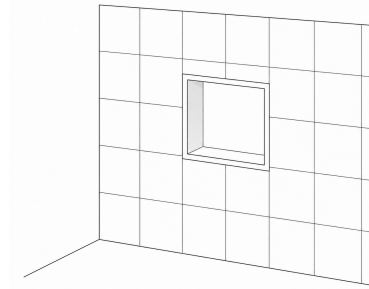
Mark out and prepare the wall opening in the required installation position using the product dimensions provided in the technical drawing. An additional clearance tolerance should be allowed around the recess opening to assist with fitting and alignment. Always verify measurements against the physical product throughout installation.

### Example



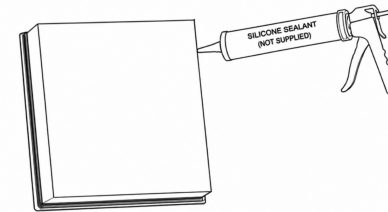
## Step 2

Where applicable, complete tiling to both the surrounding wall area and the internal recess before fitting the niche.



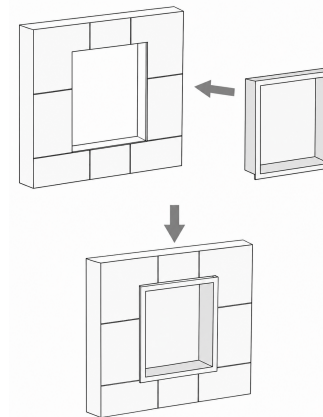
## Step 3

Apply a bead of high-quality clear silicone sealant around the outer rear edge of the niche prior to installation.



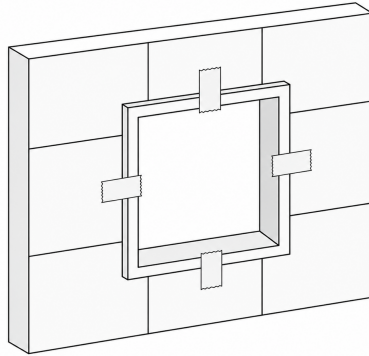
## Step 4

Install the Niche into the wall recess. Ensure the bottom of the recess is smooth and level and the Niche fits tightly into the frame



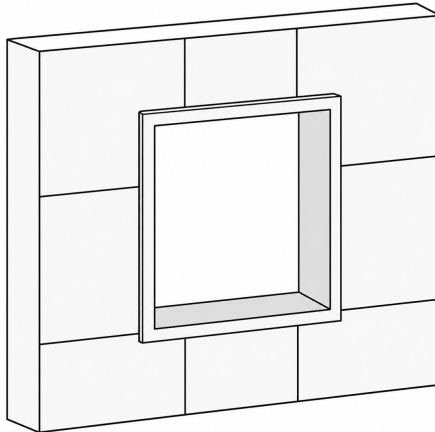
### Step 5

Use strong fixing tape to hold the niche securely in position against the wall while the sealant cures. Leave the tape in place for approximately 24 hours before removal



### Step 6

Installation is complete.



**Professional installation by a suitably qualified tradesperson is strongly recommended. No responsibility can be accepted for issues arising from incorrect installation or fitting.**