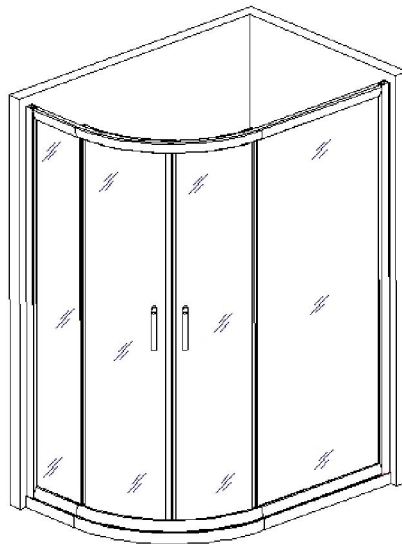
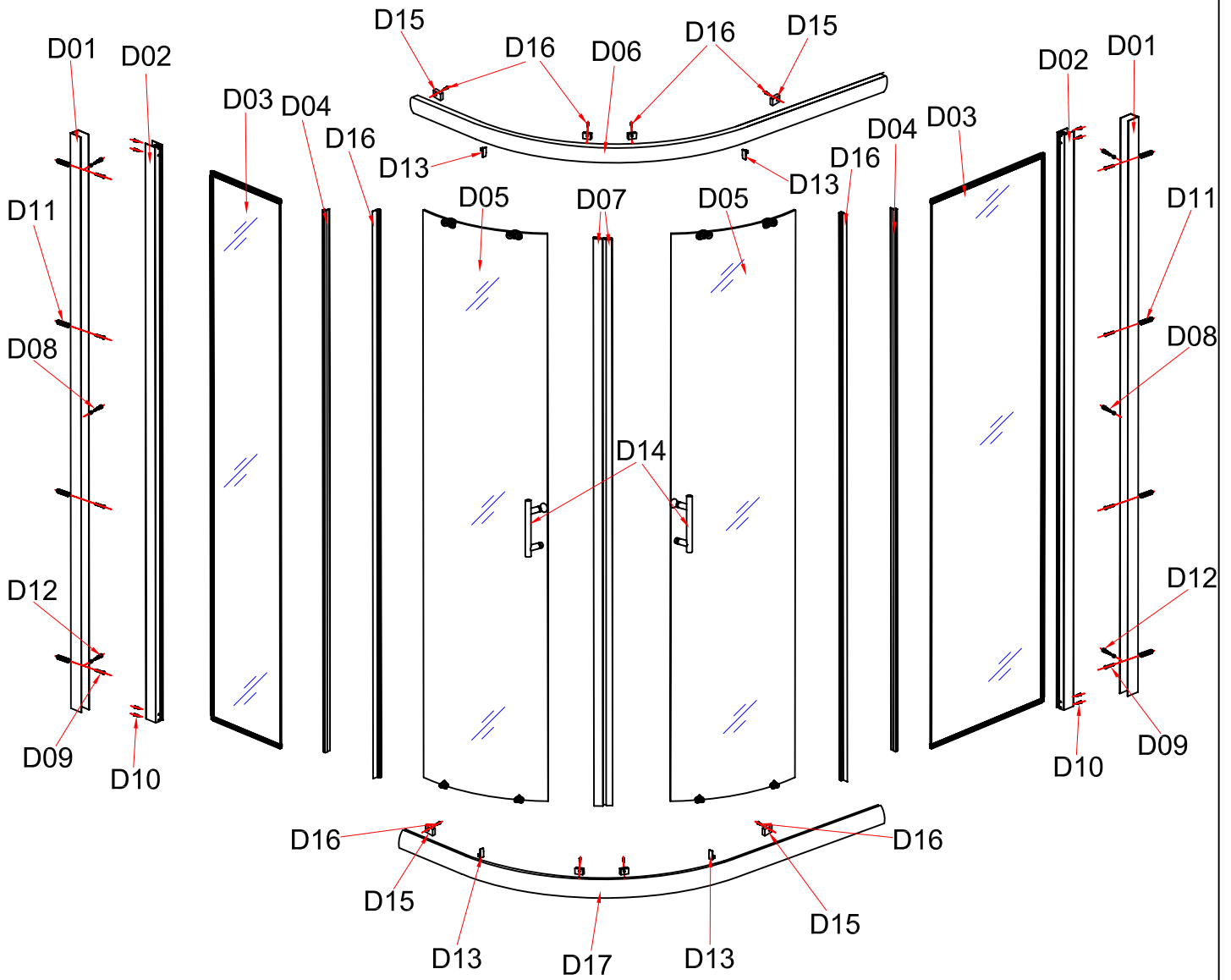


INSTALLATION MANUAL

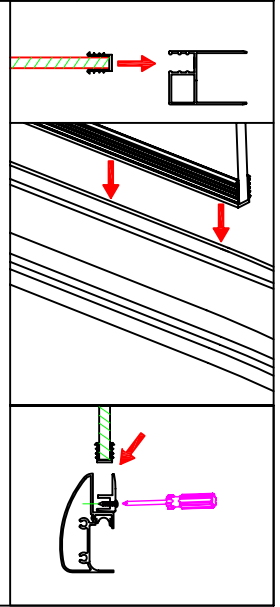
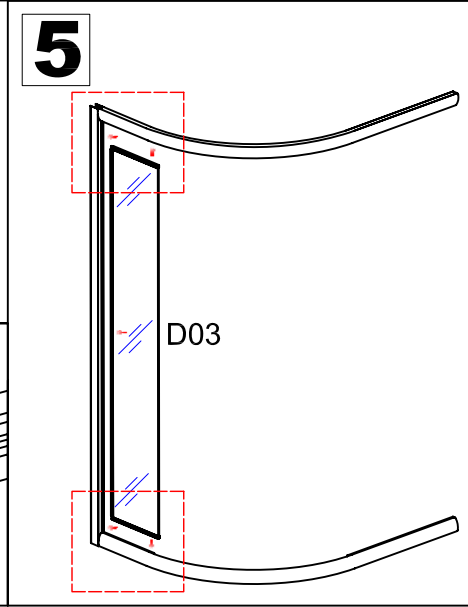
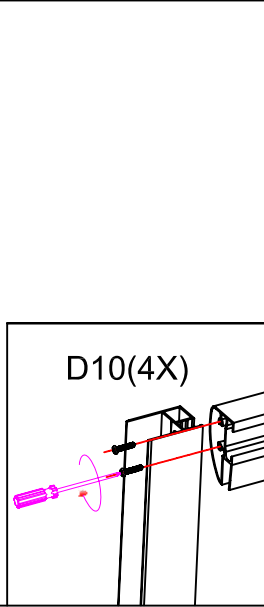
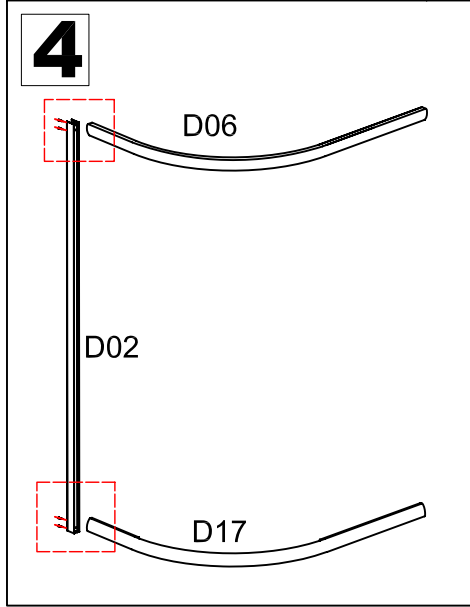
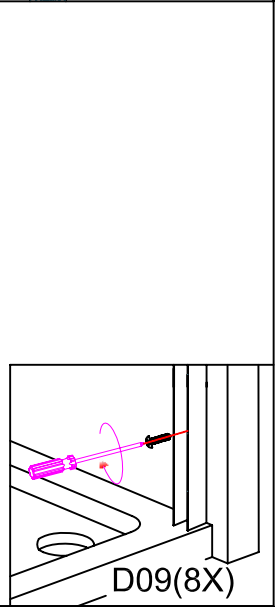
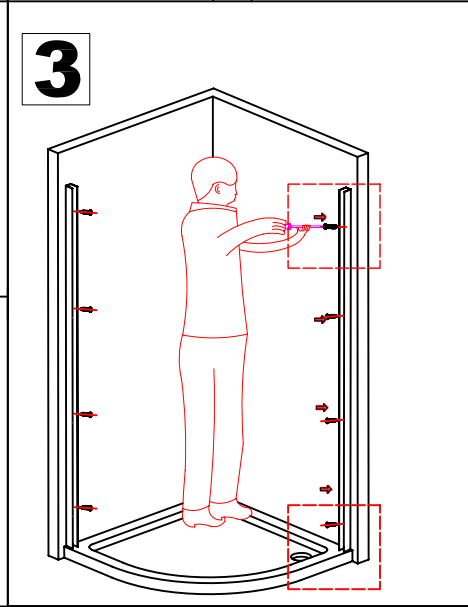
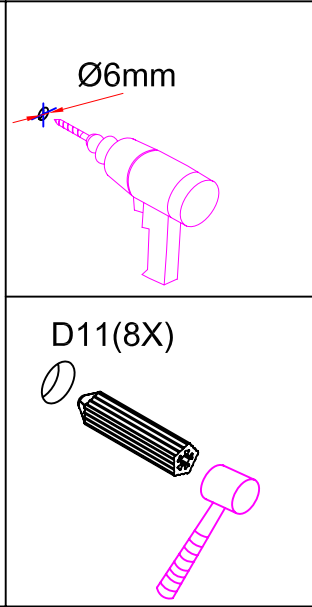
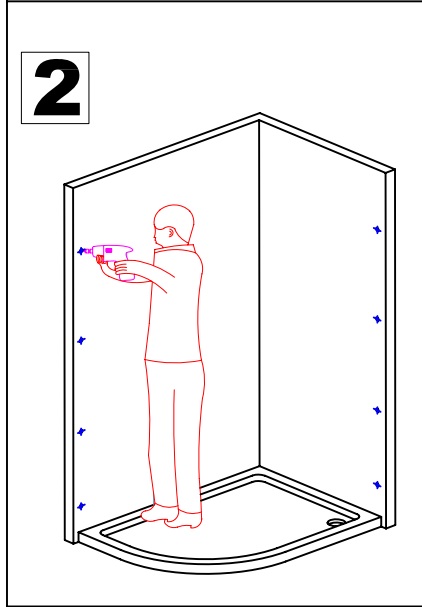
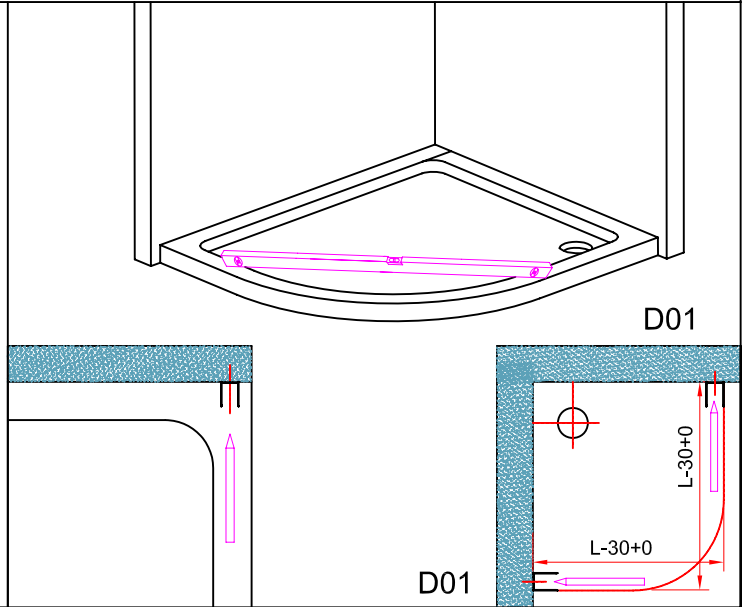
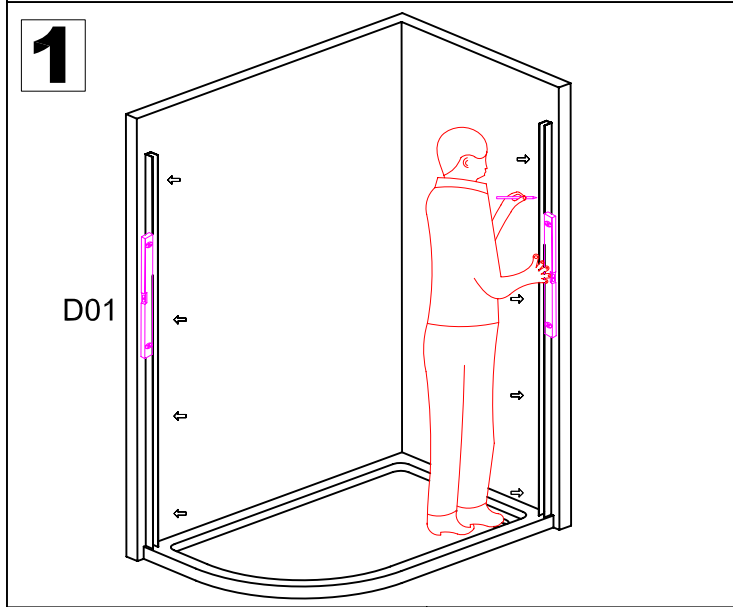
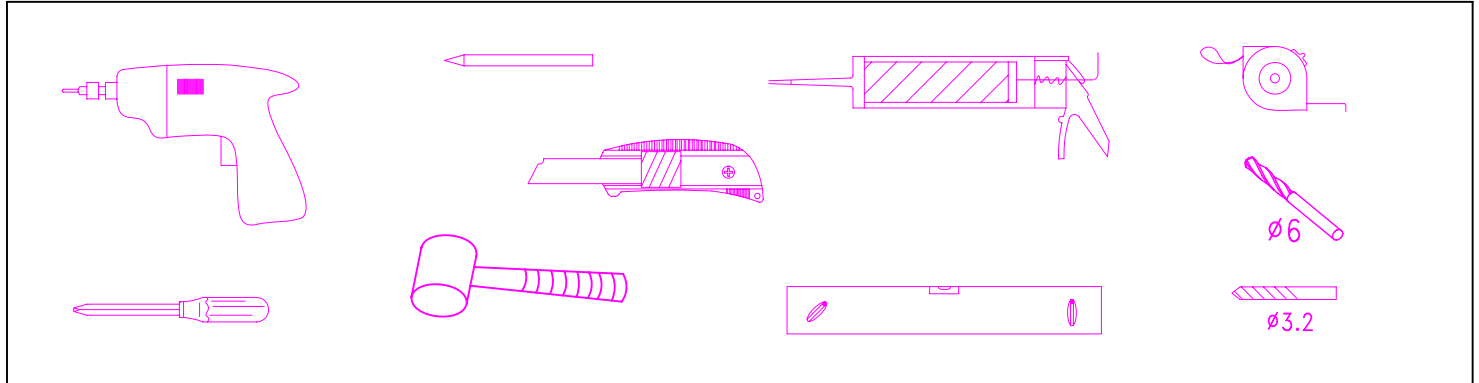
Eastbrook Code	Adjustment	Eastbrook Code	Adjustment
69.0027	870-900	69.0028	1170-1200
69.0032	870-900	69.0033	970-1000
69.161	1270-1300	69.162	1270-1300
69.163	1370-1400	69.164	1370-1400

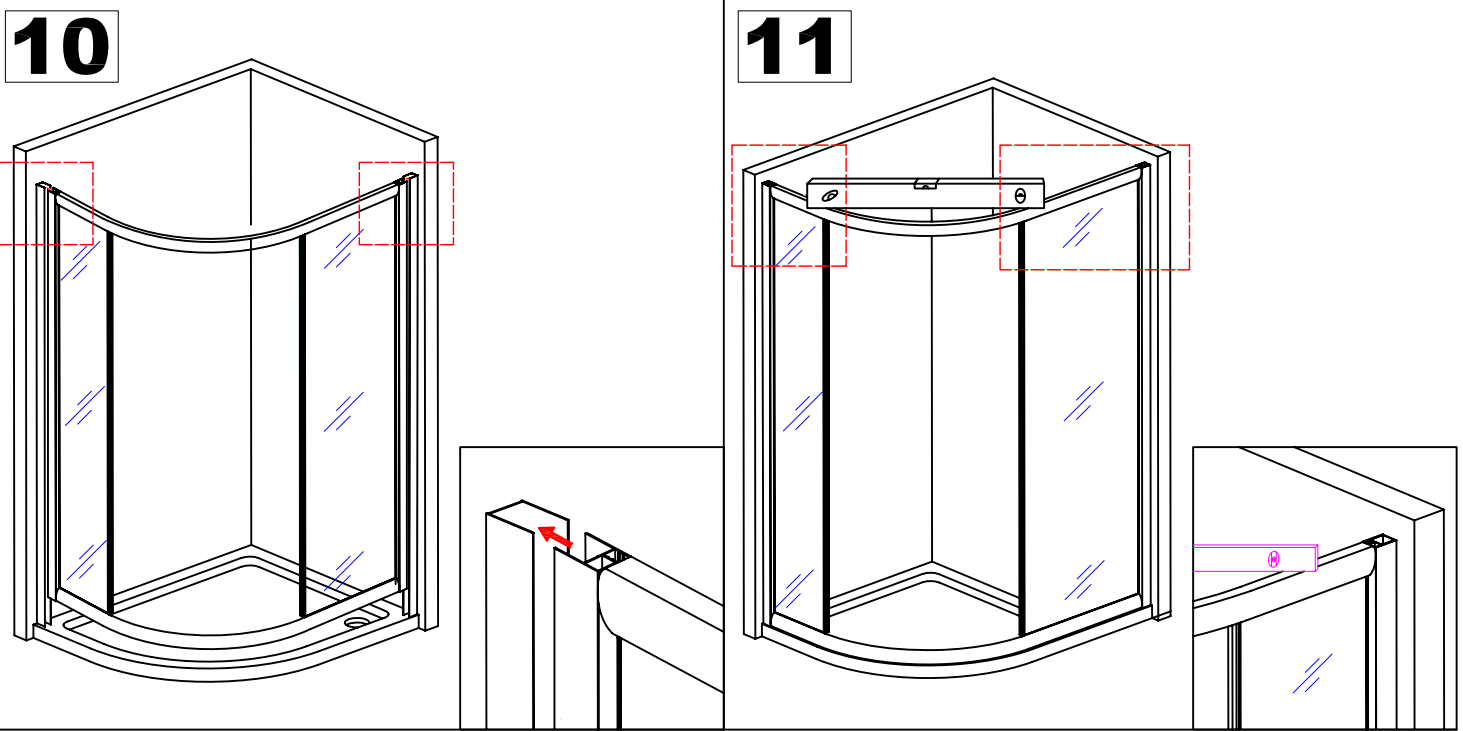
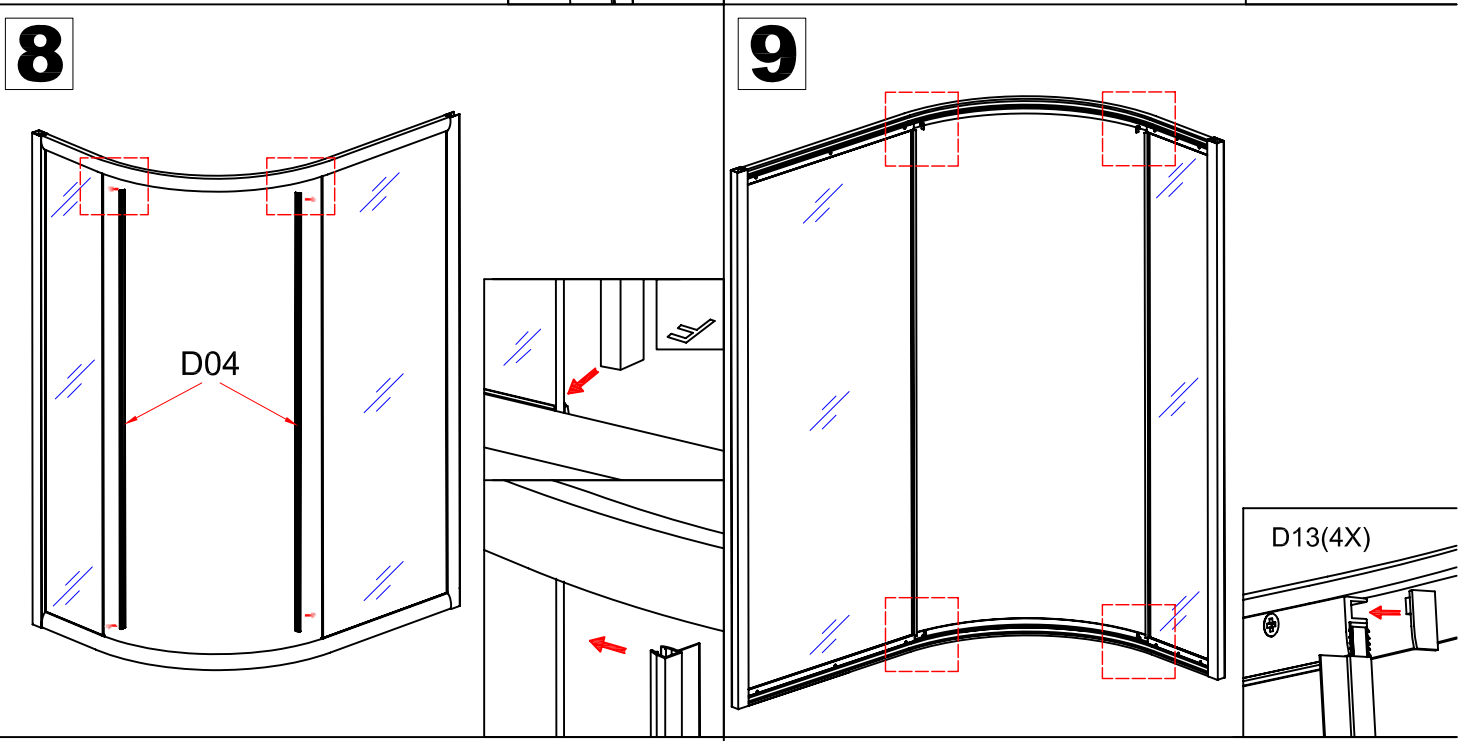
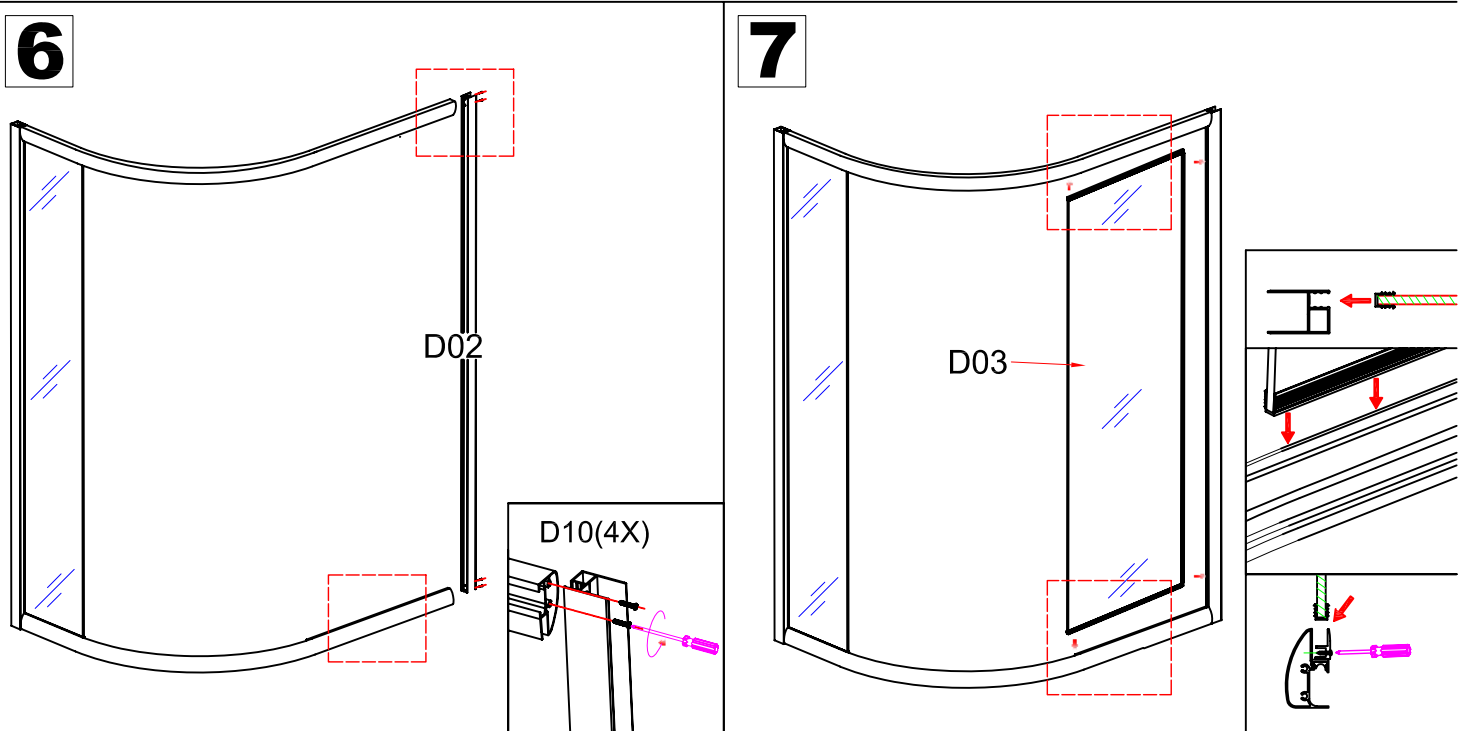




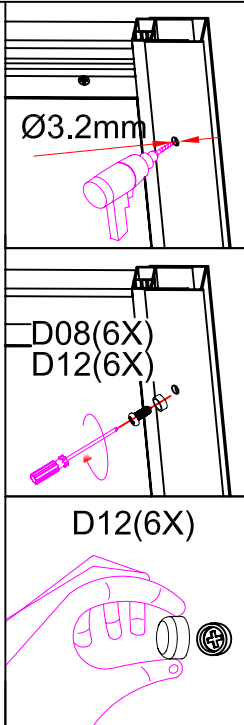
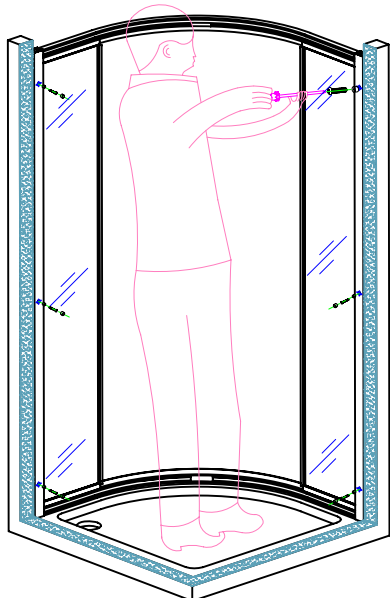
This product should only be fixed by a fully qualified installer

<p>D08</p> <p>10</p> <p>ST4</p> <p>6X</p>	<p>D09</p> <p>30</p> <p>ST4</p> <p>8X</p>	<p>D10</p> <p>30</p> <p>ST4</p> <p>8X</p>	<p>D11</p> <p>8X</p>	<p>D12</p> <p>6X</p>
<p>D13</p> <p>4X</p>	<p>D14</p> <p>2X</p>	<p>D15</p> <p>8X</p>	<p>D16</p> <p>16</p> <p>ST4</p> <p>8X</p>	

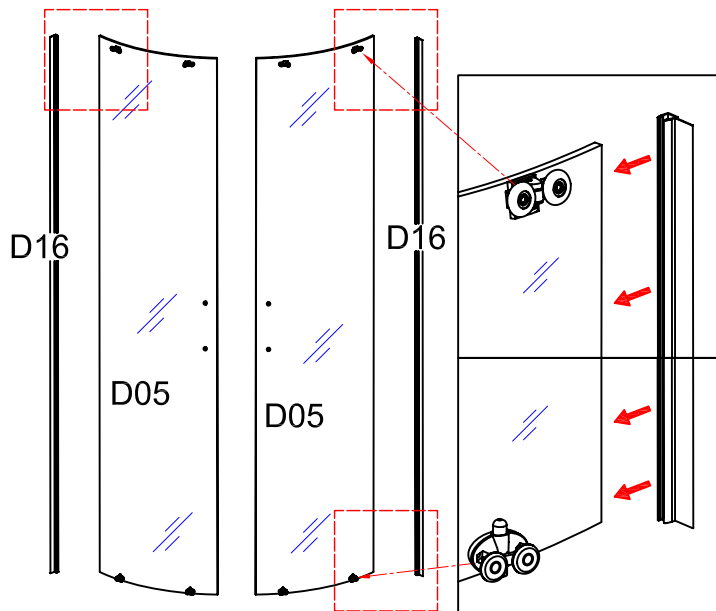




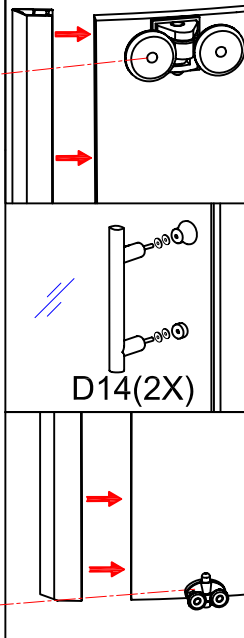
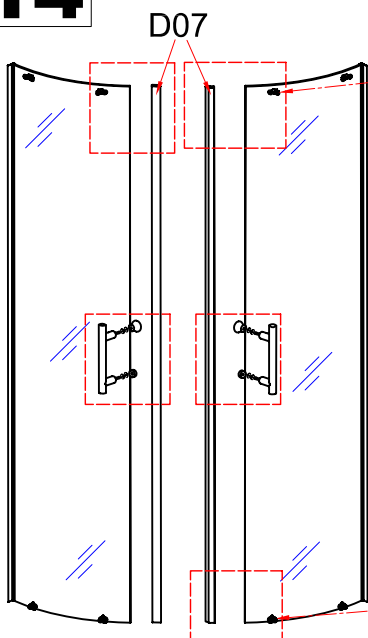
12



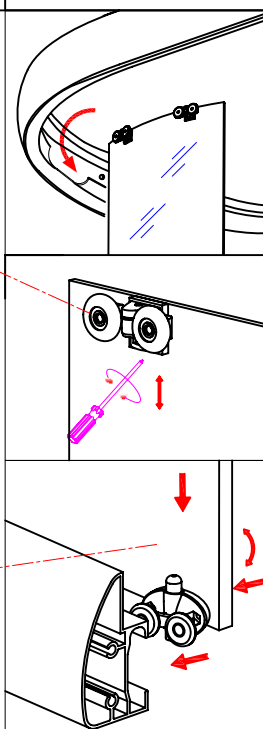
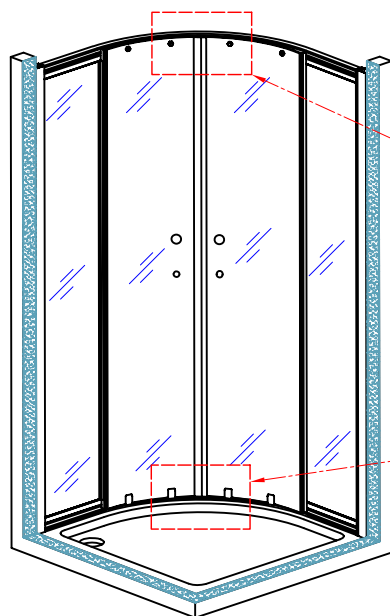
13



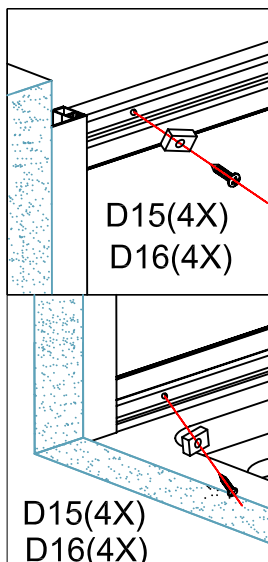
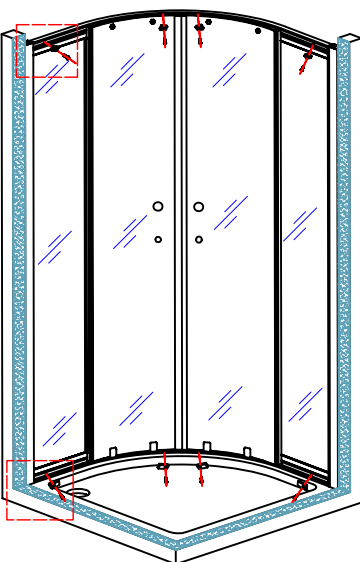
14



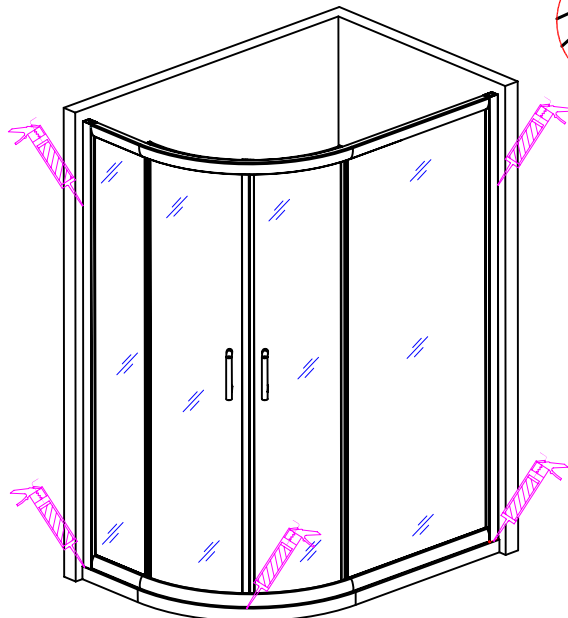
15



16



Silicone on the outside of the screen only



Cleaning & Maintenance

Don't clean the shower enclosure with irritant detergent such as alcohol,bleach or other chemical cleaners.

Only clean with warm soapy water.

After the installation is completed,should you find that there is notable noise when the glass door moves,you may add a small quantity of lubricant onto the roller wheel,slipping hook and the track.

Helpline: 01452 317890