



**m a n u a l**

Quadrant

## Installation instructions

### Quadrant door

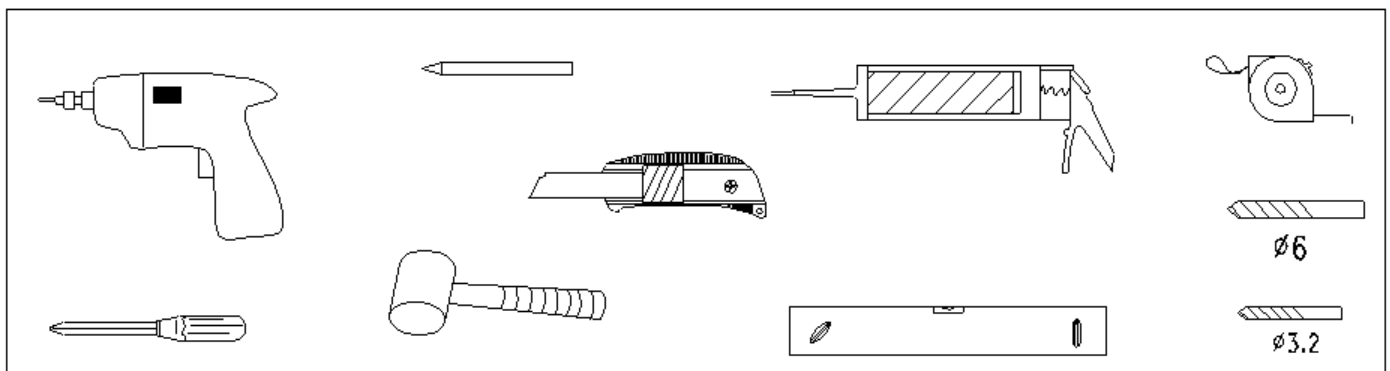
Adjustment range:(-20mm/0mm)×1850mm

### Mounting preparation

After opening the packaging,read the instructions carefully.Check whether all parts are present and there are no signs of shipping damage.If you find any problems,please contact your retailer directly.

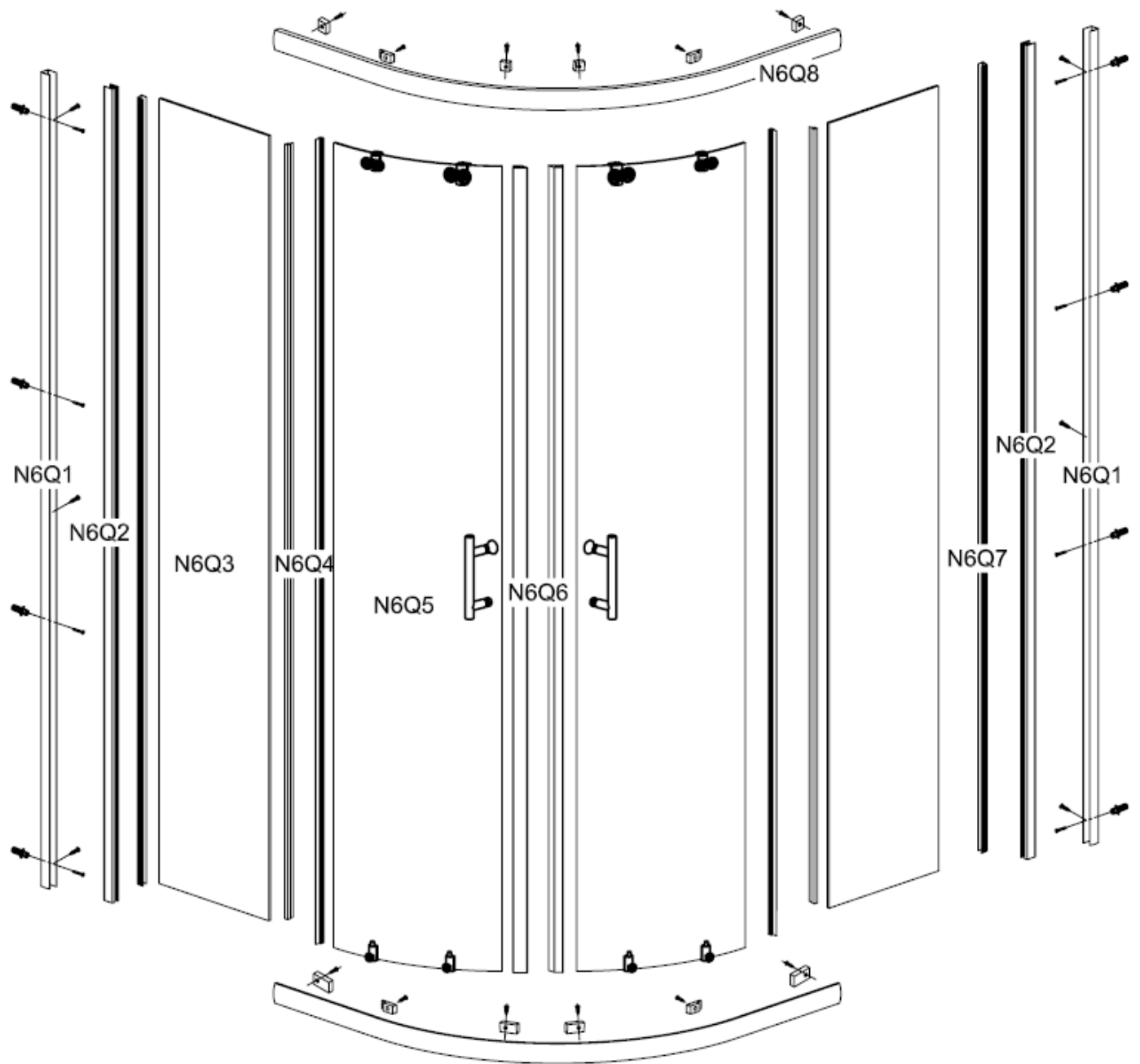
Necessary tools:electric drill,masonry drill( $\phi$  6mm),drill( $\phi$  3.2mm),crosstip screw driver,spirit level,tape measure,pencil and silicone sealant.

### Tools required



### Contents of installation instruction

<p>N6Q9 10 ST4 14X</p>	<p>N6Q10 12 ST4 4X</p>	<p>N6Q11 30 ST4 16X</p>	<p>N6Q12 8X</p>	<p>N6Q13 2X</p>
<p>N6Q14 4X</p>	<p>N6Q15 4X</p>	<p>N6Q16 4X</p>	<p>N6Q17 14X</p>	



## Mounting process

1. Lift the wall profile(N6Q1) upto the wall.Check whether the frame is vertical by using a spirit level.Mark the holes to the walls with a pencil.Using the spirit level to make sure the frame between the walls is horizontal,as showed in figure 1.

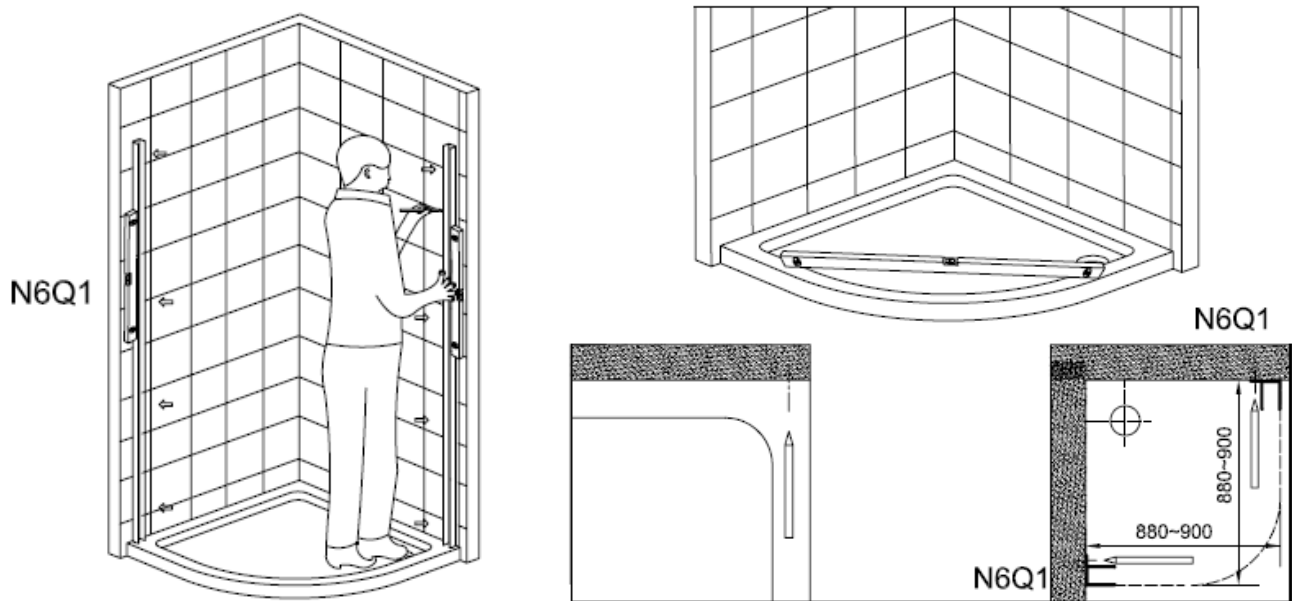


Figure 1

2. Drill the holes( $\varnothing 6\text{mm}$ ) into the wall according to the marks made and insert the wall plugs (N6Q12) into the holes, as shown in figure 2.

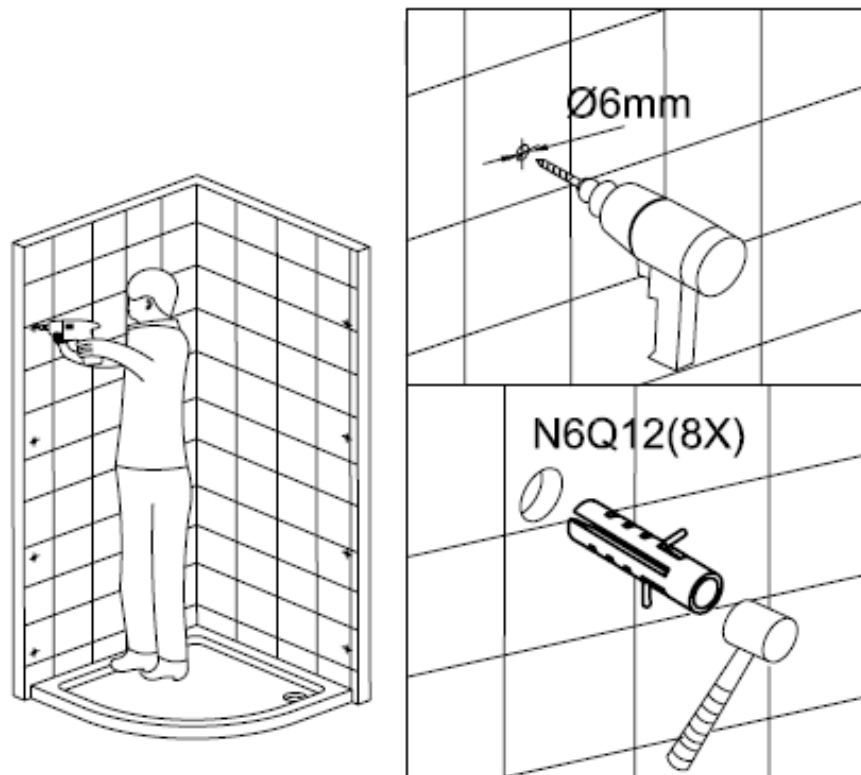


Figure 2

3. Make sure that the frame is horizontal and vertical, screw the wall profile(N6Q1) to the wall by using screw(N6Q11),as showed in figure 3.

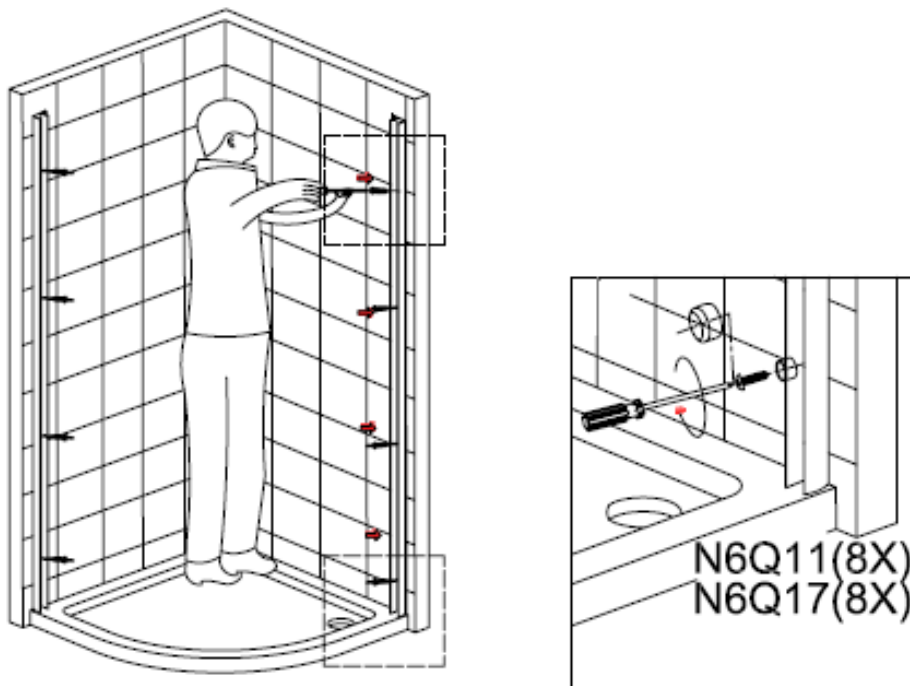


Figure 3

4. Click the U shape strip onto the fixed panel(N6Q3) vertically,as showed in figure 4.

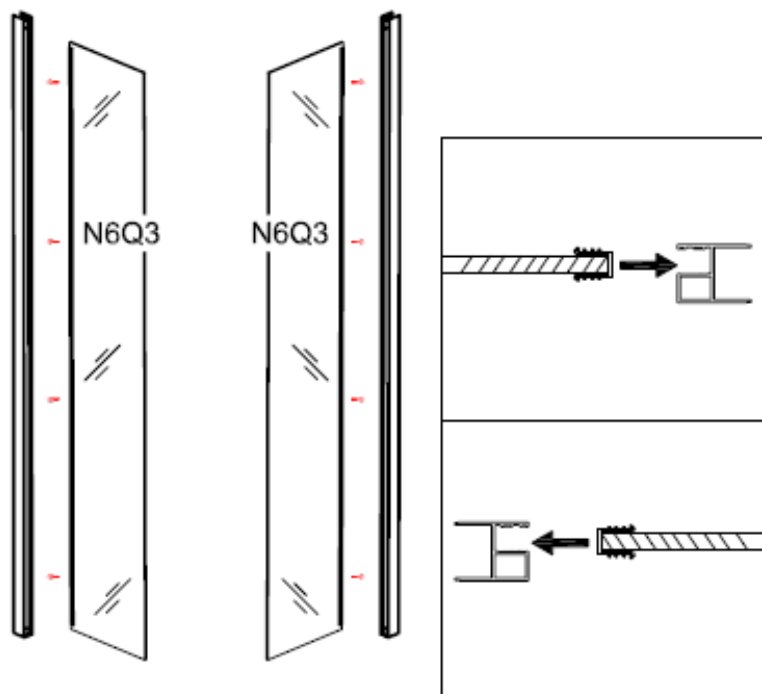


Figure 4

5. Put the fixed panel down to the rail profile(N6Q8) and vertical to the fixed profile(N6Q2),screw by using (N6Q11).Fasten the top and bottom stopper by using (N6Q10) as showed in figure 5.

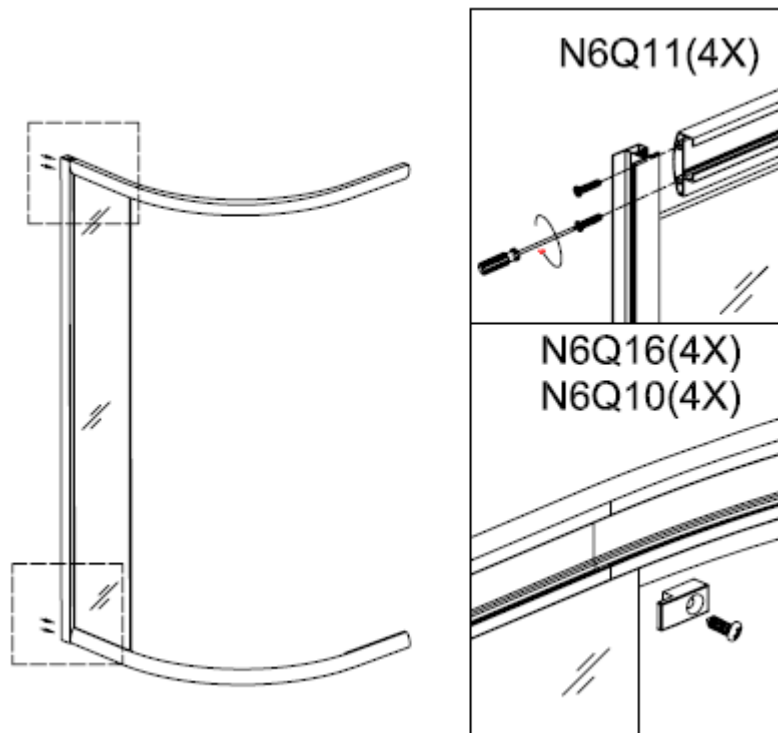


Figure 5

6. Do the same way as step 5 on the other side,as showed in figure 6.

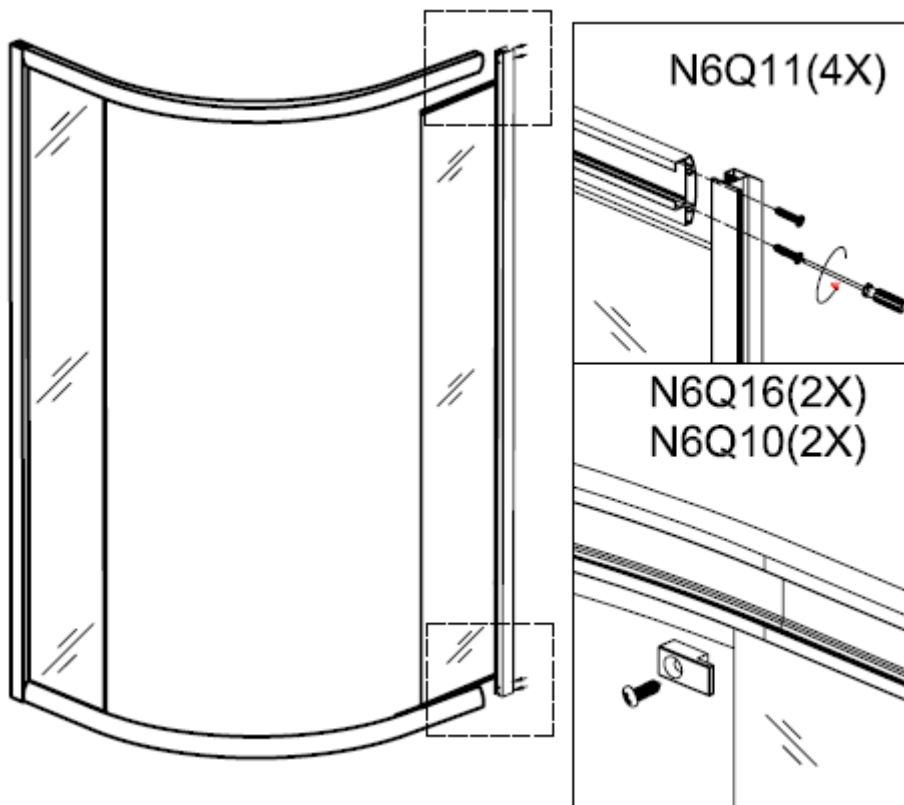


Figure 6

7. Click the strip(N6Q4) to the fixed door,as showed in figure 7.

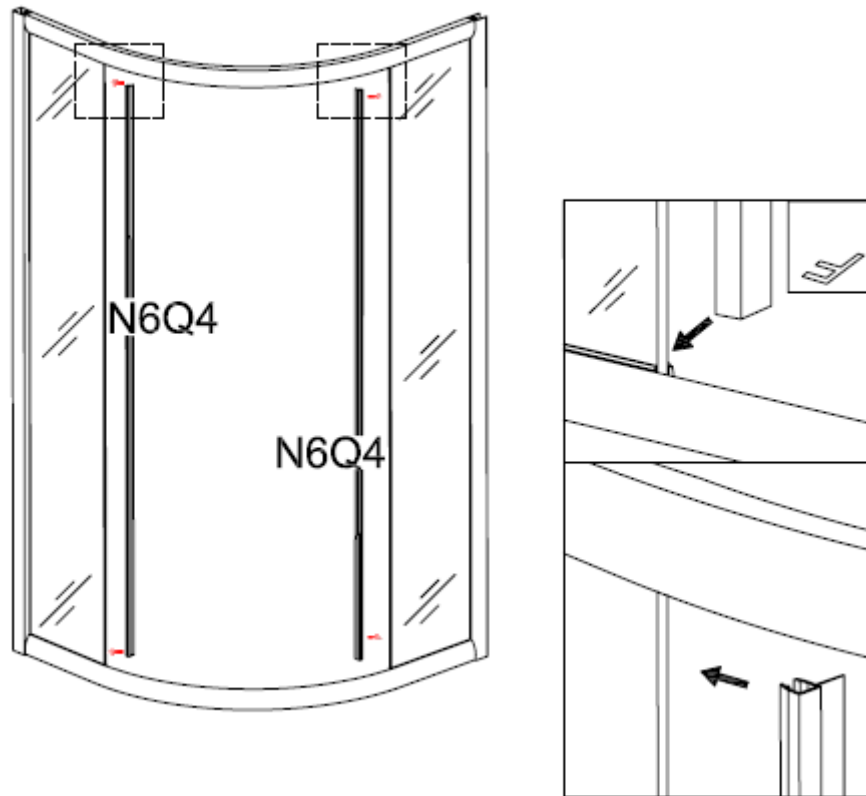


Figure 7

8. Move the whole door set finished in step 7 to the wall profile(N6Q1) ,as showed in figure 8.

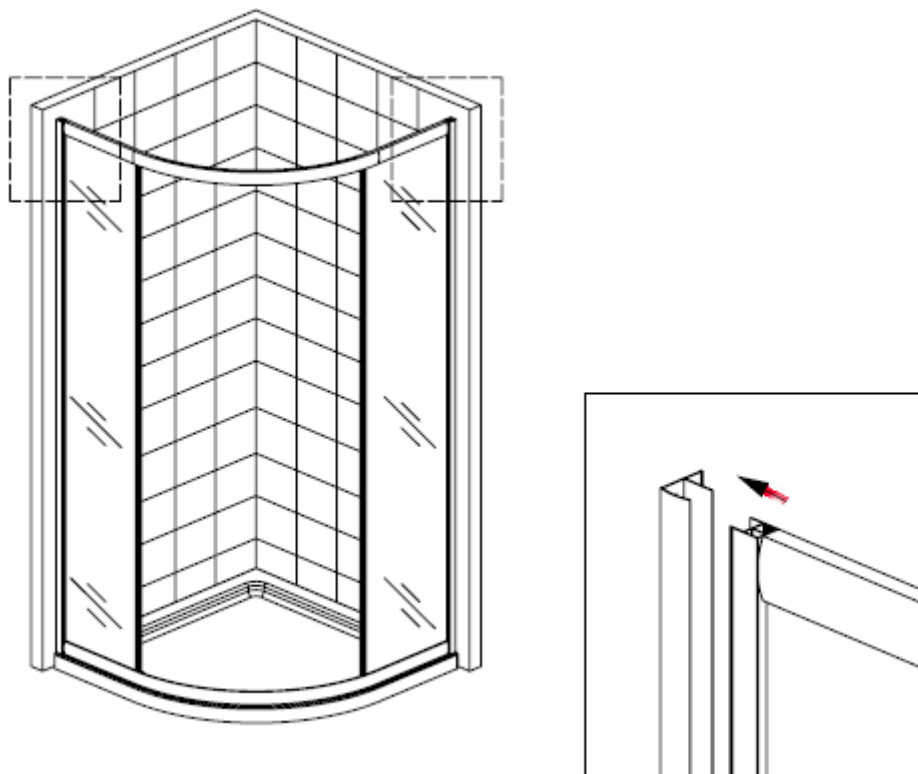


Figure 8

9. Make sure that the rail profile is horizontal by using the spirit level,as showed in figure 9.

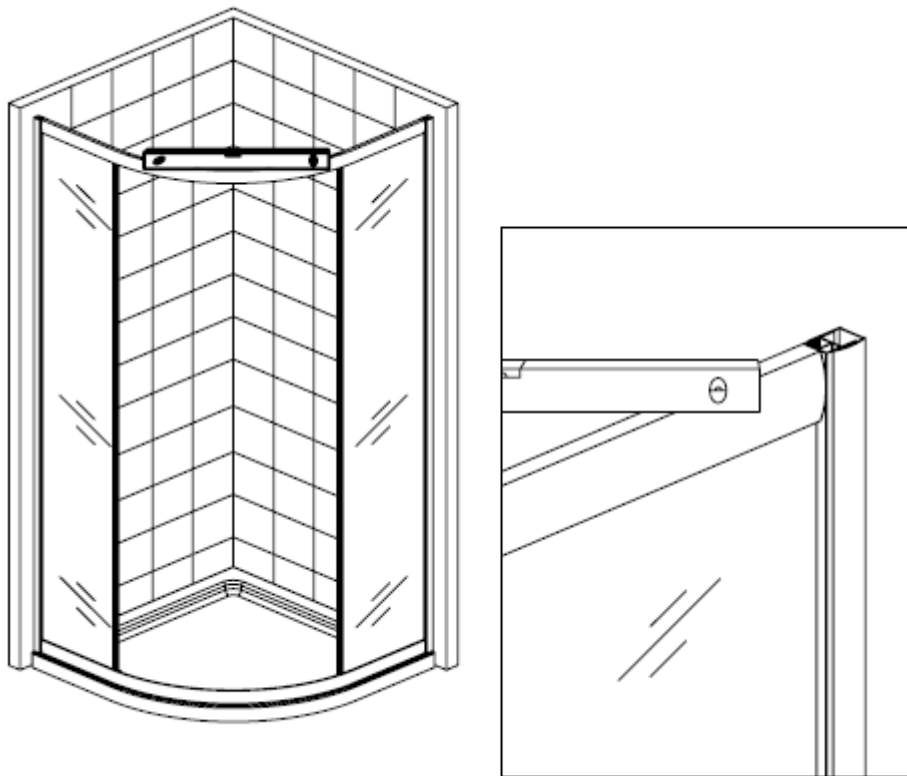


Figure 9

10. Fasten the fixed profile and wall profile by using screw(N6Q9) with caps,as showed in figure 10.

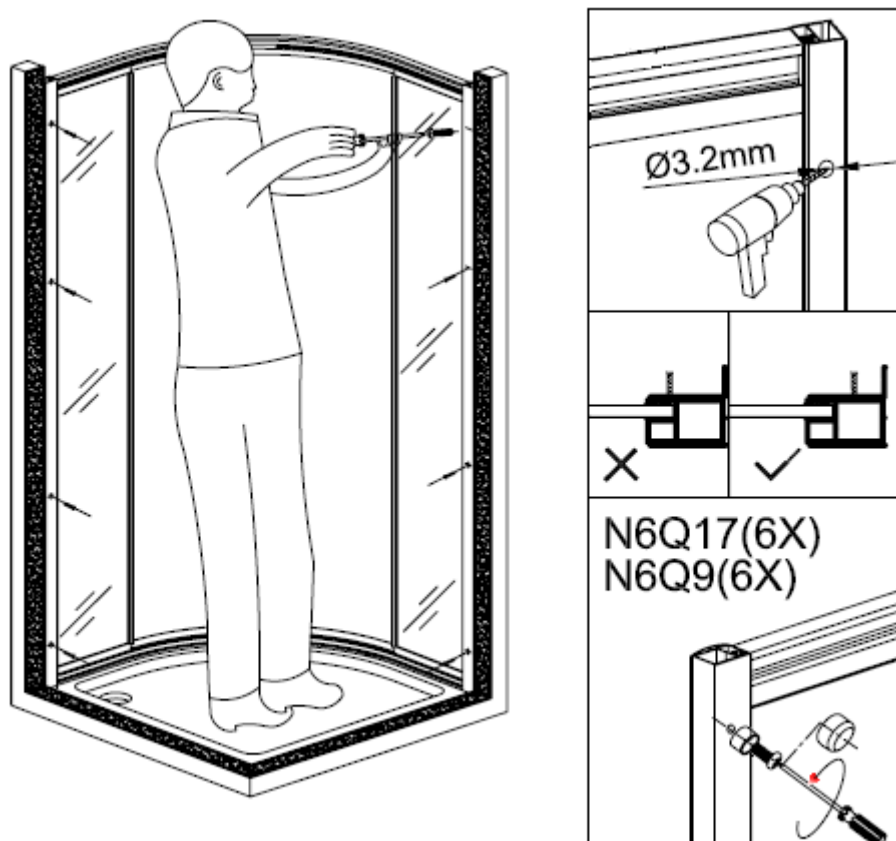


Figure 10



11. Click the strip(N6Q7) to the moving panel(N6Q5),as showed in figure 11.

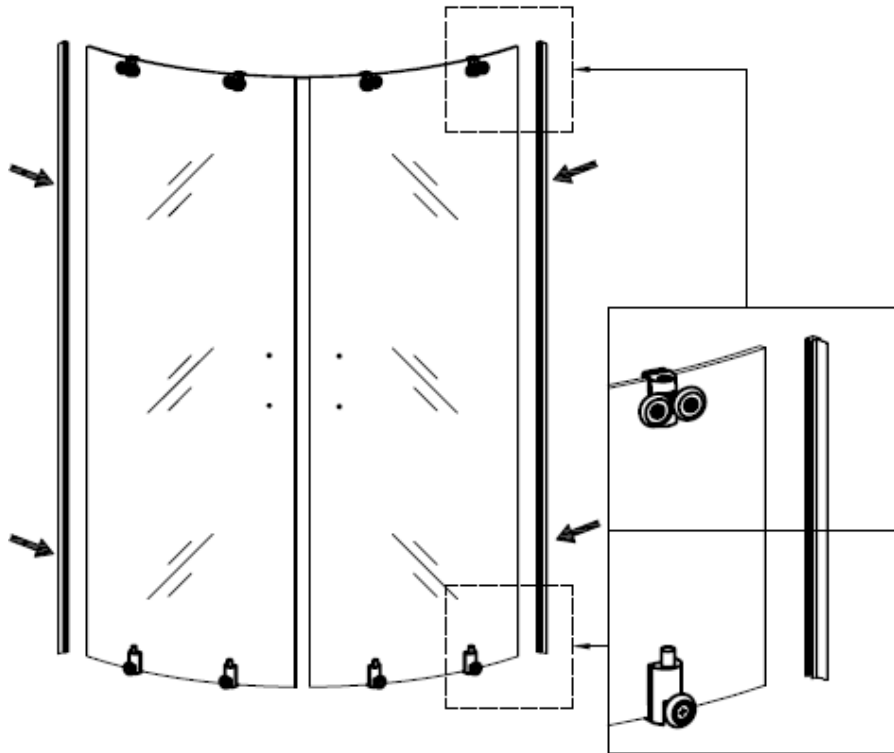


Figure 11

12. Click the strip(N6Q6) to the moving panel and install the handles ,as showed in figure 12.

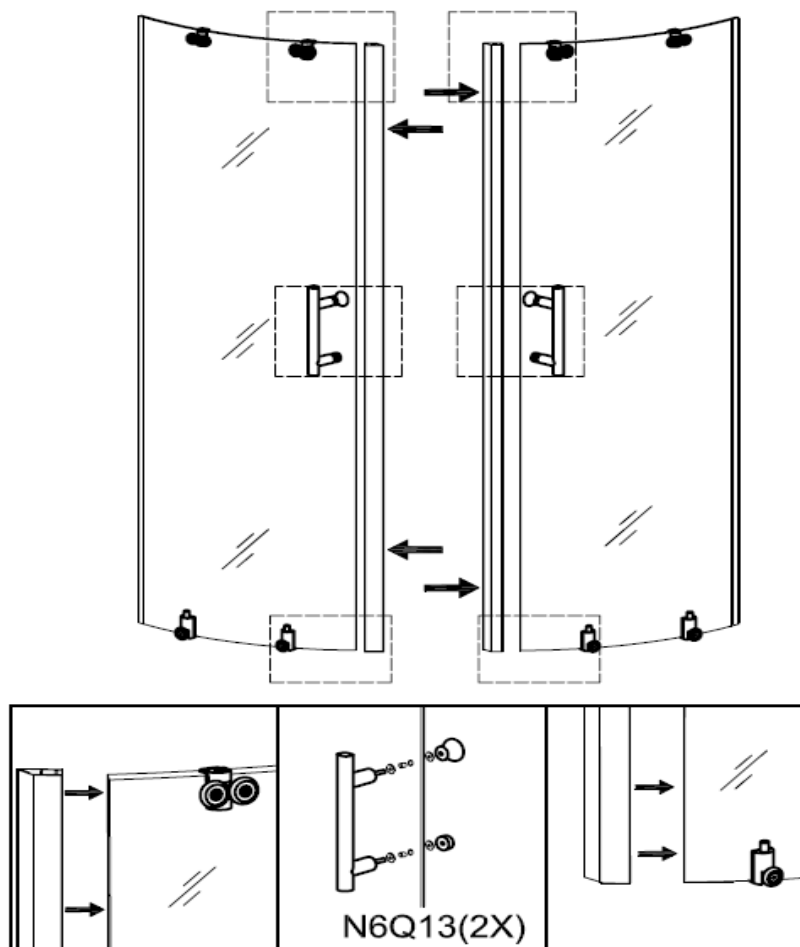


Figure 12

13. Hang the top double roller into the top rail and clip the bottom single roller into the bottom rail, as shown in figure 13.

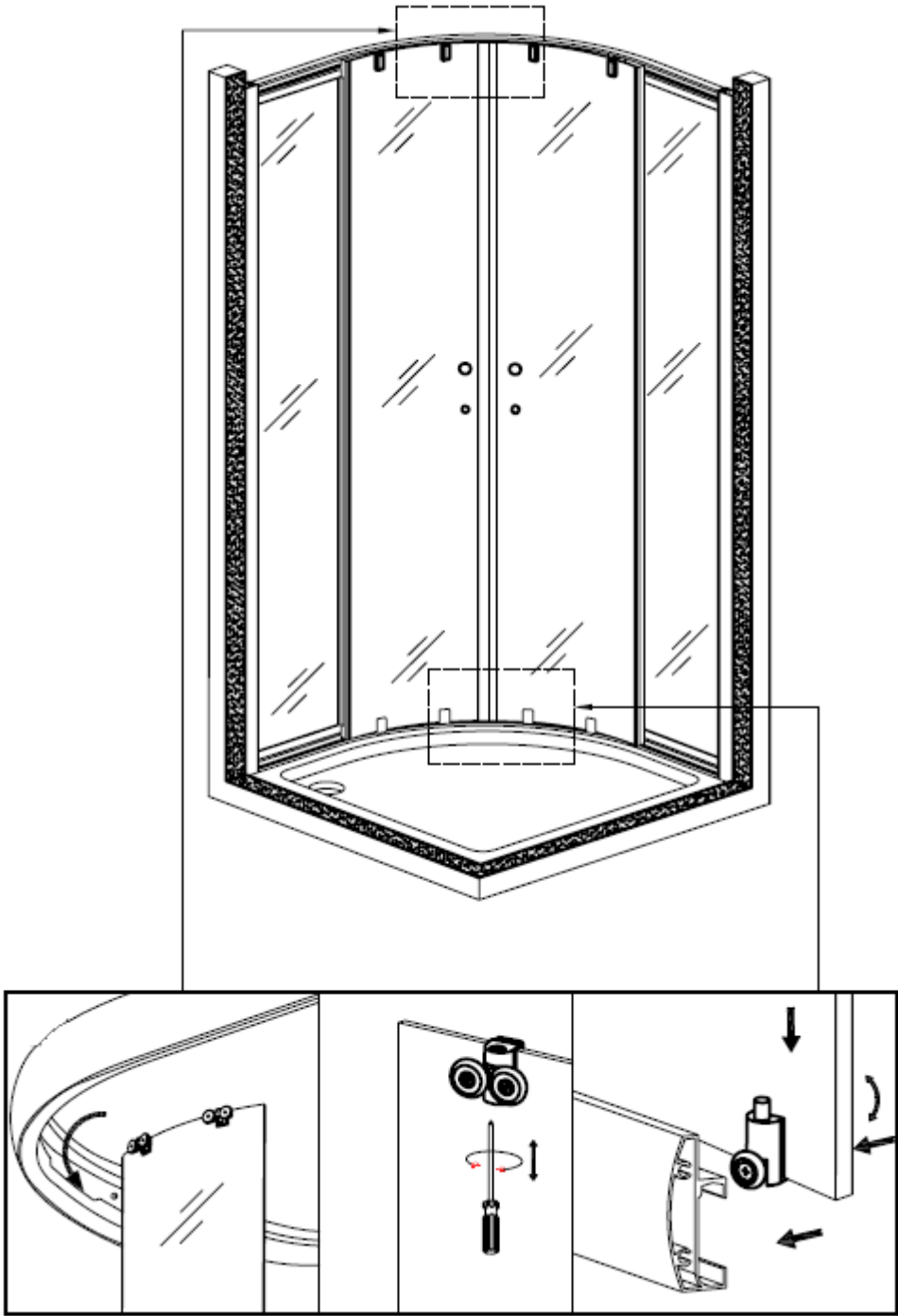


Figure 13

14. Install the top and bottom rubber stoppers(N6Q14) and (N6Q15) with screw(N6Q9),  
As showed in figure 14.

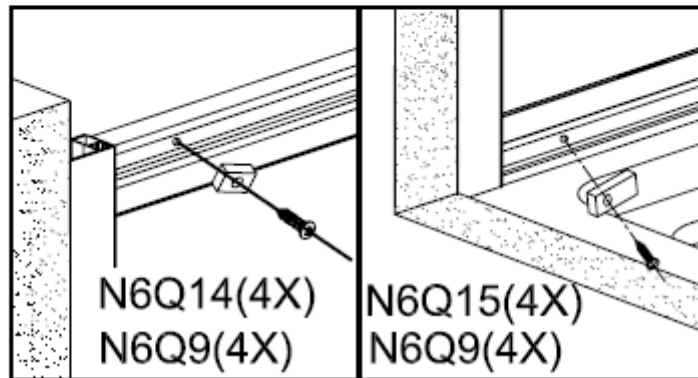
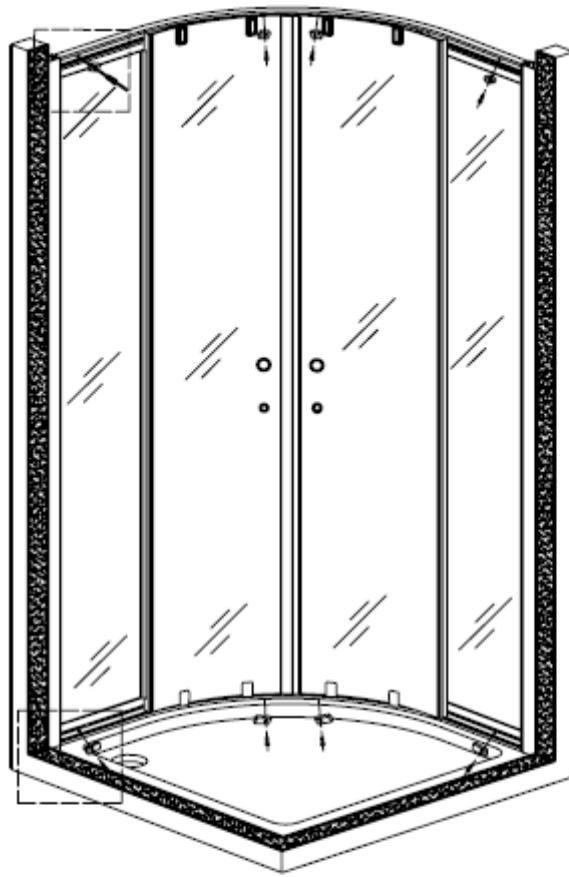


Figure 14

15. Finally, at all points connected to the wall, shower tray, floor and profiles, use silicone sealant only on the outside of the shower enclosure, as showed in figure 15.

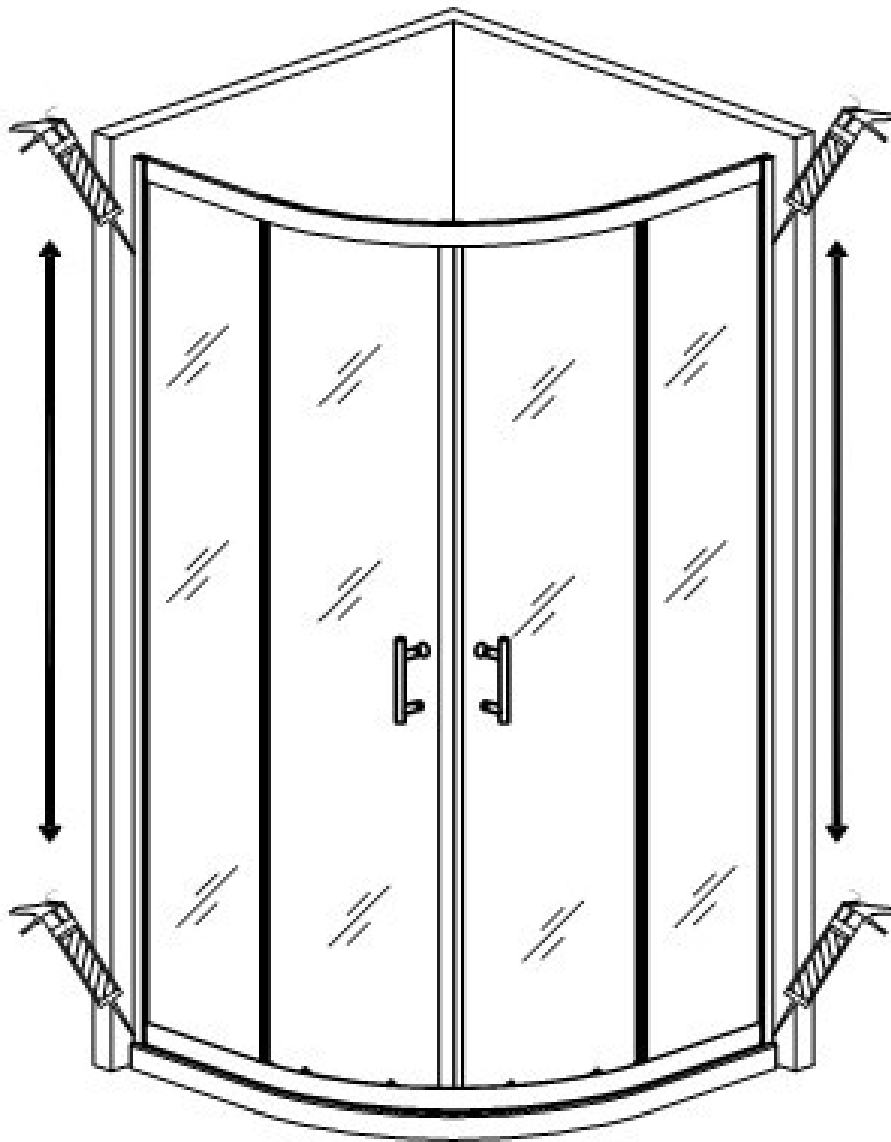
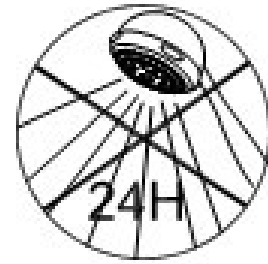


Figure 15

## **Cleaning & Maintenance**

Don't clean the shower enclosure with irritant detergent such as alcohol,bleach or other chemical cleaners.

Only clean with warm soapy water.

After the installation is completed,should you find that there is notable noise when the glass door moves,you may add a small quantity of lubricant onto the roller wheel,slipping hook and the track.



Eastbrook Road, Gloucester GL4 3DB  
Technical Helpline: 01452 317890  
email: [technical@eastbrookco.com](mailto:technical@eastbrookco.com)