

Product Installation

Eastbrook Road, Gloucester GL4 3DB
 Technical Helpline: 01452 317890
 email: technical@eastbrookco.com

This product should only be fitted by a fully qualified installer.

1

Soil pipe not supplied

①Set frame to height required for chosen pan and soil pipe requirement. Adjust at section (A).

2

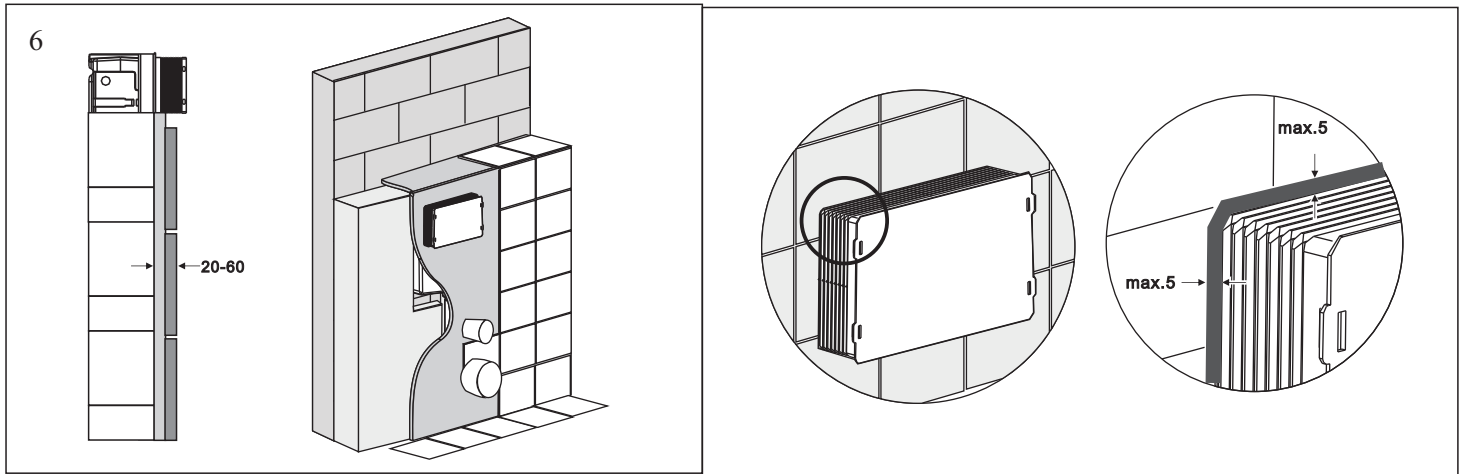
Fit wall straps to frame and attach to wall ②. Check floor fixing are in position required, then fix down with fittings supplied ③. Fit required pan connector (not supplied).

3

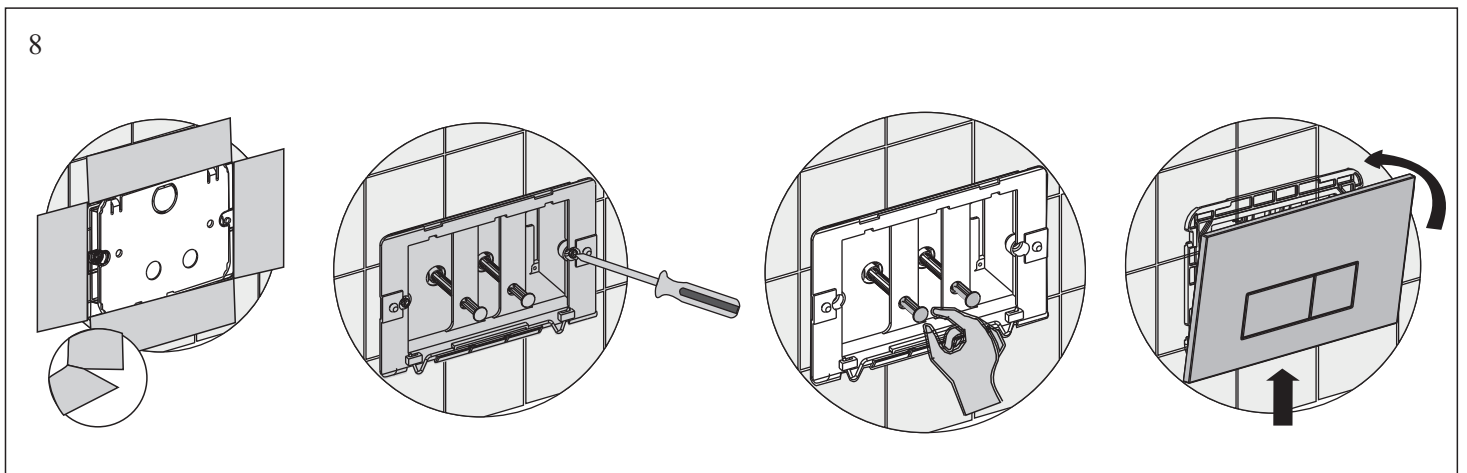
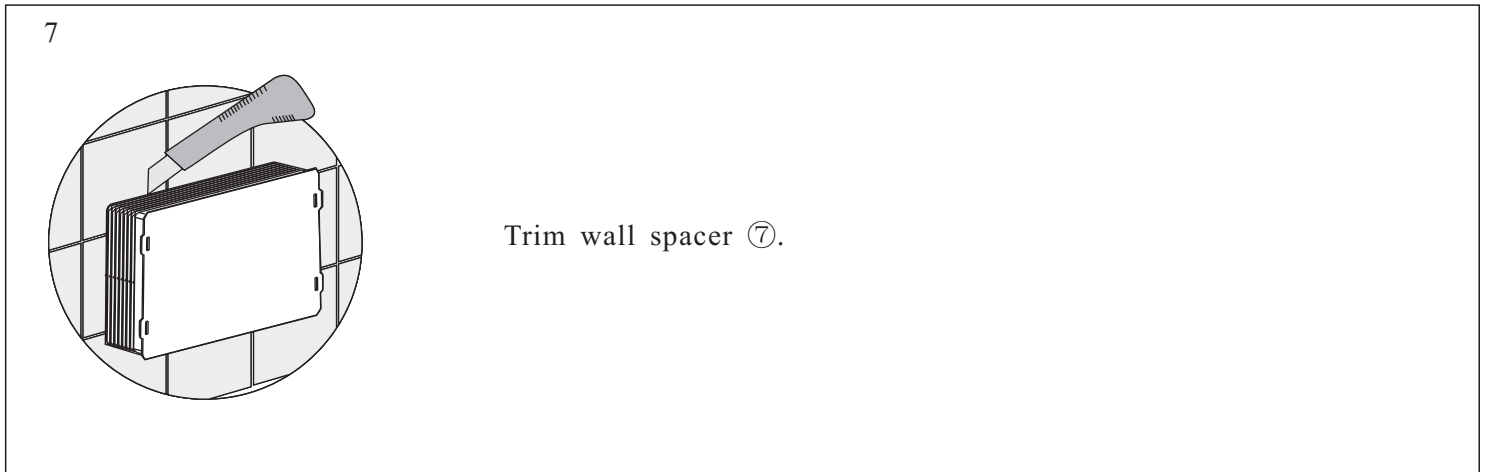
4

5

Fix partition wall spacer ④. Fit chosen pan with bolts supplied ensure pan connector, bolts and male flush pipe (B) are left long enough for depth of partition wall and tiles ⑤. Test flush and check all joints for leaks. Remove pan construct partition wall.

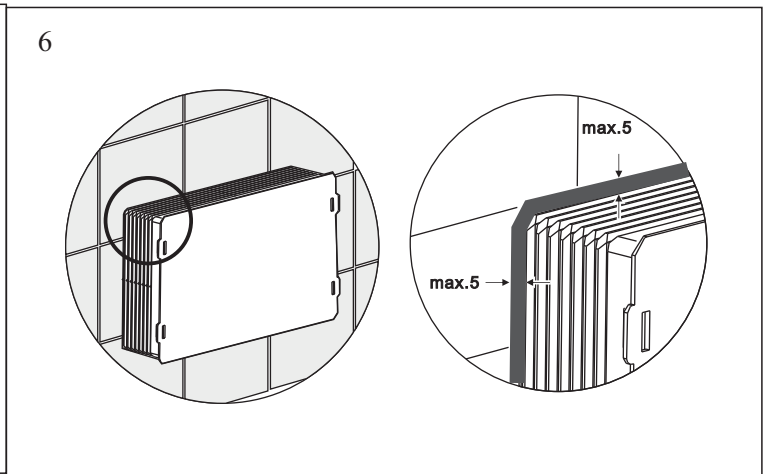
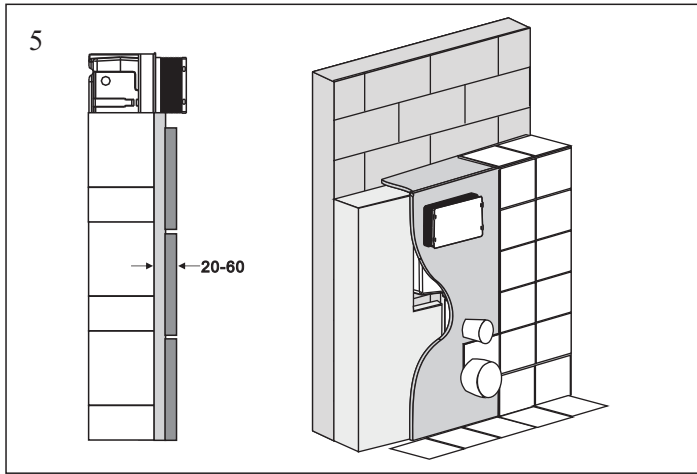


Tile partition wall ⑥ ensuring tiles are within 5mm of partition wall spacer.

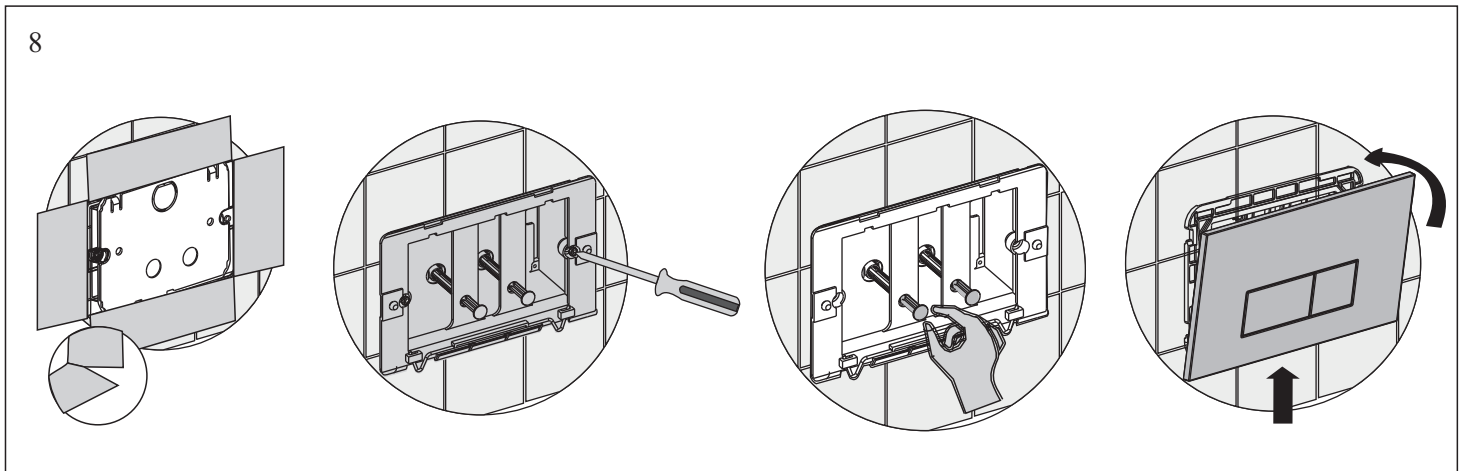
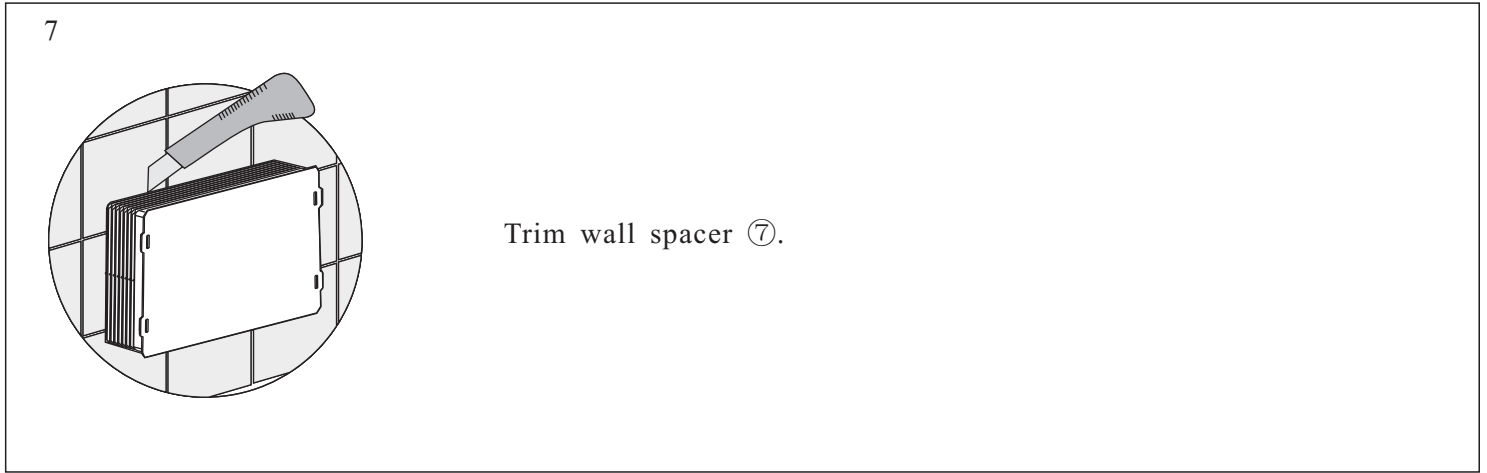


Fit flush plate bracket. Push rods should screw up to smooth shoulder, trim accordingly and install. Fit flush plate (supplied separately).

Helpline:01452 317 890



Tile partion wall ⑥ ensuring tiles are within 5mm of partion wall spacer.



Fit flush plate bracket. Push rods should screw up to smooth shoulder, trim accordingly and install. Fit flush plate (supplied separately).