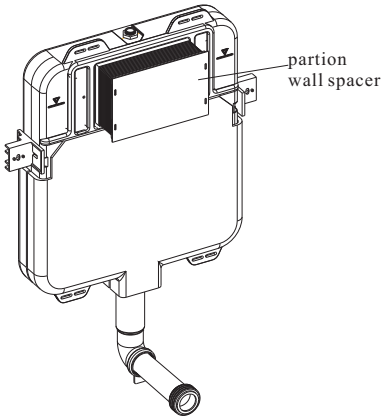
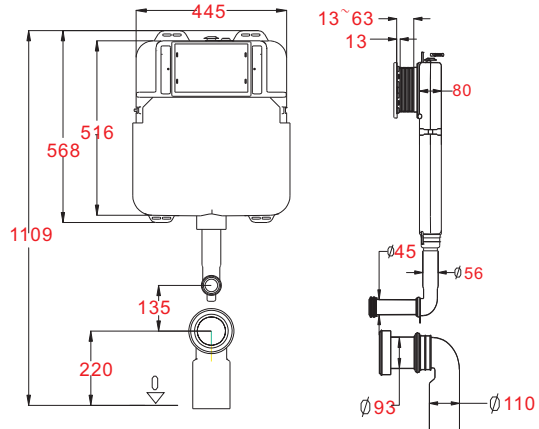


This product should only be filled by a fully qualified installer.

1. Dimensions

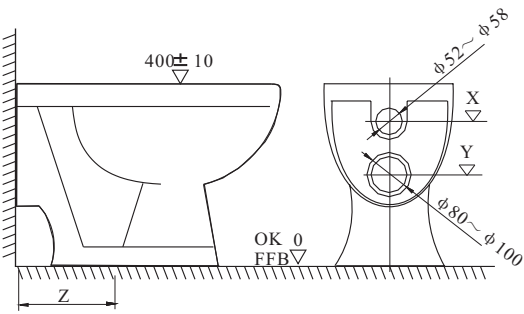


Flush plate and soil pipe are not supplied

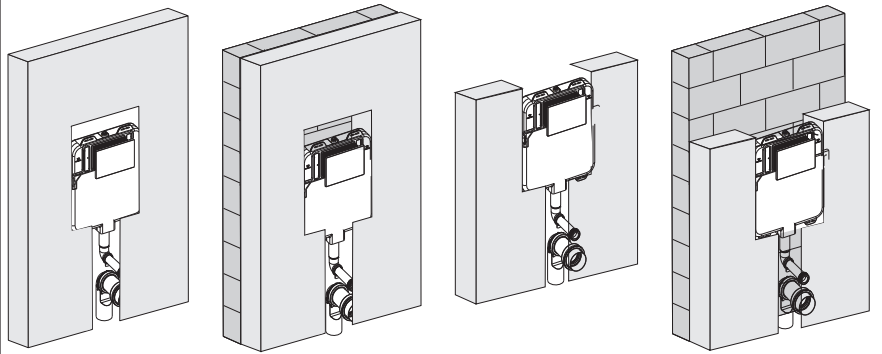


Height of soil outlet is depended on choosen pan

2

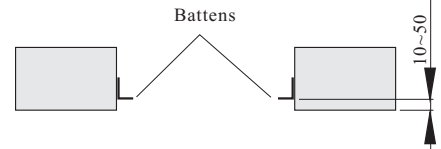
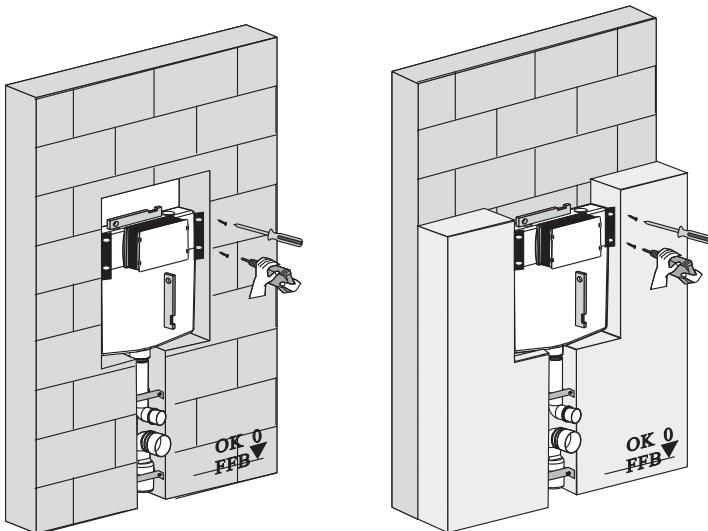


Measure the height from the centre of fill pipe to the floor X, the height from the centre of flush pipe to the floor Y before install.



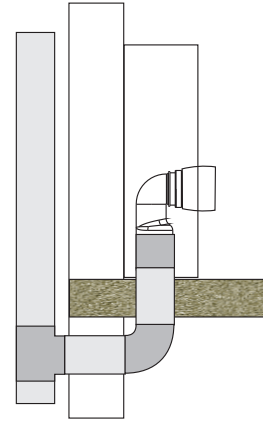
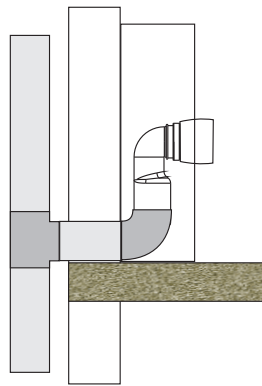
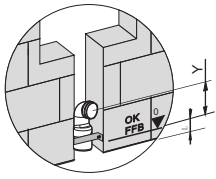
Examples of types of installation

3.



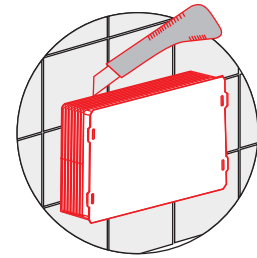
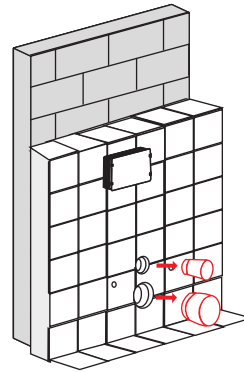
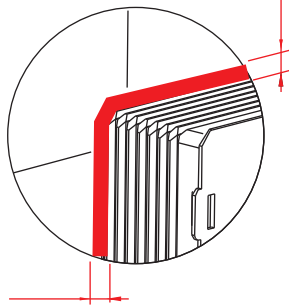
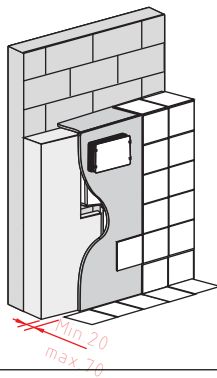
- (1) Fit partition wall spacer to hidden cistern;
- (2) Batten walls in position required by your installation
- (3) Attach cistern bracket to batten

5.



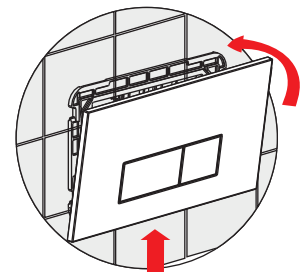
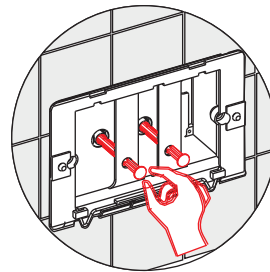
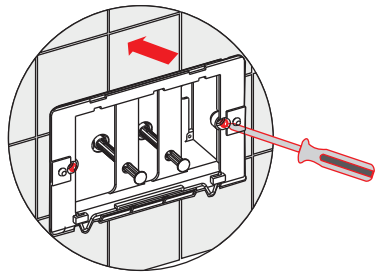
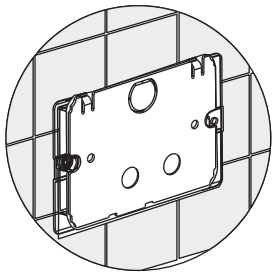
Fit soil pipe as required

6.



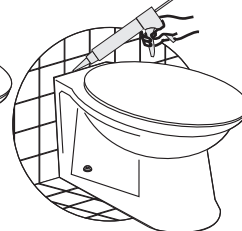
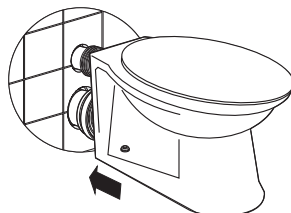
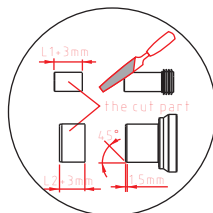
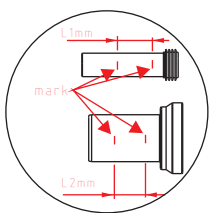
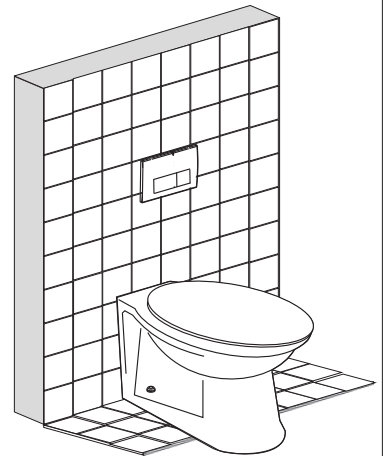
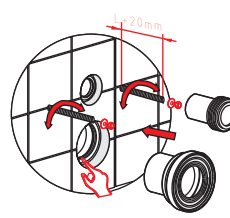
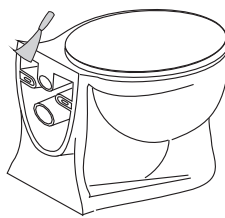
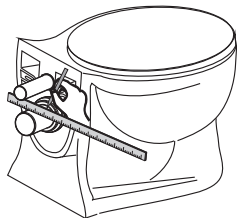
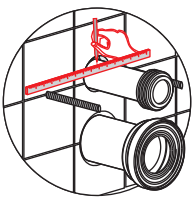
Trim wall spacer.

7. Install flush plate bracket, push rods should screw up to smooth shoulder, trim accordingly and install. Fit flush plate(supplied separately).



Flush plate not supplied

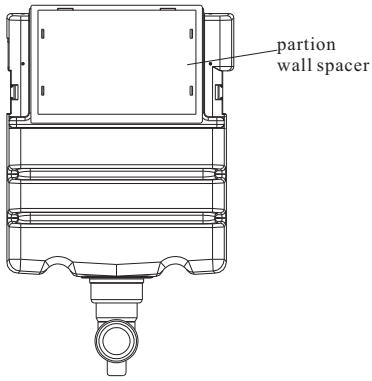
8. Install WC



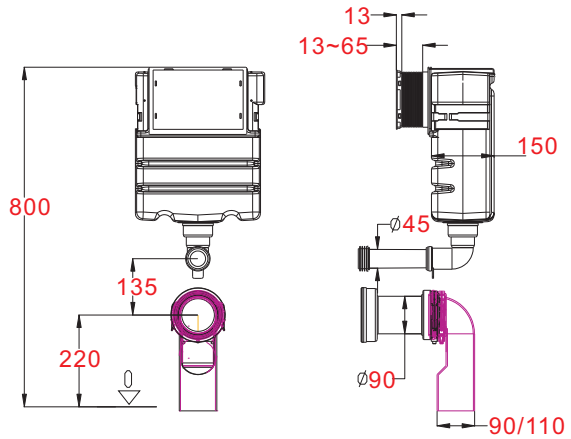
Product Installation

This product should only be filled by a fully qualified installer.

1. Dimensions

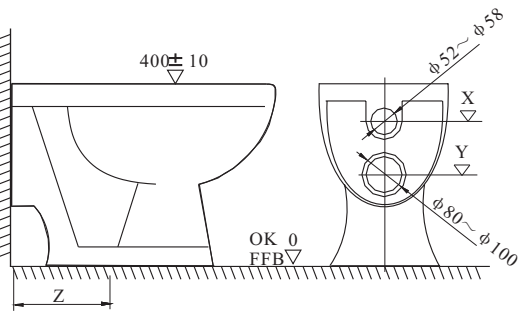


Flush plate and soil pipe are not supplied

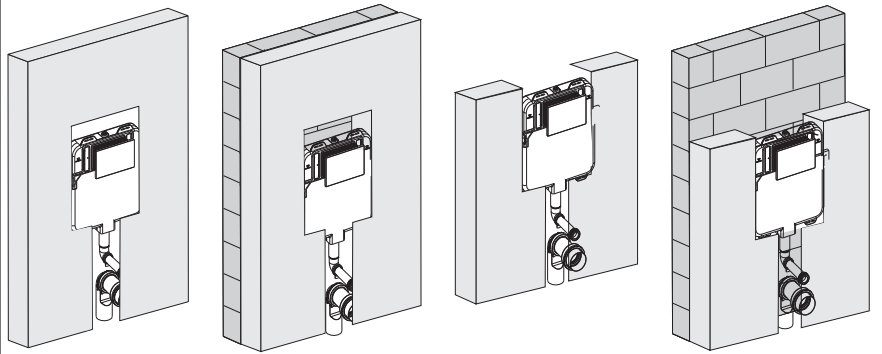


Height of soil outlet is depended on choosen pan

2

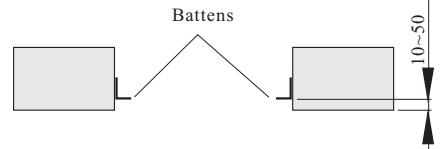
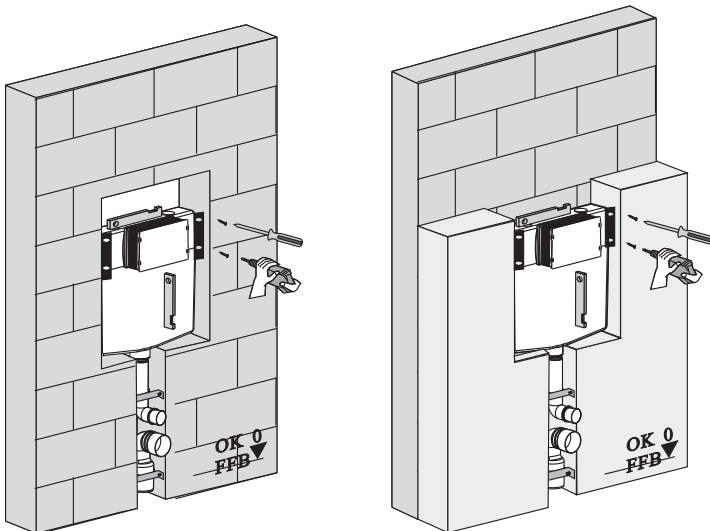


Measure the height from the centre of fill pipe to the floor X, the height from the centre of flush pipe to the floor Y before install.



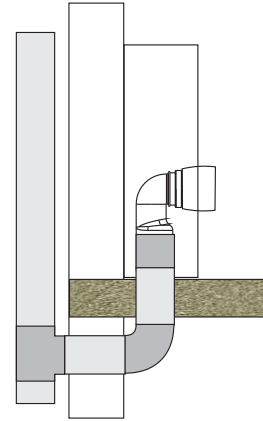
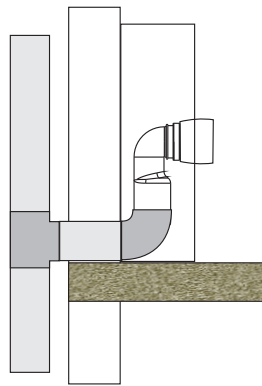
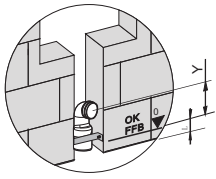
Examples of types of installation

3.



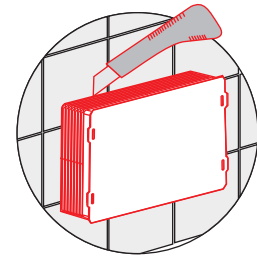
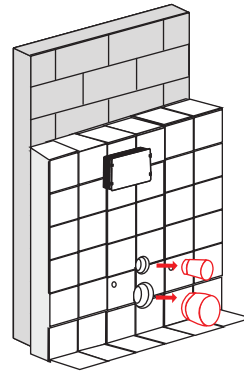
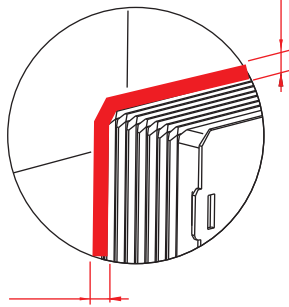
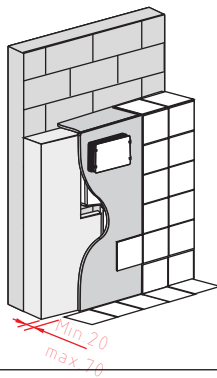
- (1) Fit partition wall spacer to hidden cistern;
- (2) Batten walls in position required by your installation
- (3) Attach cistern bracket to battens

5.



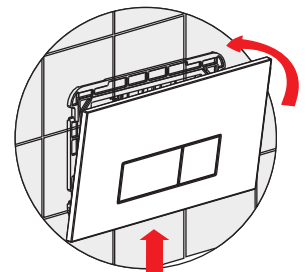
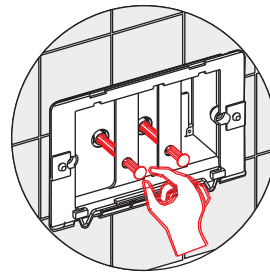
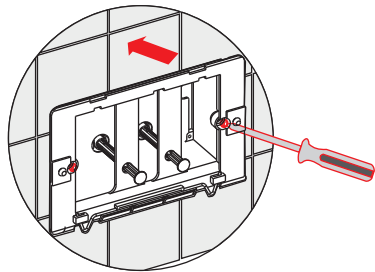
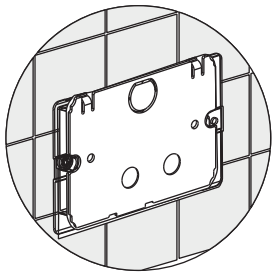
Fit soil pipe as required

6.



Trim wall spacer.

7. Install flush plate bracket, push rods should screw up to smooth shoulder, trim accordingly and install. Fit flush plate(supplied separately).



Flush plate not supplied

8. Install WC

