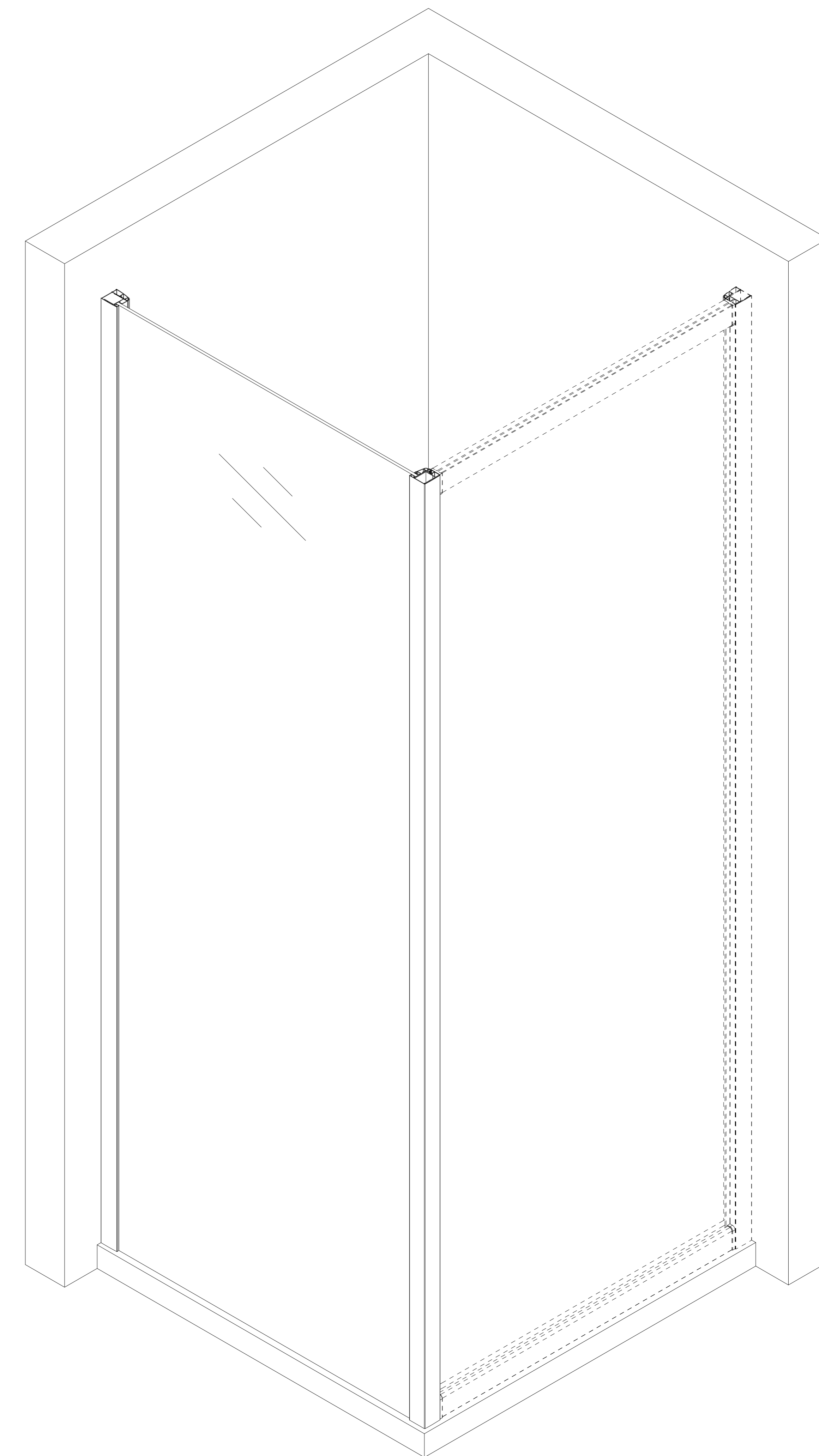
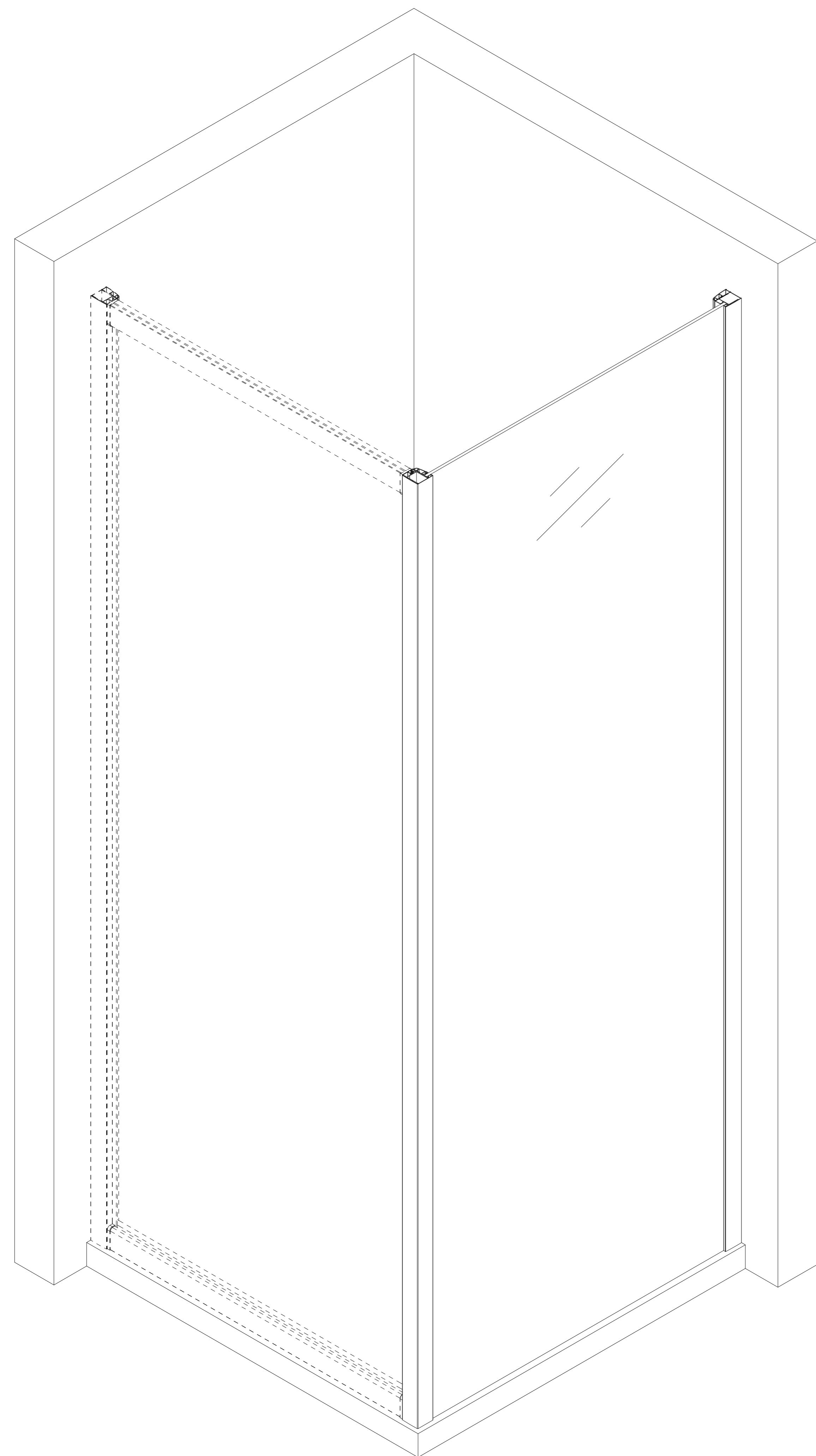
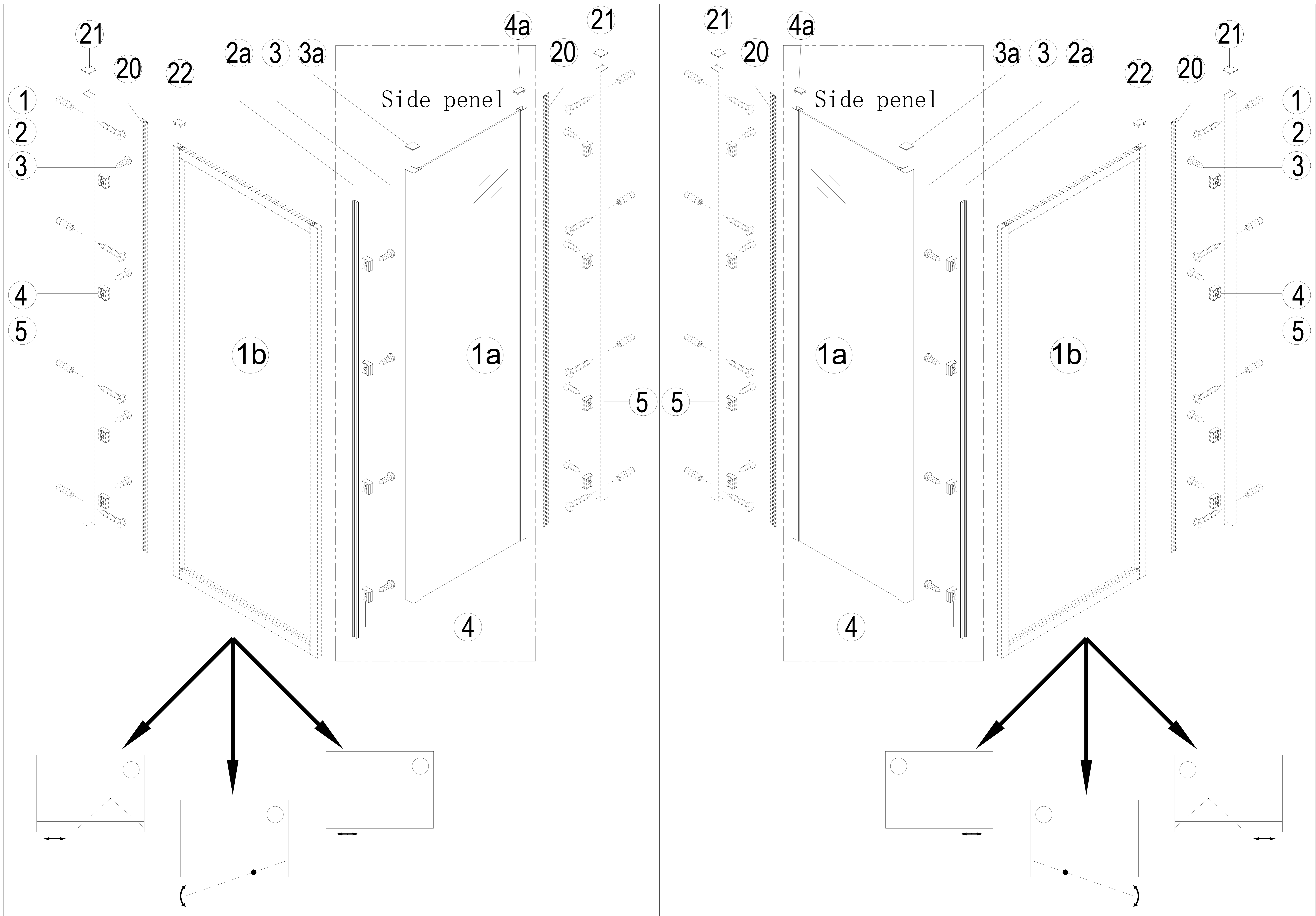
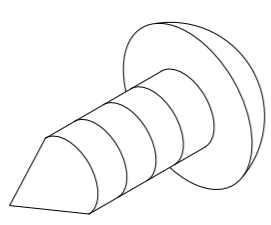
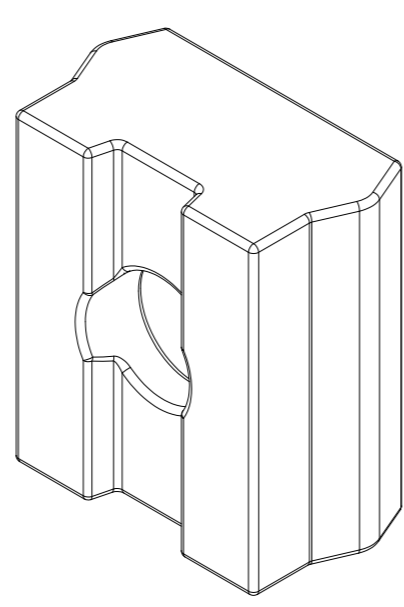
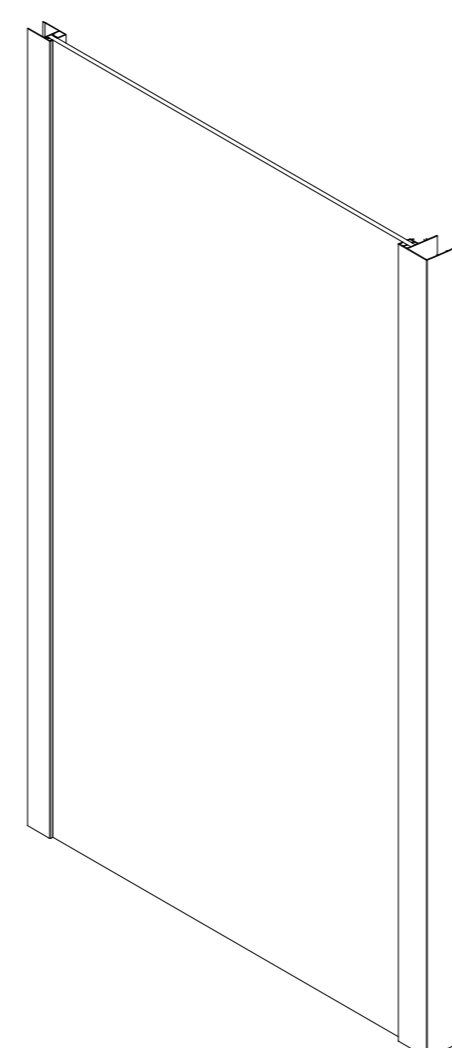
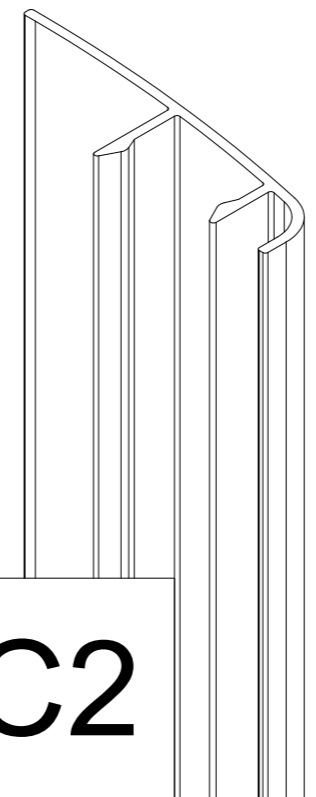
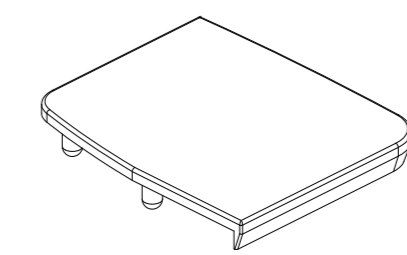
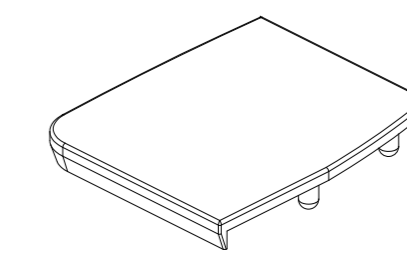
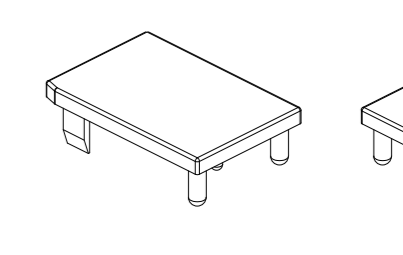
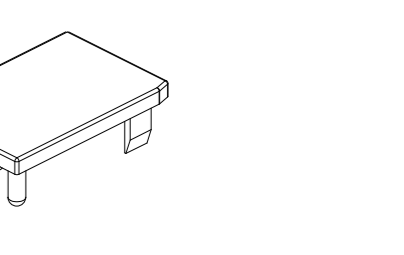
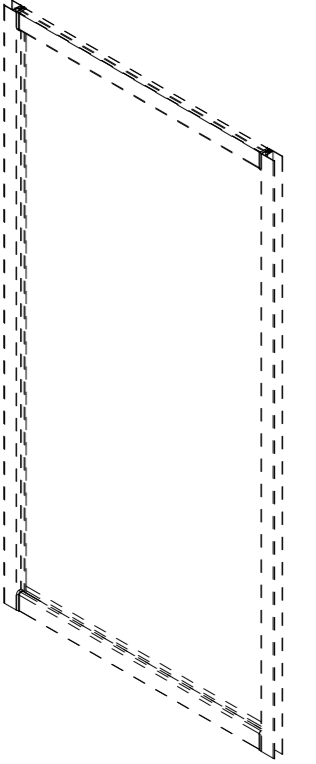
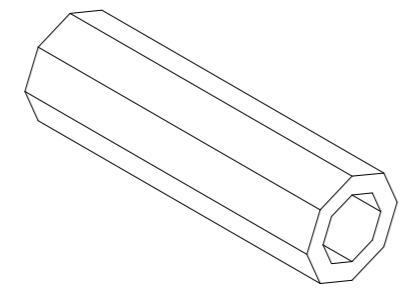
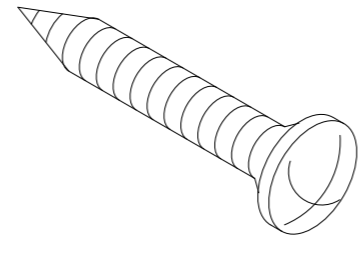
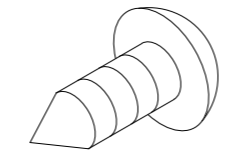
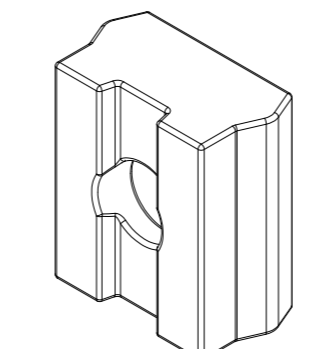
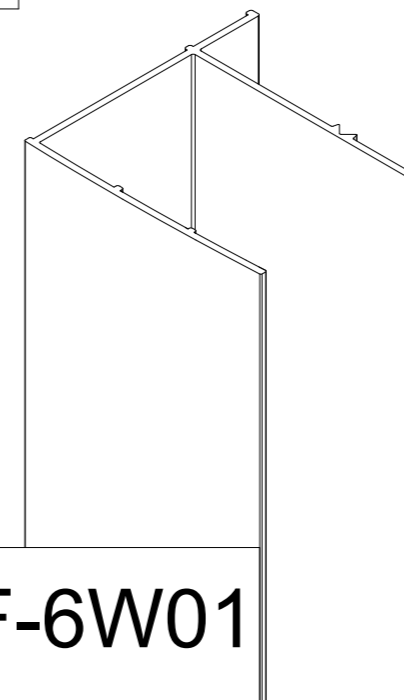
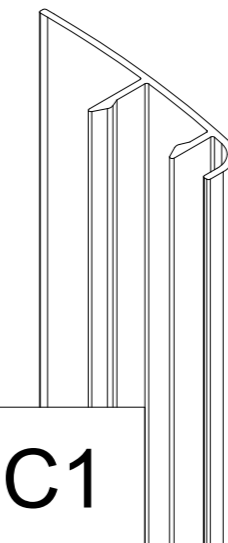
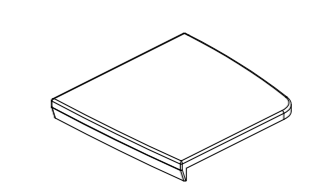
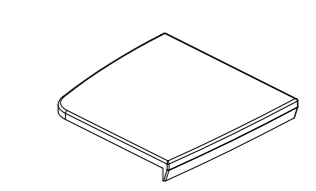
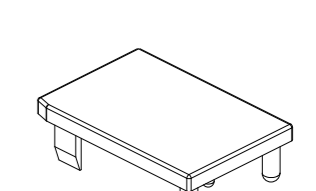
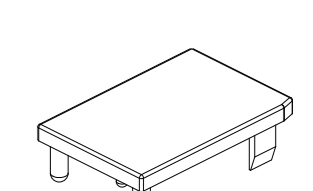


49. 5014/49. 5015/49. 5016/49. 5017/49. 5018



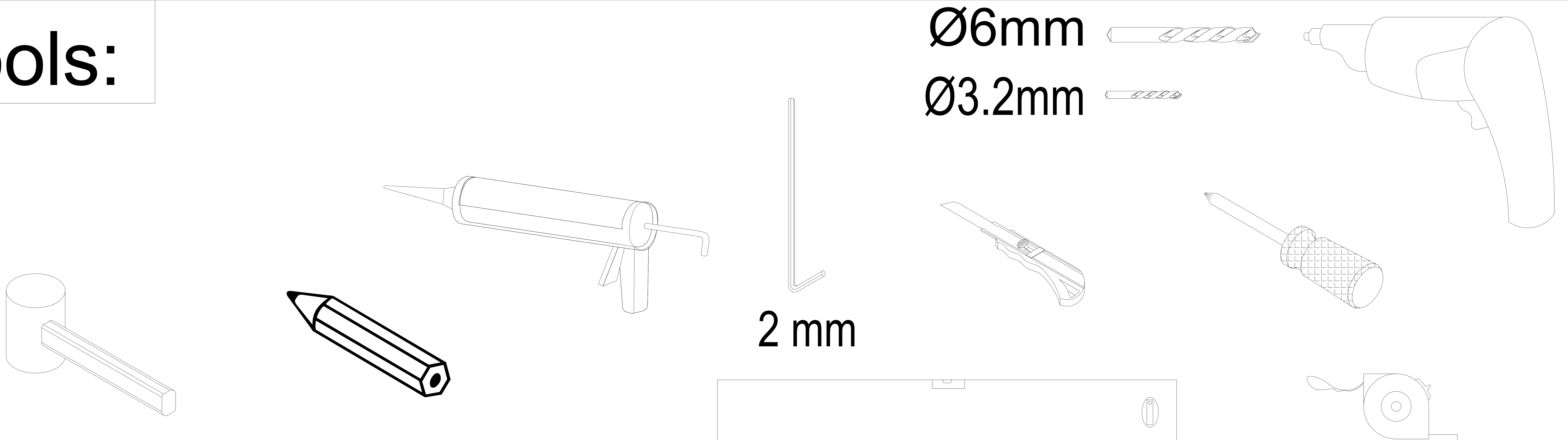


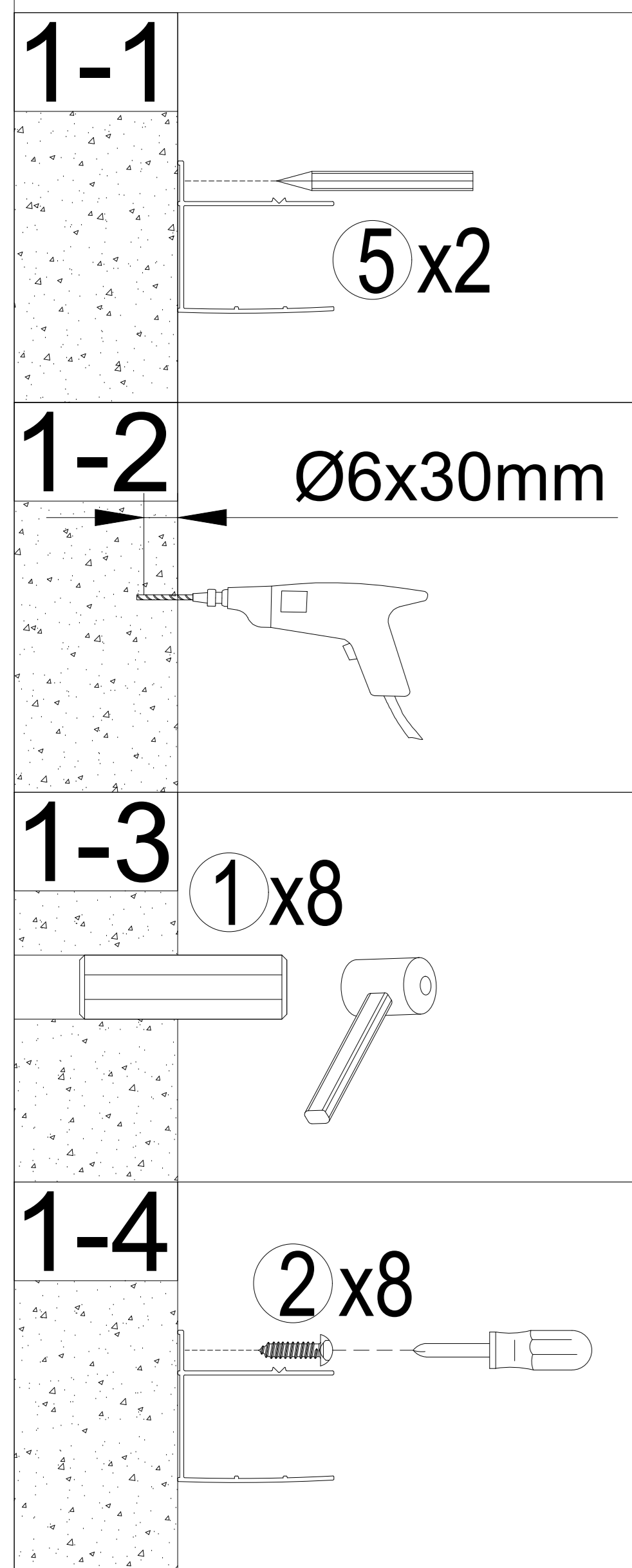
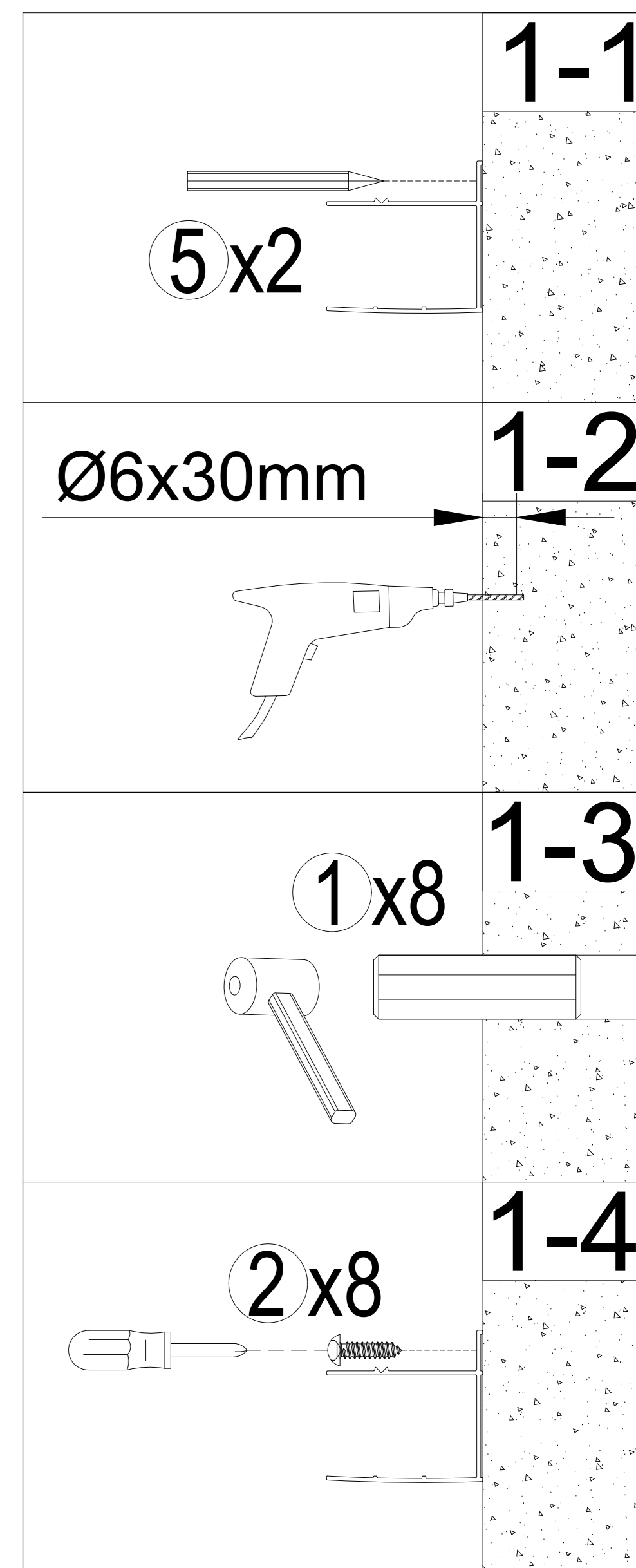
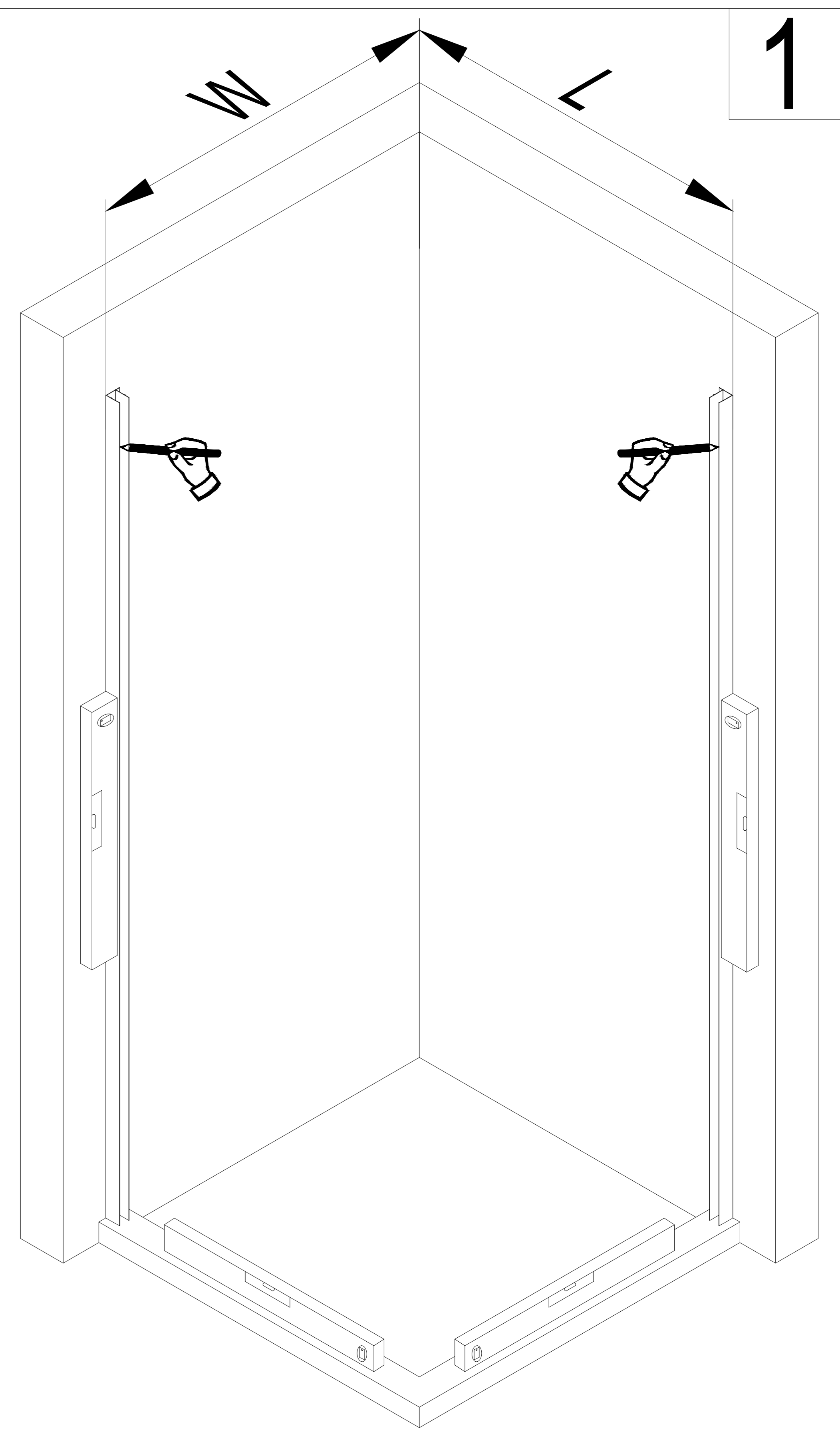
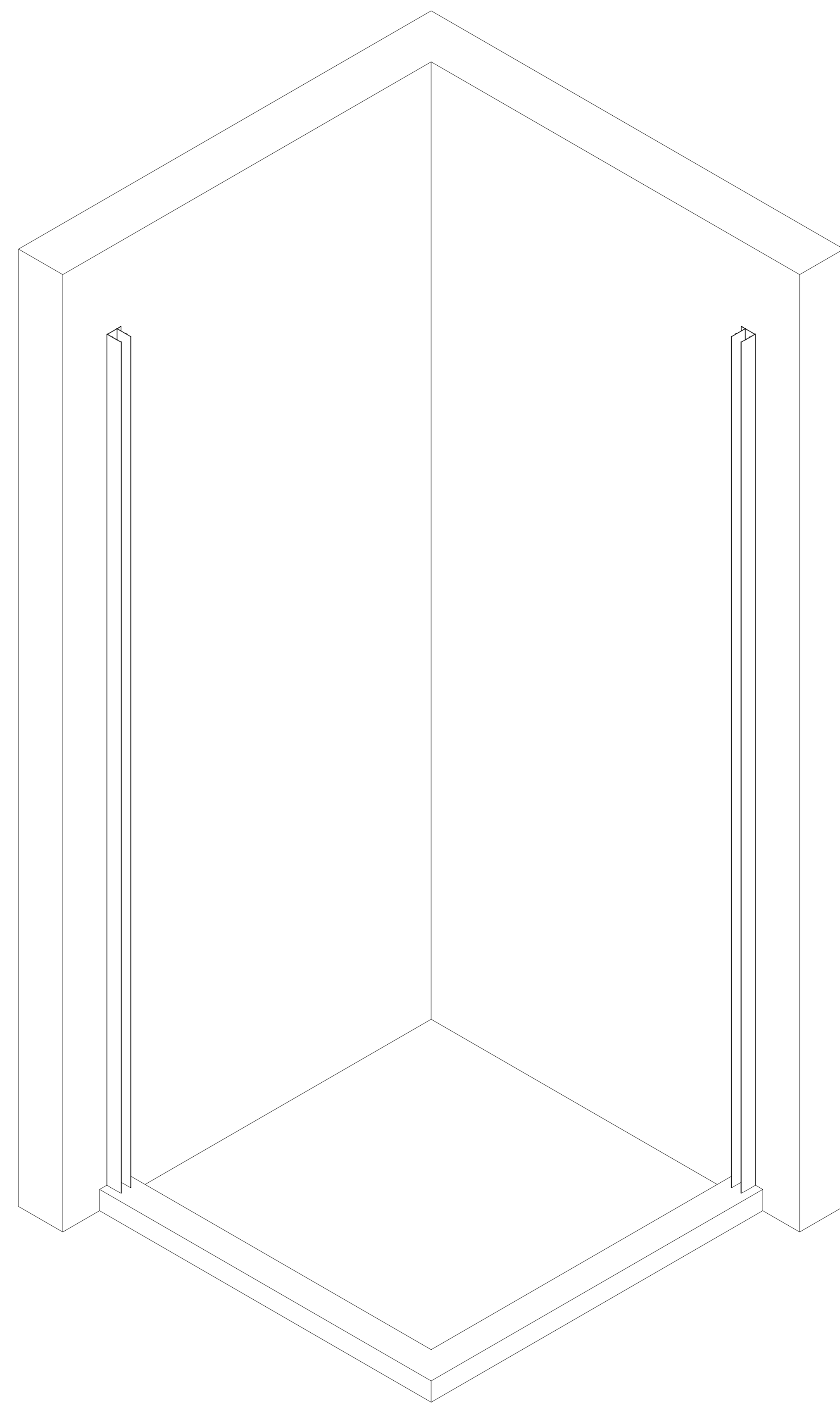
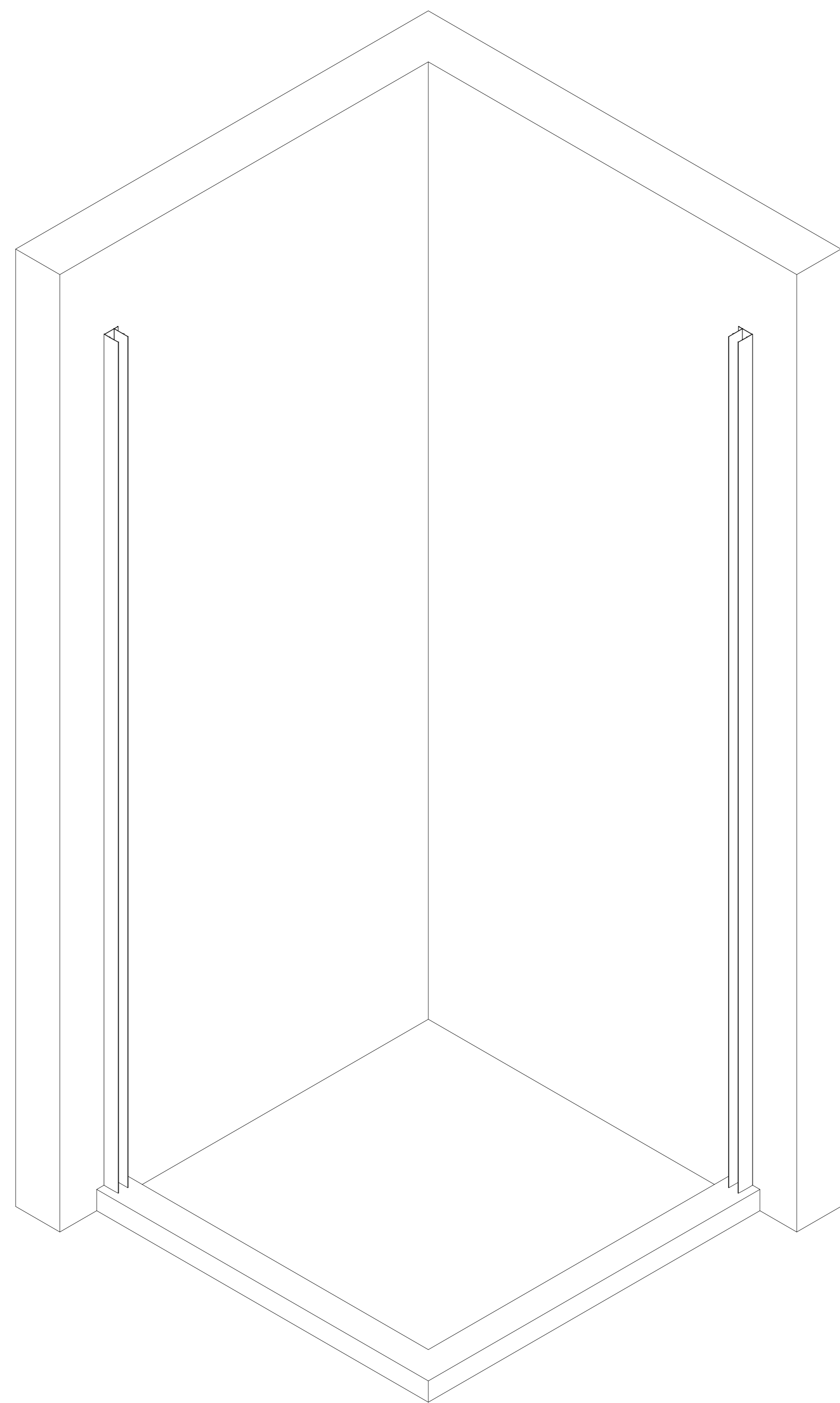
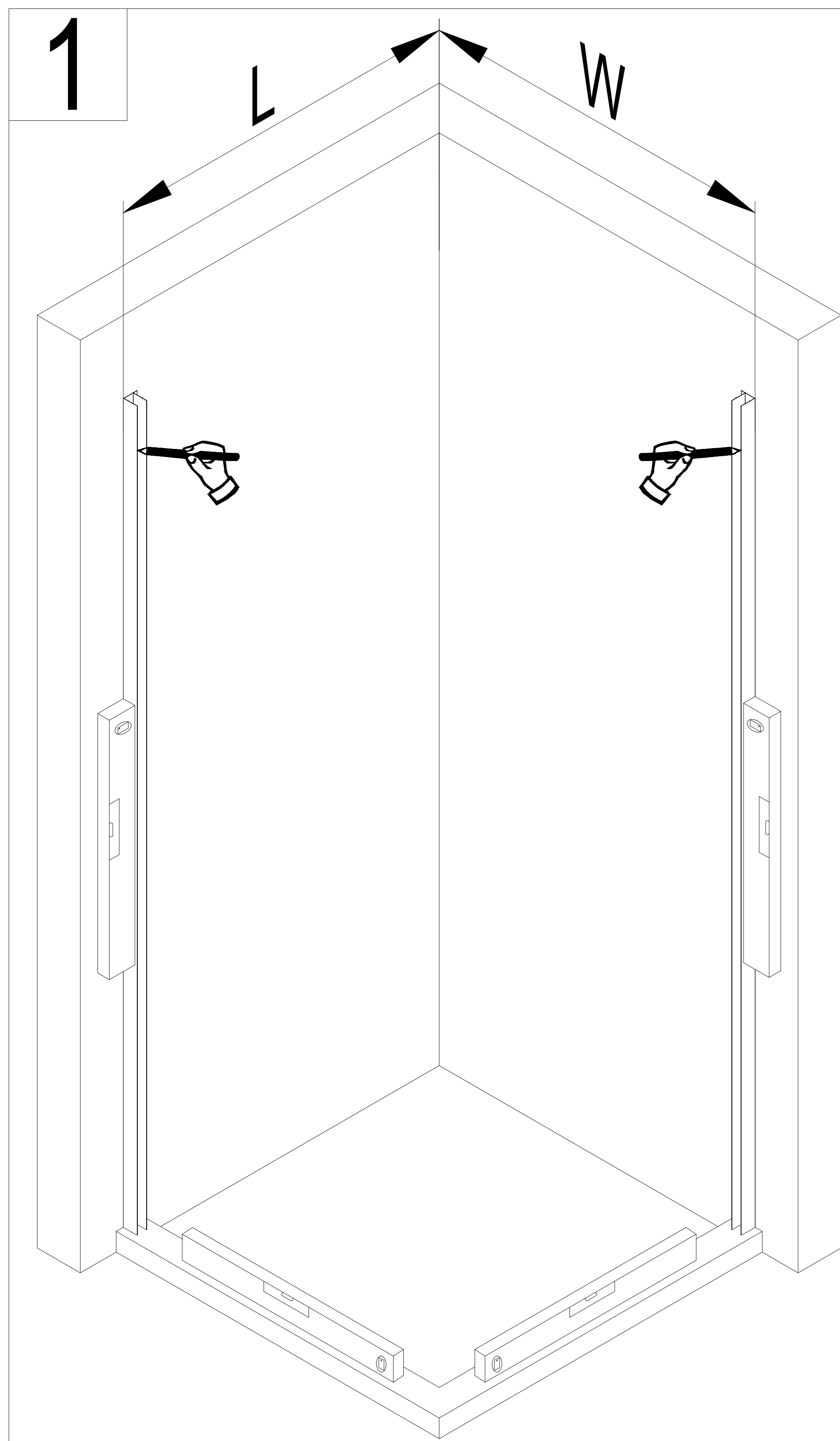
Side Panel	3		4		1a		2a		3a		4a					
		ST4X12	4Pcs		JRF-6Y01	4Pcs		1Pcs		JRF-6C2	1Pcs	 L  R	JRF-6Y14	2Pcs	 L  R	JRF-6Y13

Door	1b	1	2	3	4	5	20	21	22																
		1Pcs		D6x30	8Pcs		ST4X30	8Pcs		ST4X12	8Pcs		JRF-6Y01	8Pcs		JRF-6W01	2Pcs		JRF-6C1	2Pcs	 L  R	JRF-6Y12	2Pcs	 L  R	JRF-6Y13

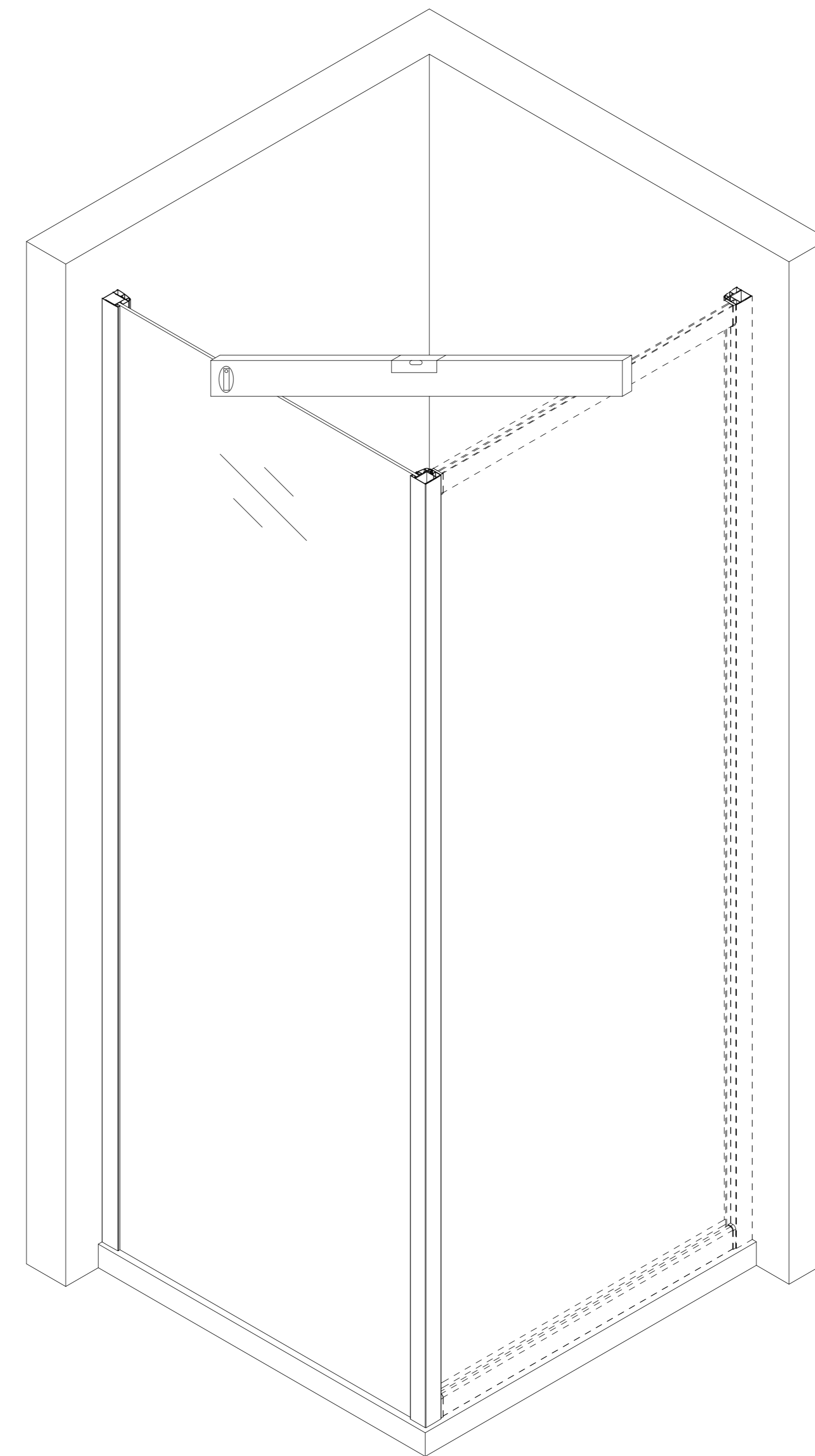
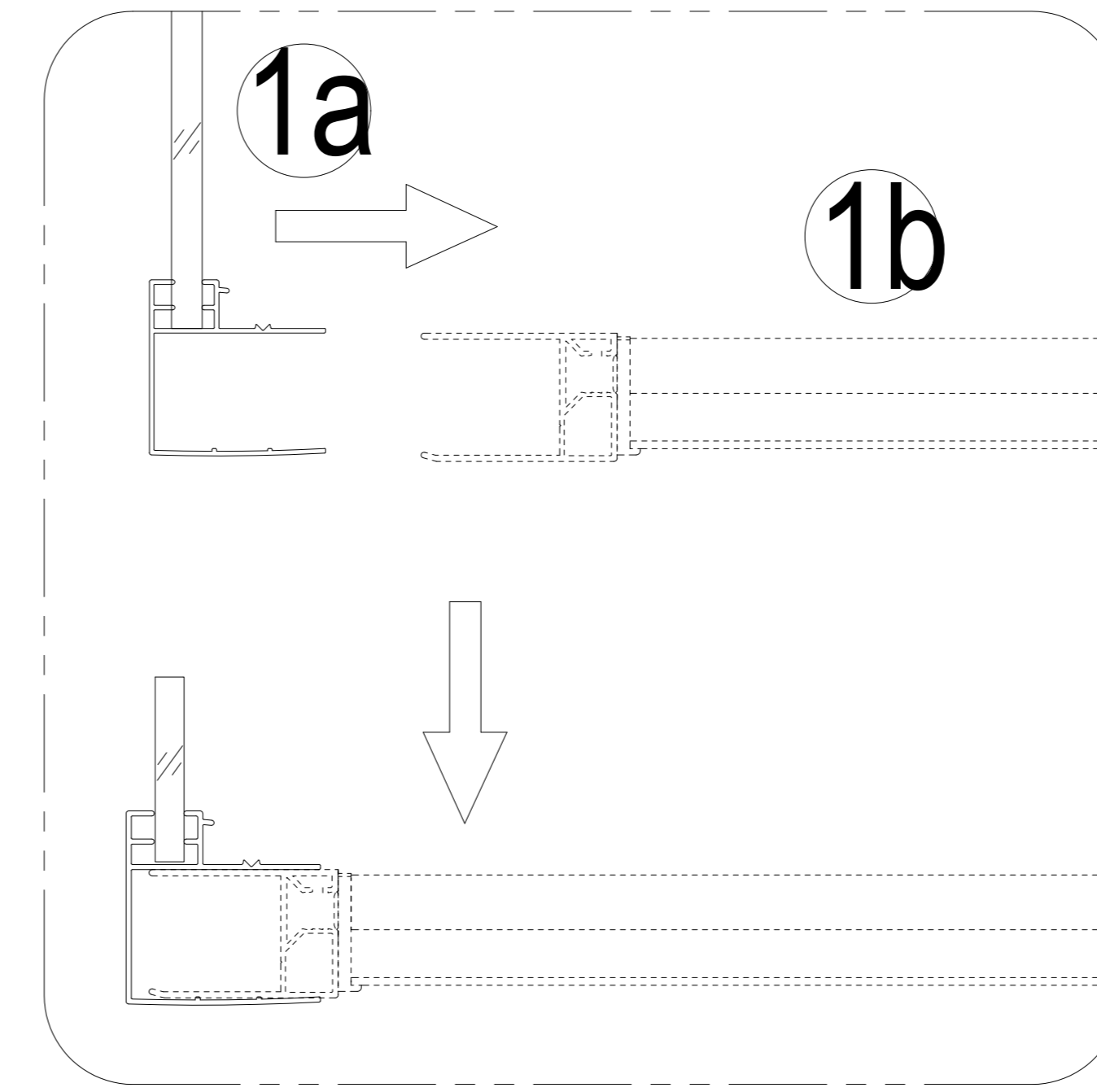
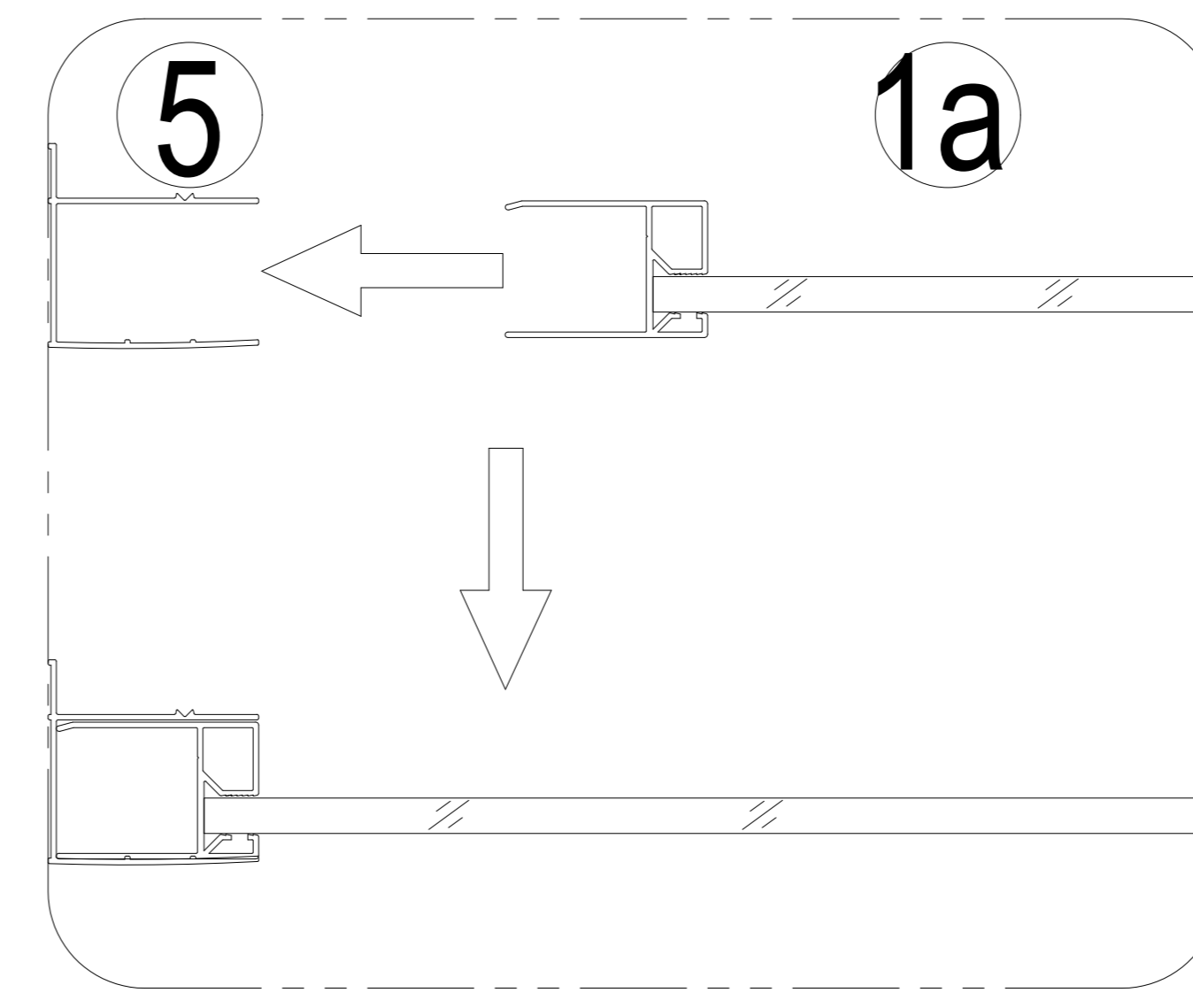
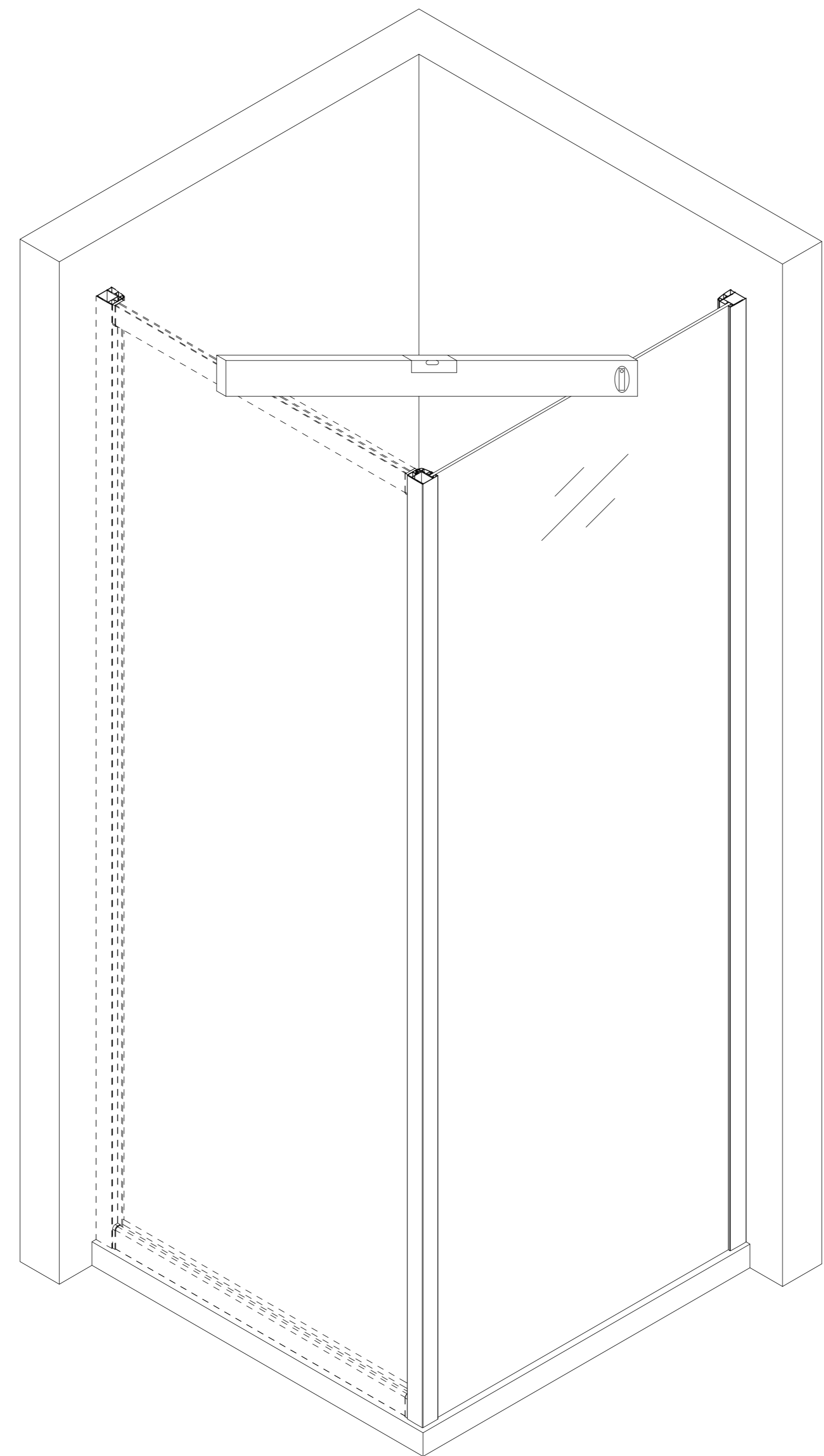
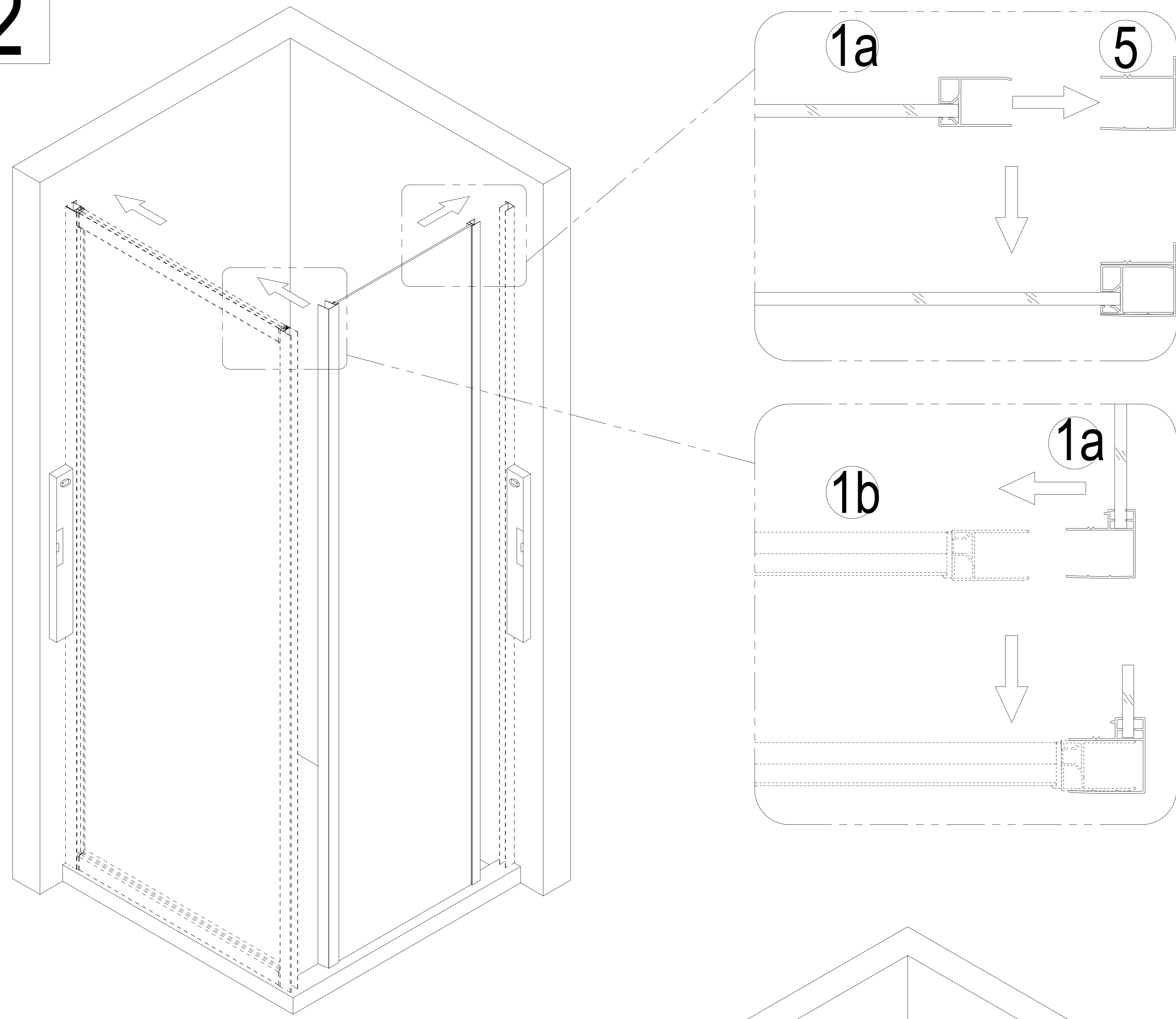
Reminder, part 1b, 1, 2, 3, 4, 5, 20, 21, 22 of above “Door” are packed inside door carton, not inside the side panel carton

# Tools:

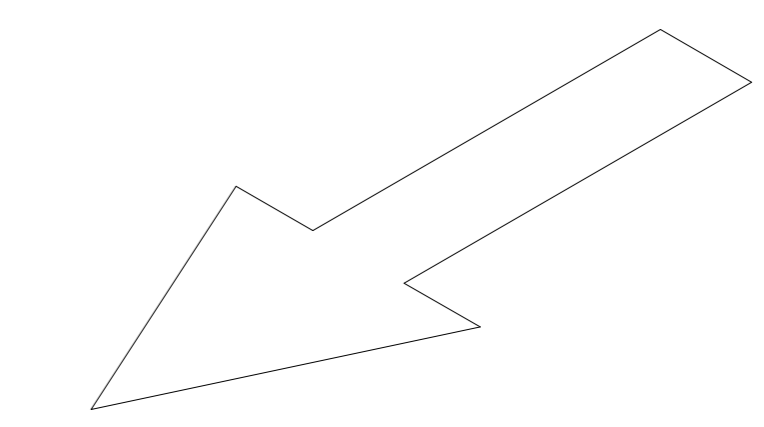
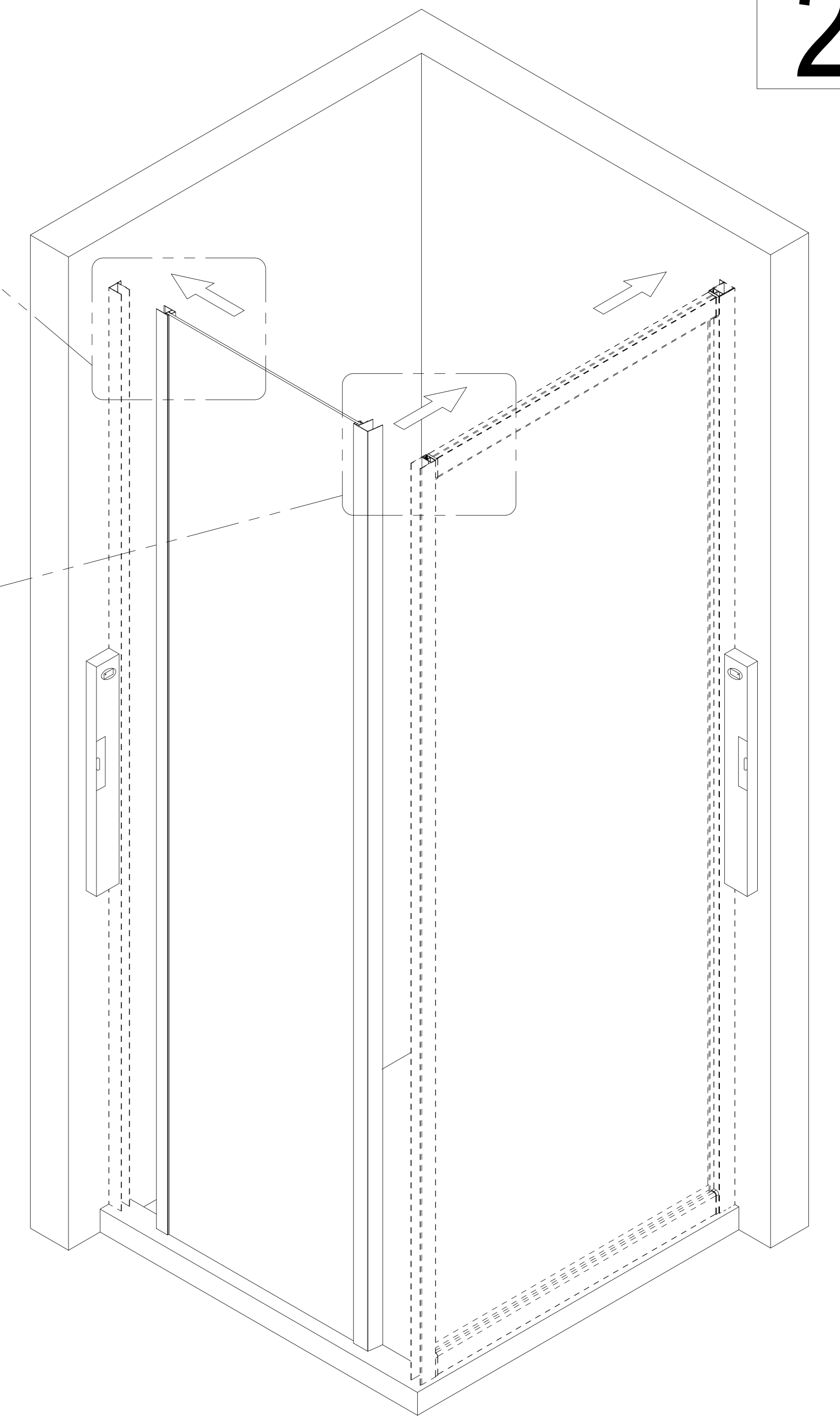




2



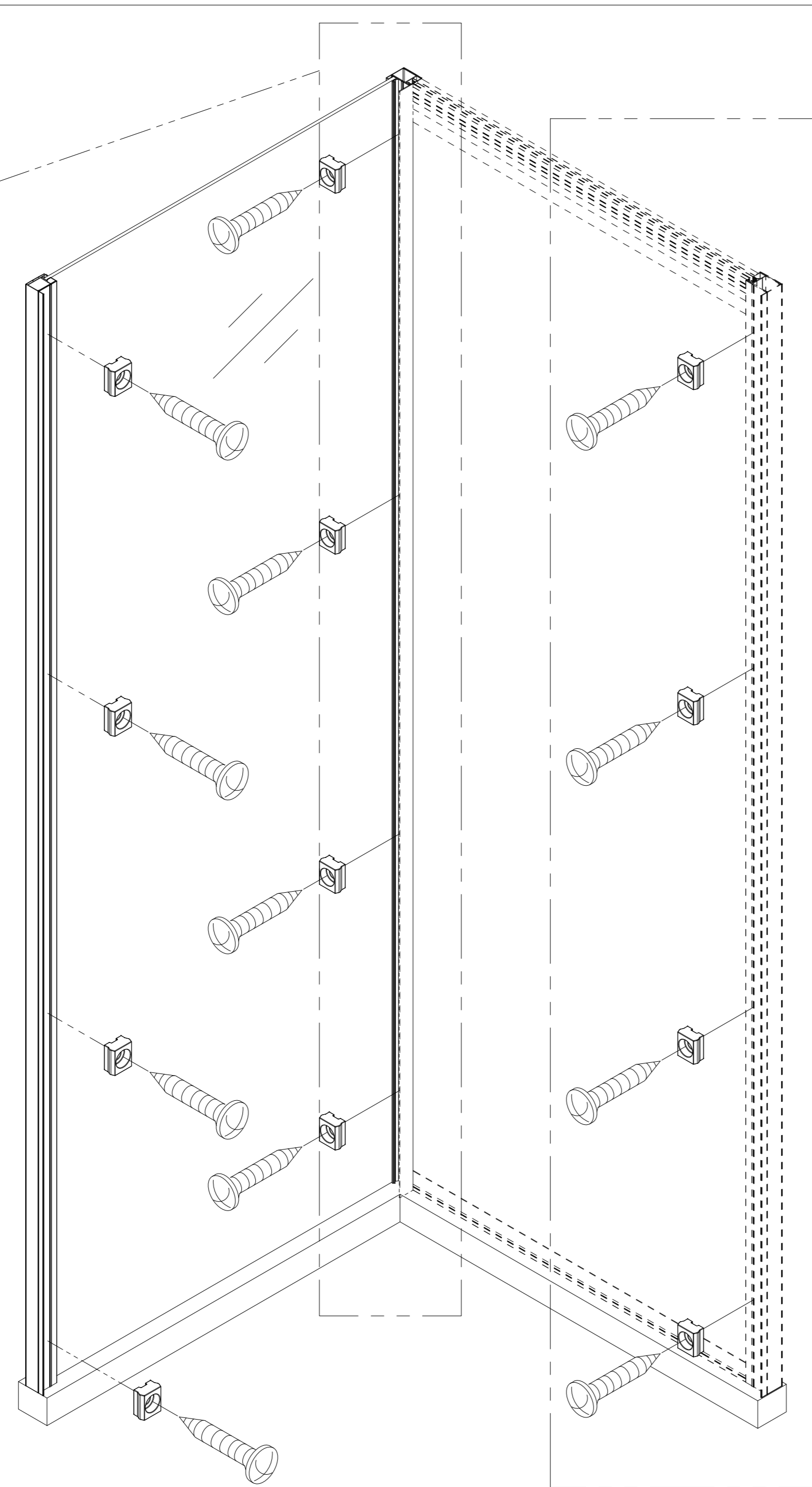
2



3

Ø3.2mm  
0-20mm

2a x1  
3 x4  
4 x4



Ø3.2mm  
0-20mm

3-13-1

Ø3.2mm  
0-20mm

3 x8  
4 x8

3-23-2

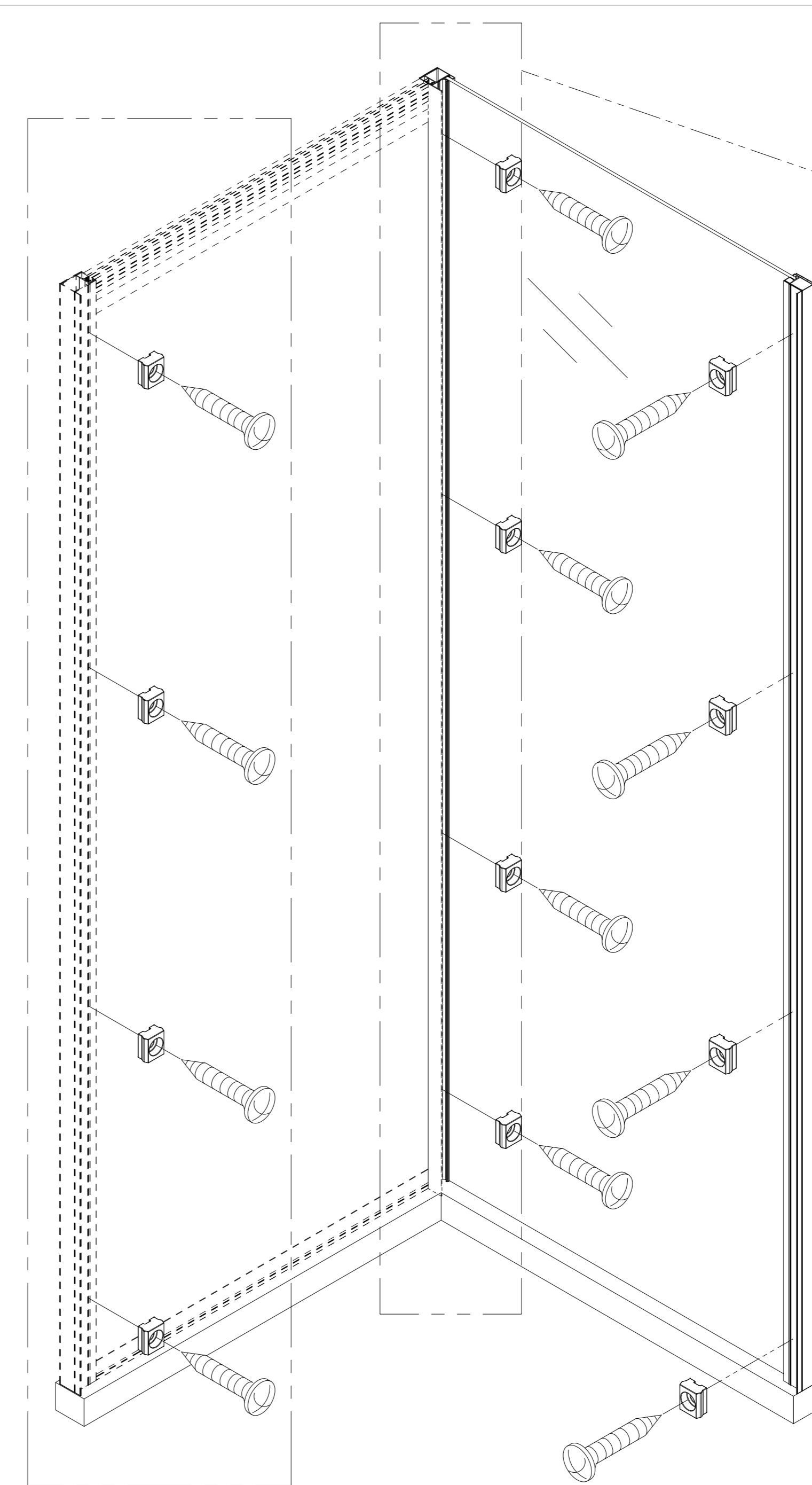
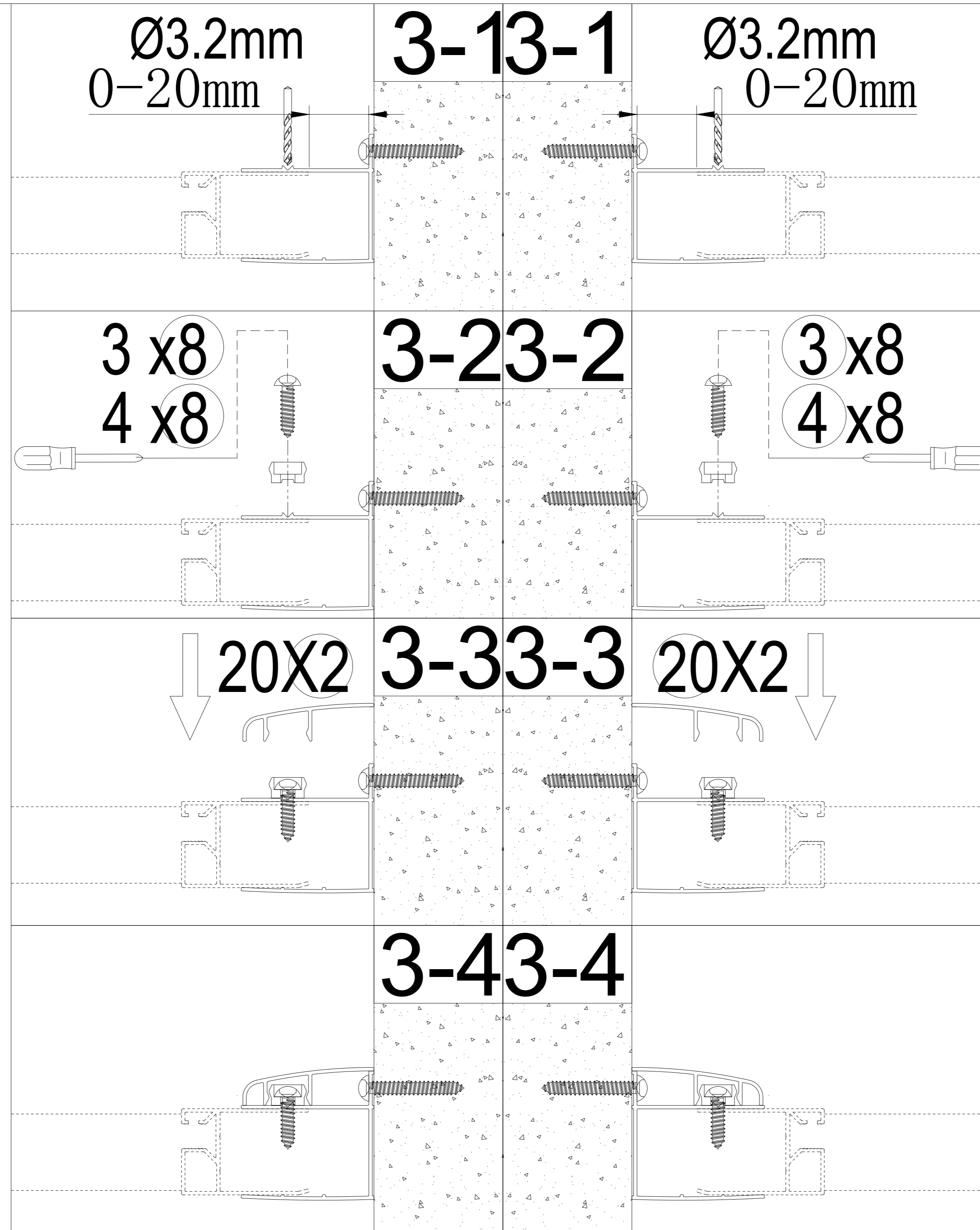
3 x8  
4 x8

20X2

3-33-3

20X2

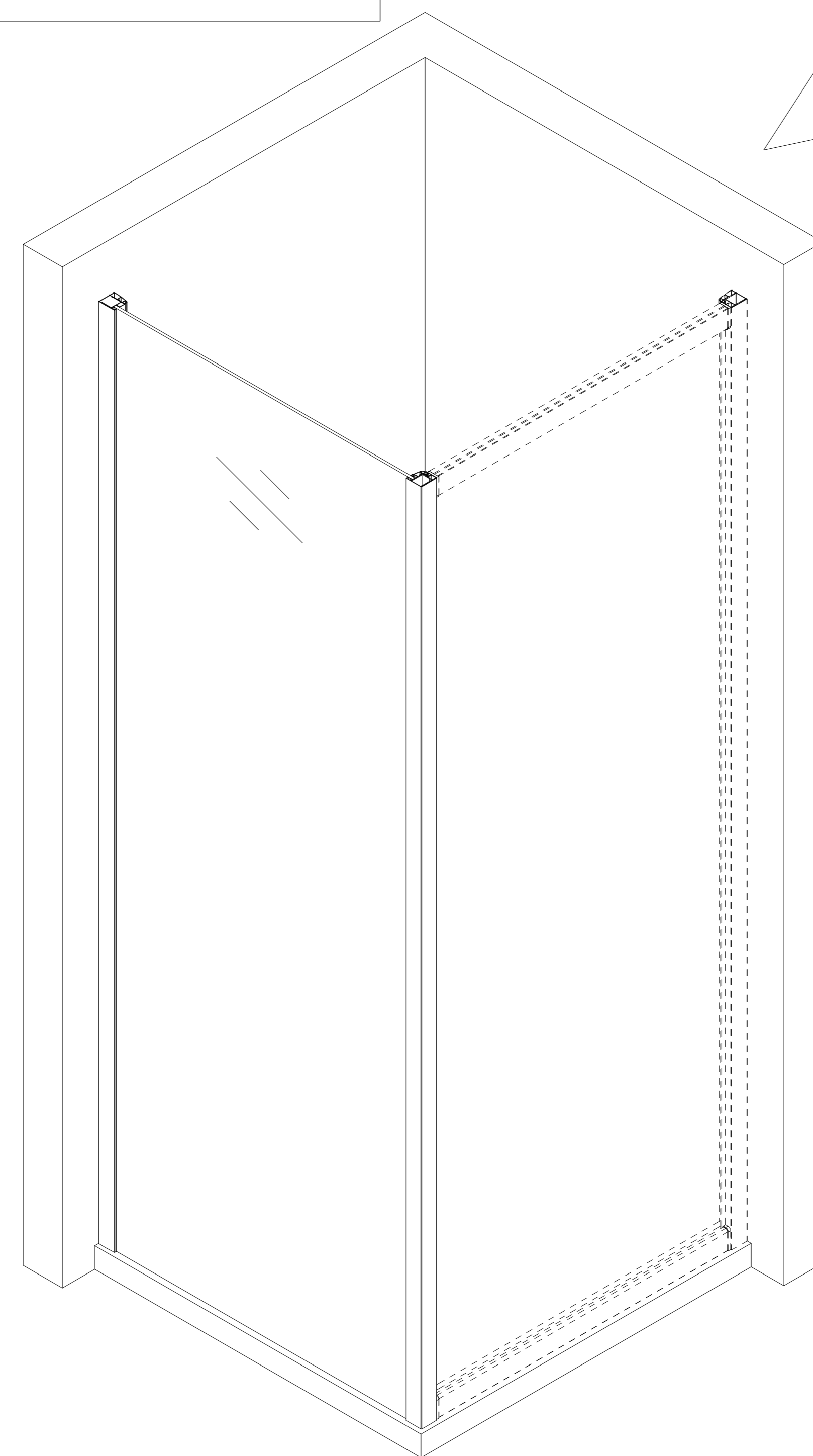
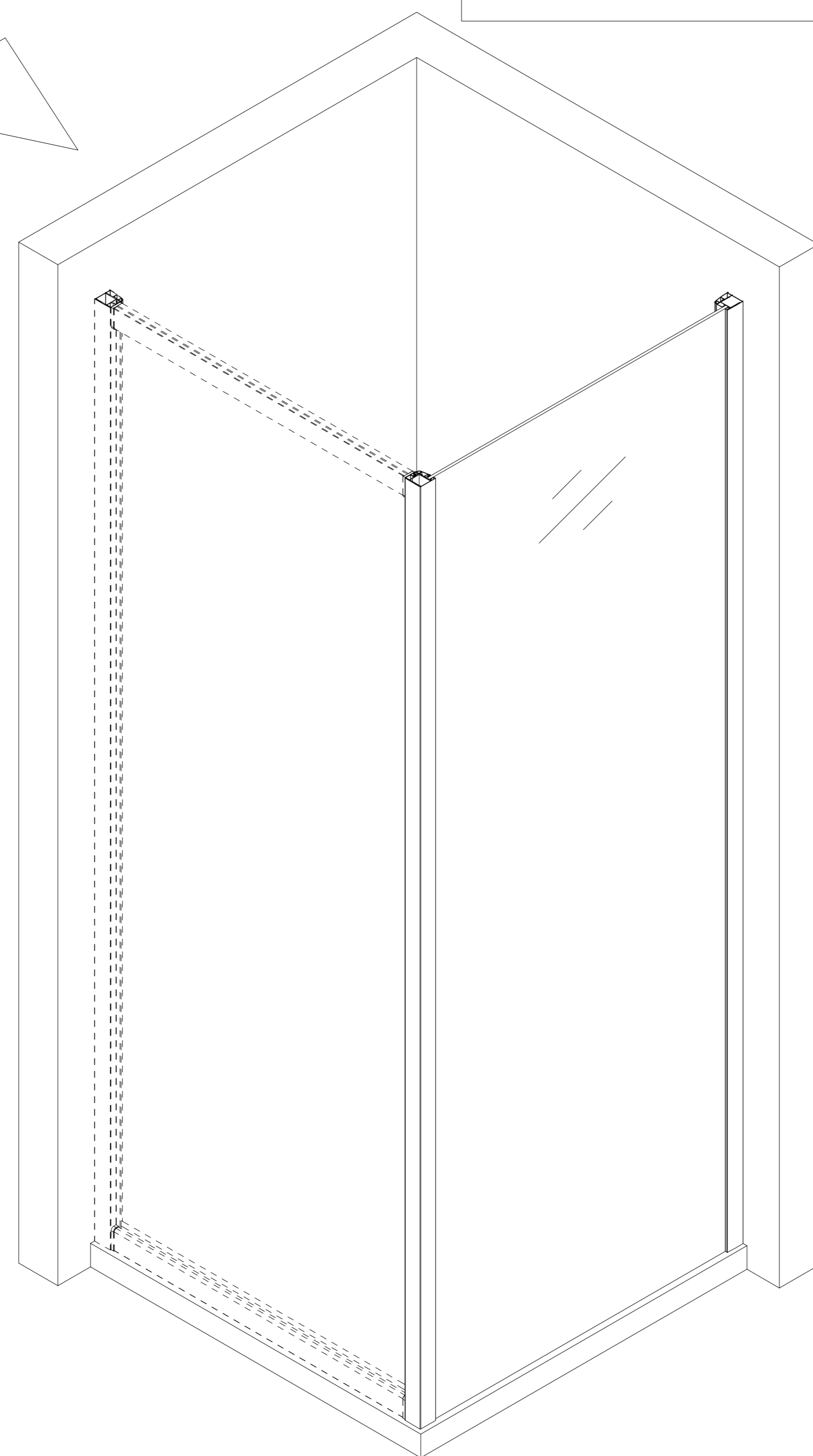
3-43-4

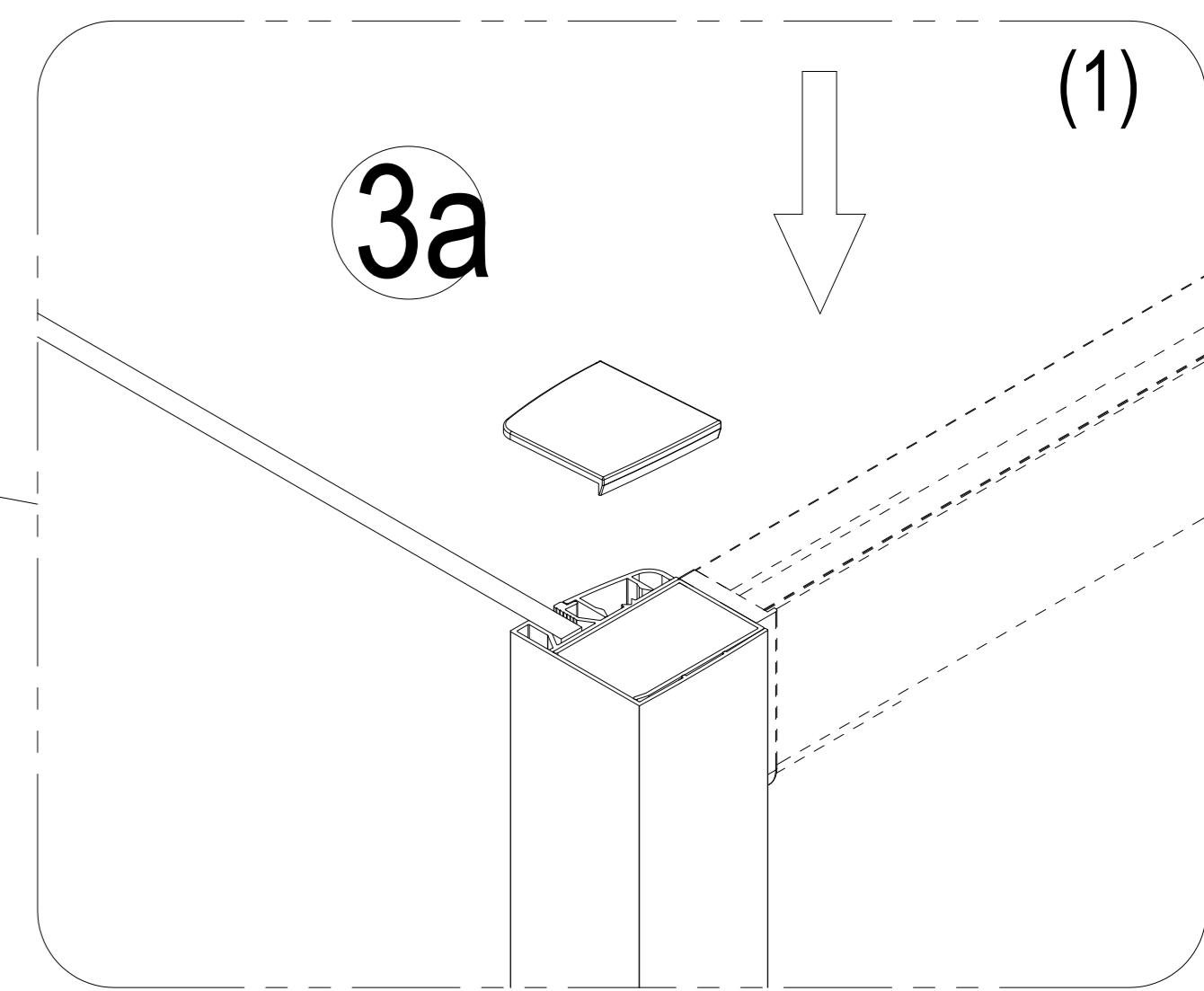
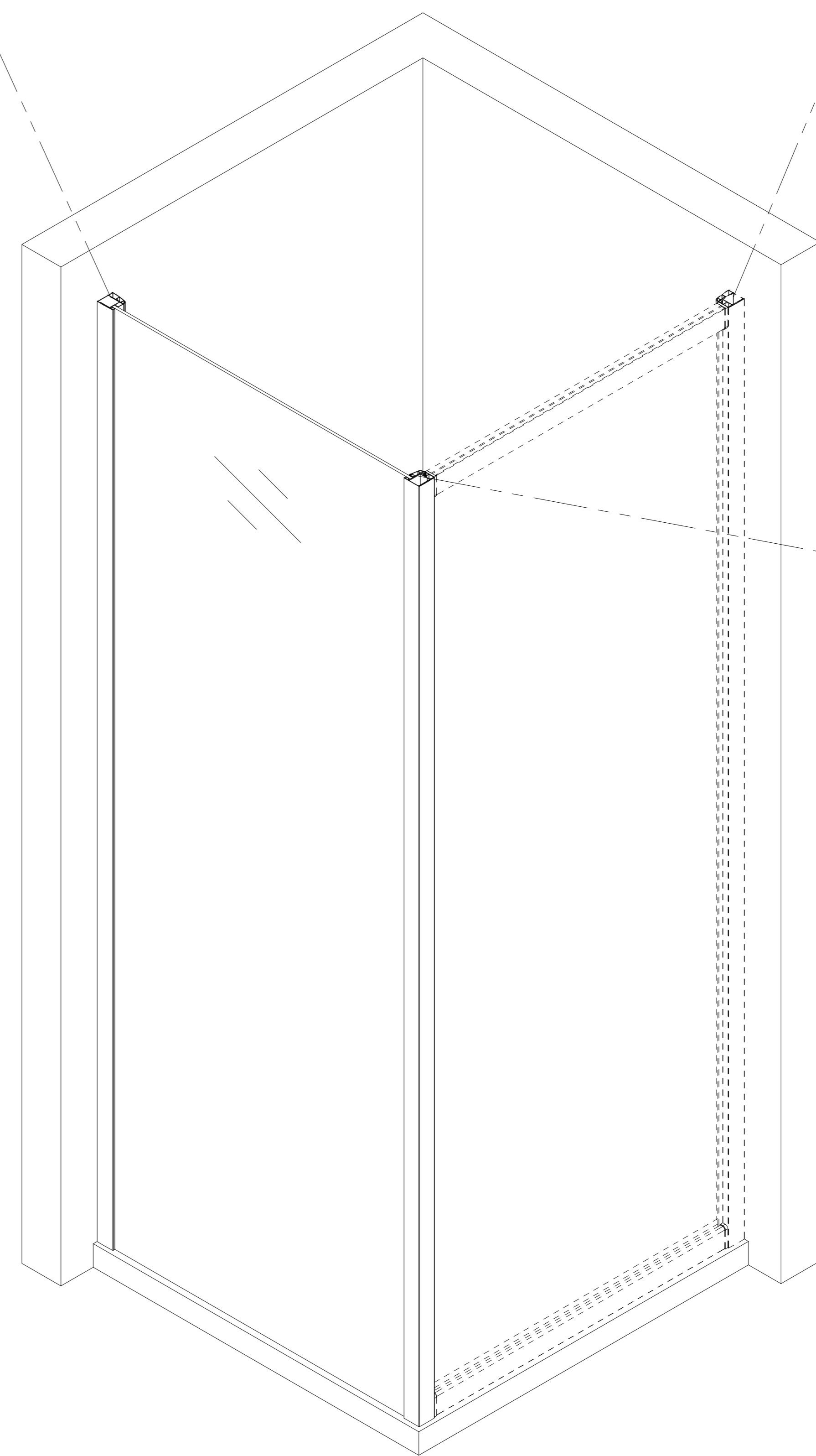
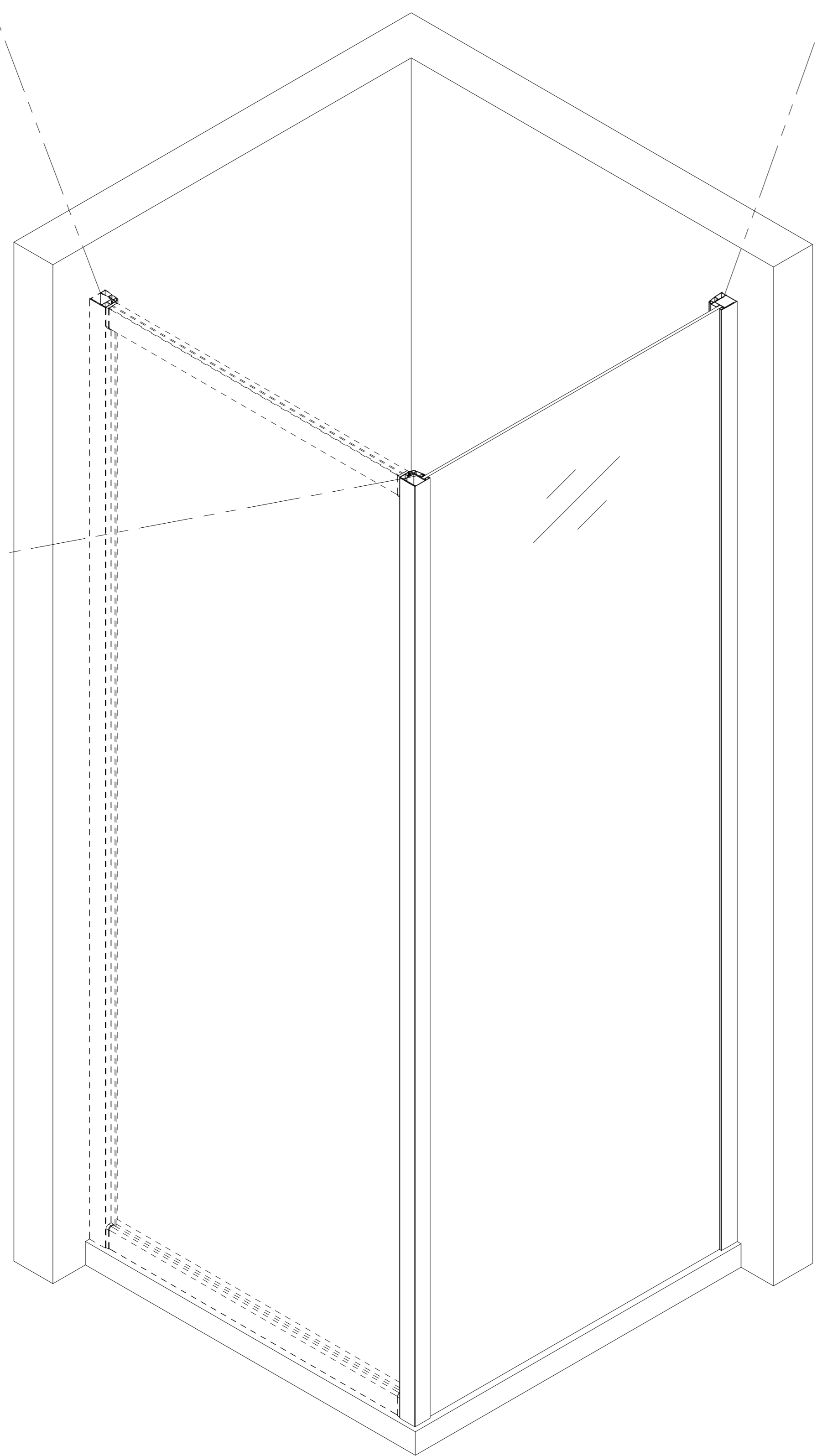
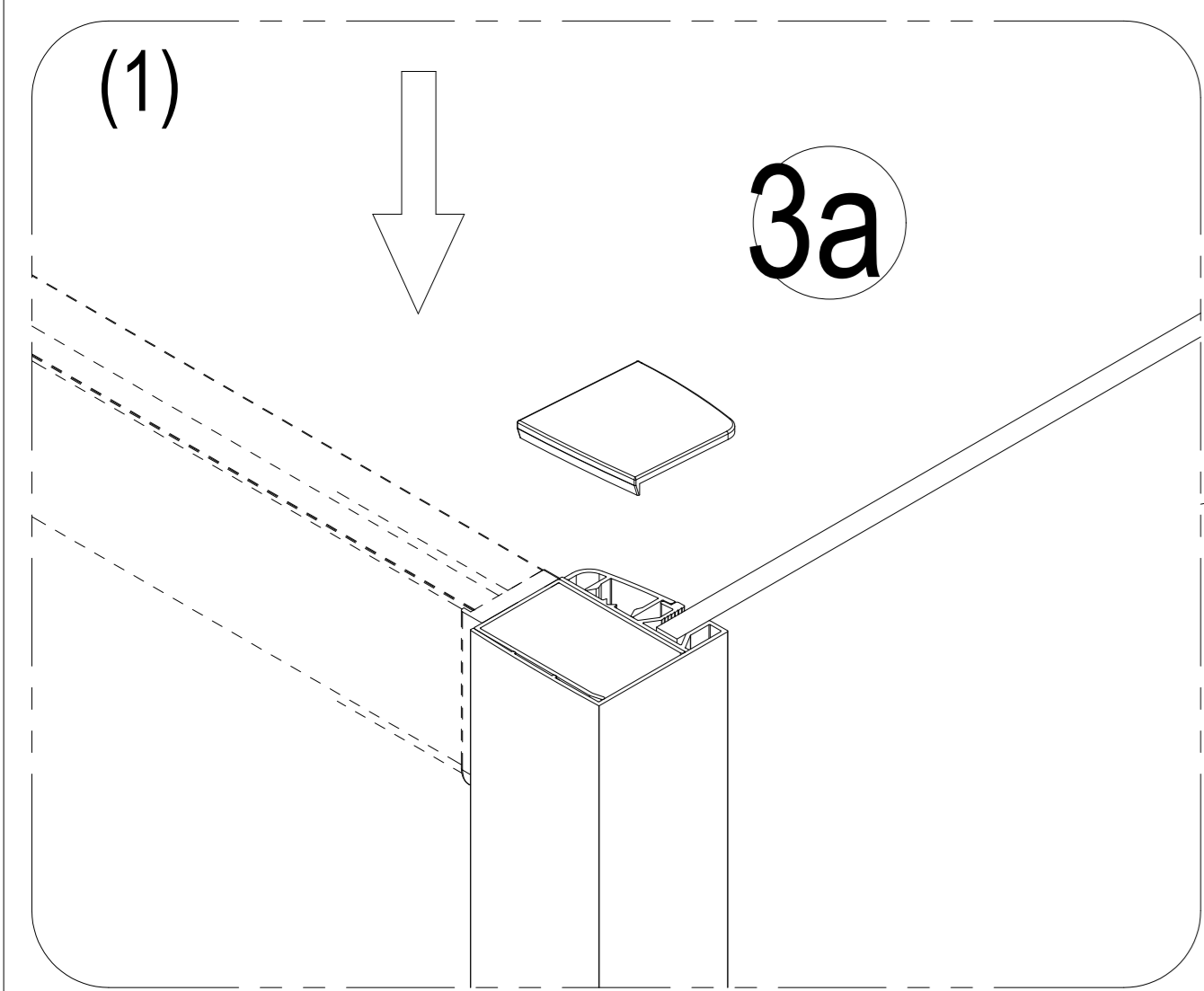
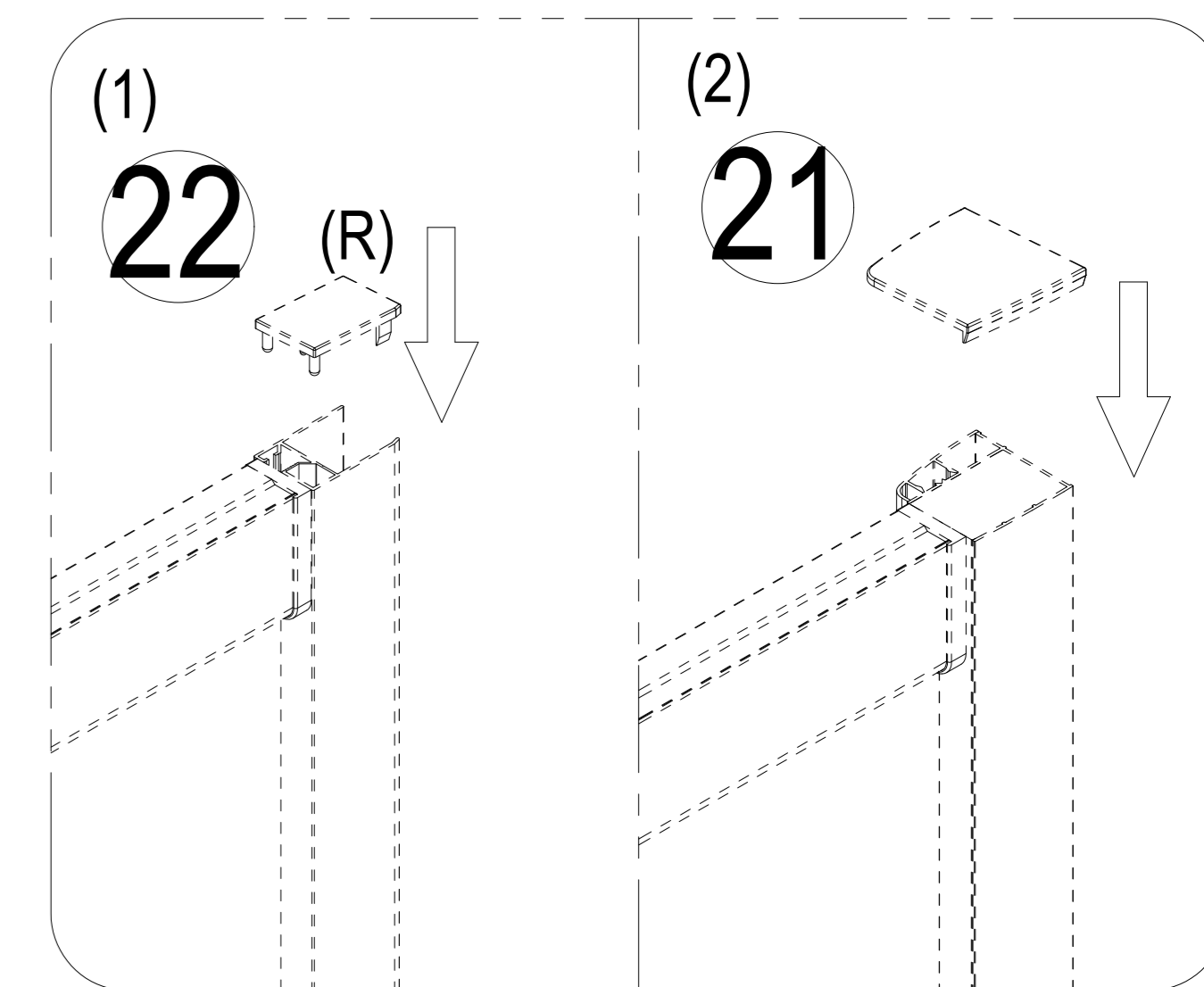
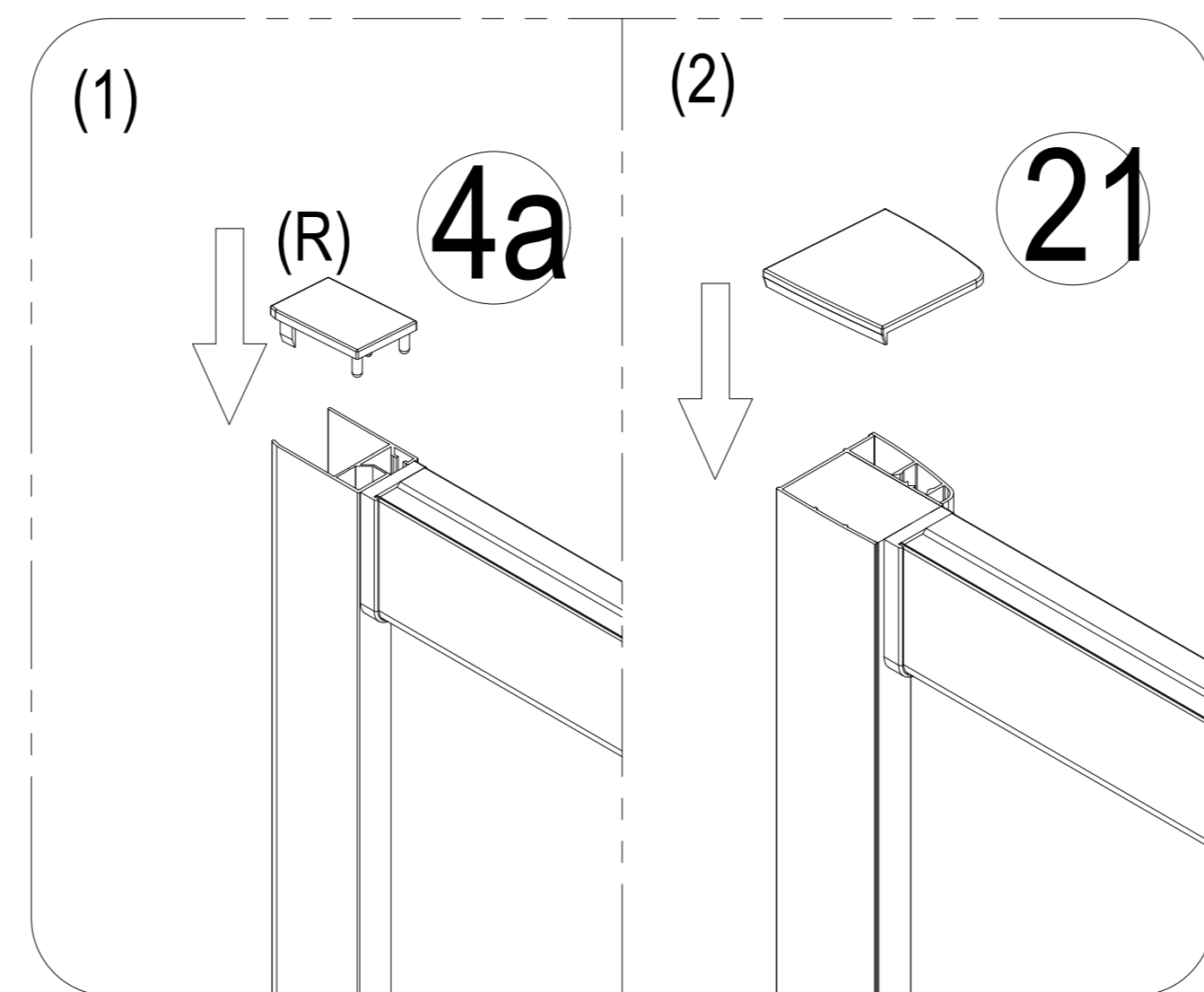
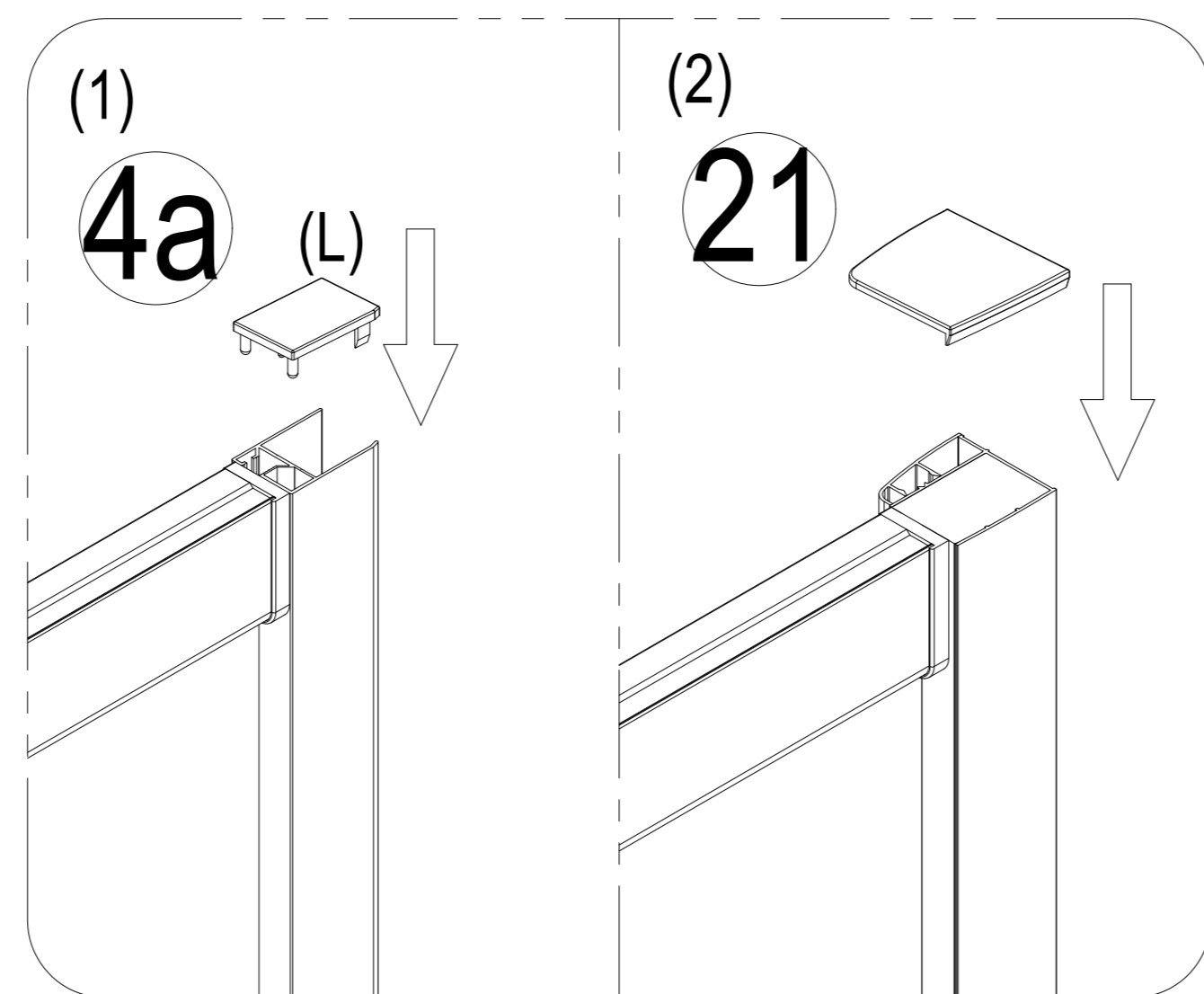
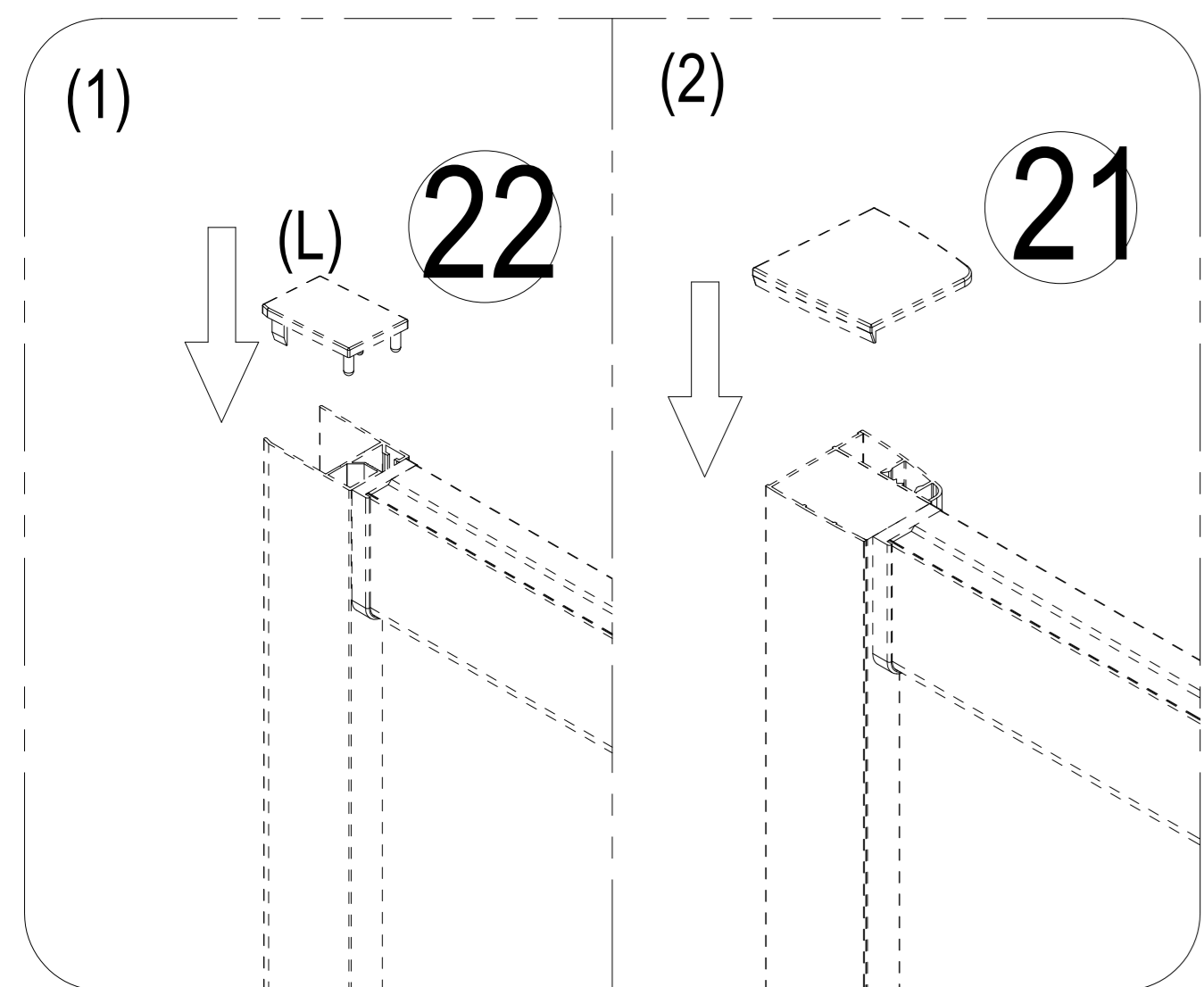


Ø3.2mm  
0-20mm

2a x1  
3 x4  
4 x4

3

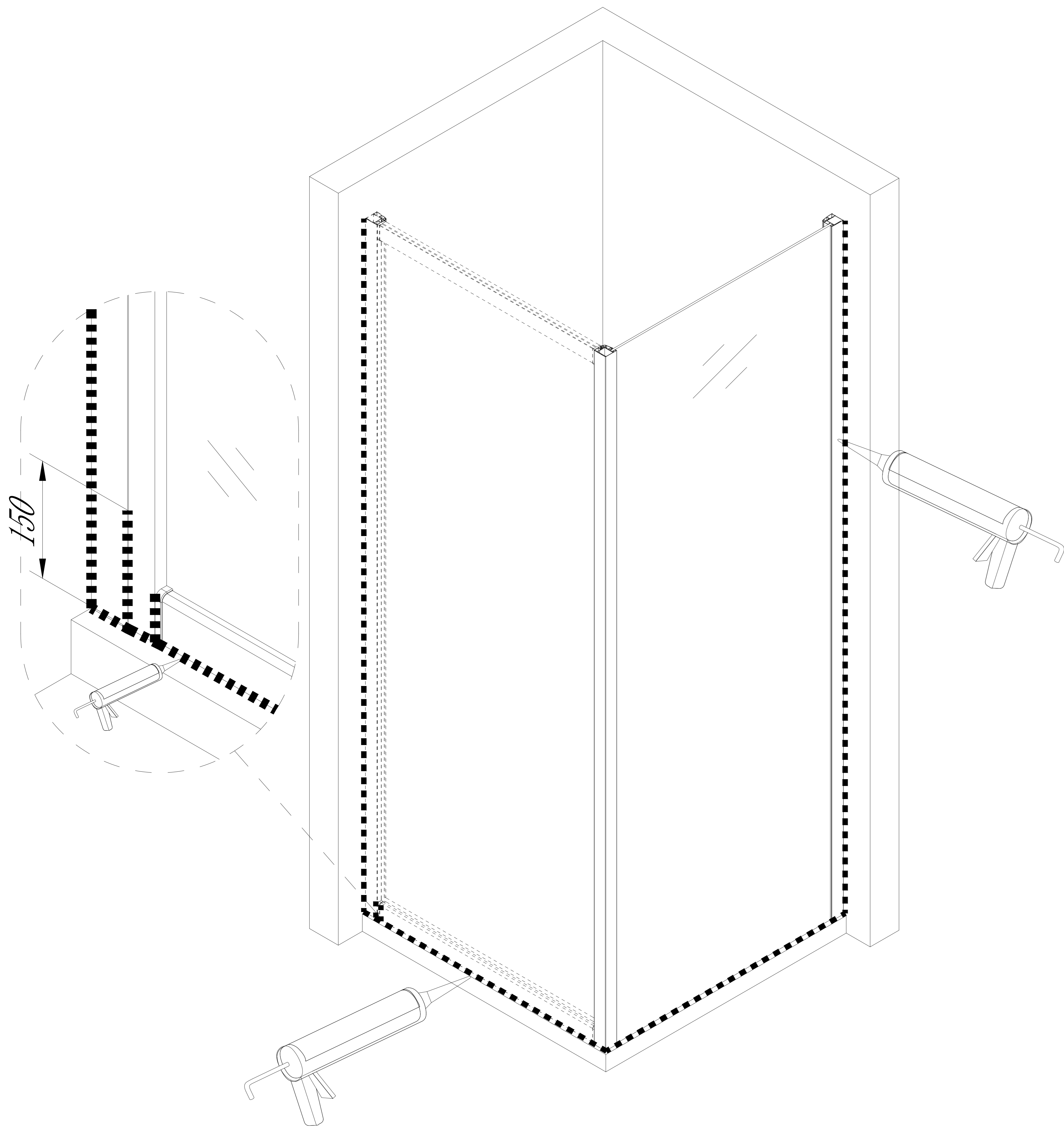




5

Care Instructions:

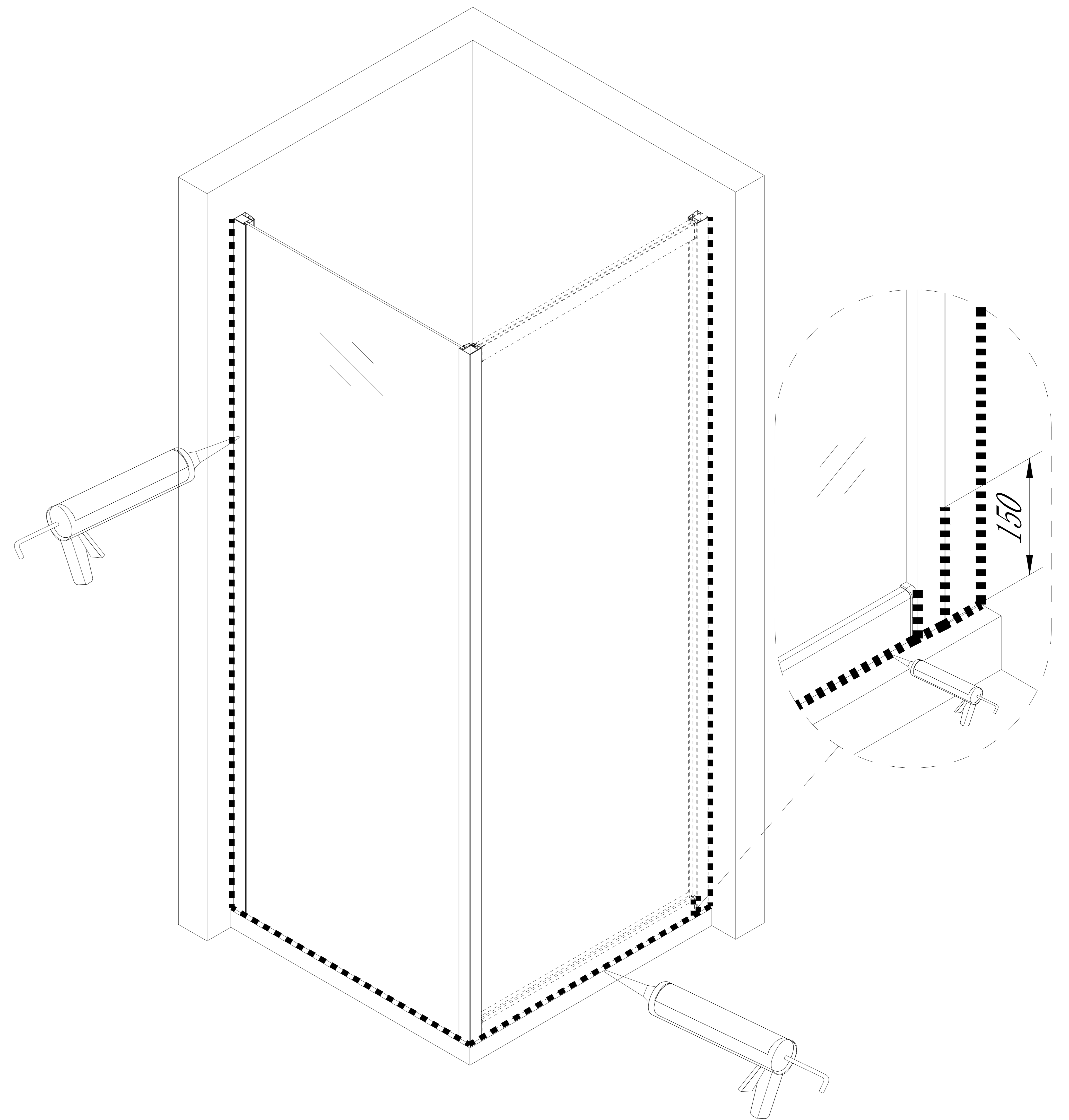
Do not use your shower enclosure within 24 hours of assembly .  
Do not use caustic cleaning products or abrasive material when cleaning your shower enclosure.



5

Care Instructions:

Do not use your shower enclosure within 24 hours of assembly .  
Do not use caustic cleaning products or abrasive material when cleaning your shower enclosure.





# Eastbrook

Eastbrook Road, Gloucester GL4 3DB

Technical Helpline: 01452 317890

Email: [technical@eastbrookco.com](mailto:technical@eastbrookco.com)

## Cleaning and Maintenance of Shower Enclosures

Do not clean the shower enclosure with irritant detergents such as alcohol, bleach or other chemical cleaners.

Only clean with mild soapy water or a proprietary cleaner where the label advises it is suitable for the materials the enclosure is constructed from. Test on a small area first.

For treating limescale we would recommend distilled vinegar in a half and half solution with water.

Following installation should you find that there is a notable noise when the glass door moves you may add a small amount of silicon lubricant onto the roller wheels and tracks, hinges or clips.

It is the responsibility of the product owner to maintain the product as recommended above. Also, to check for parts which have broken or become loose to protect against failure of the enclosure.