

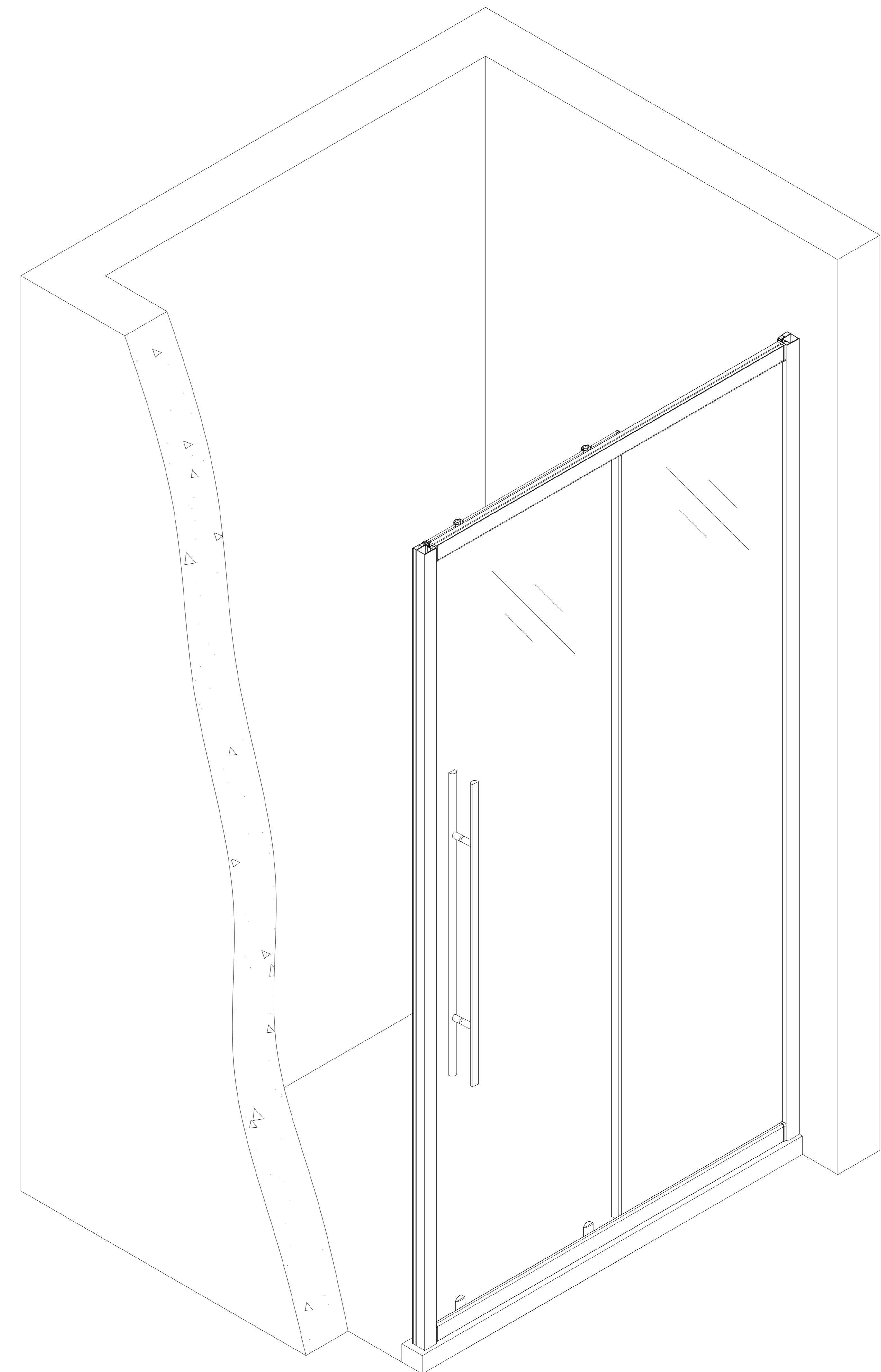
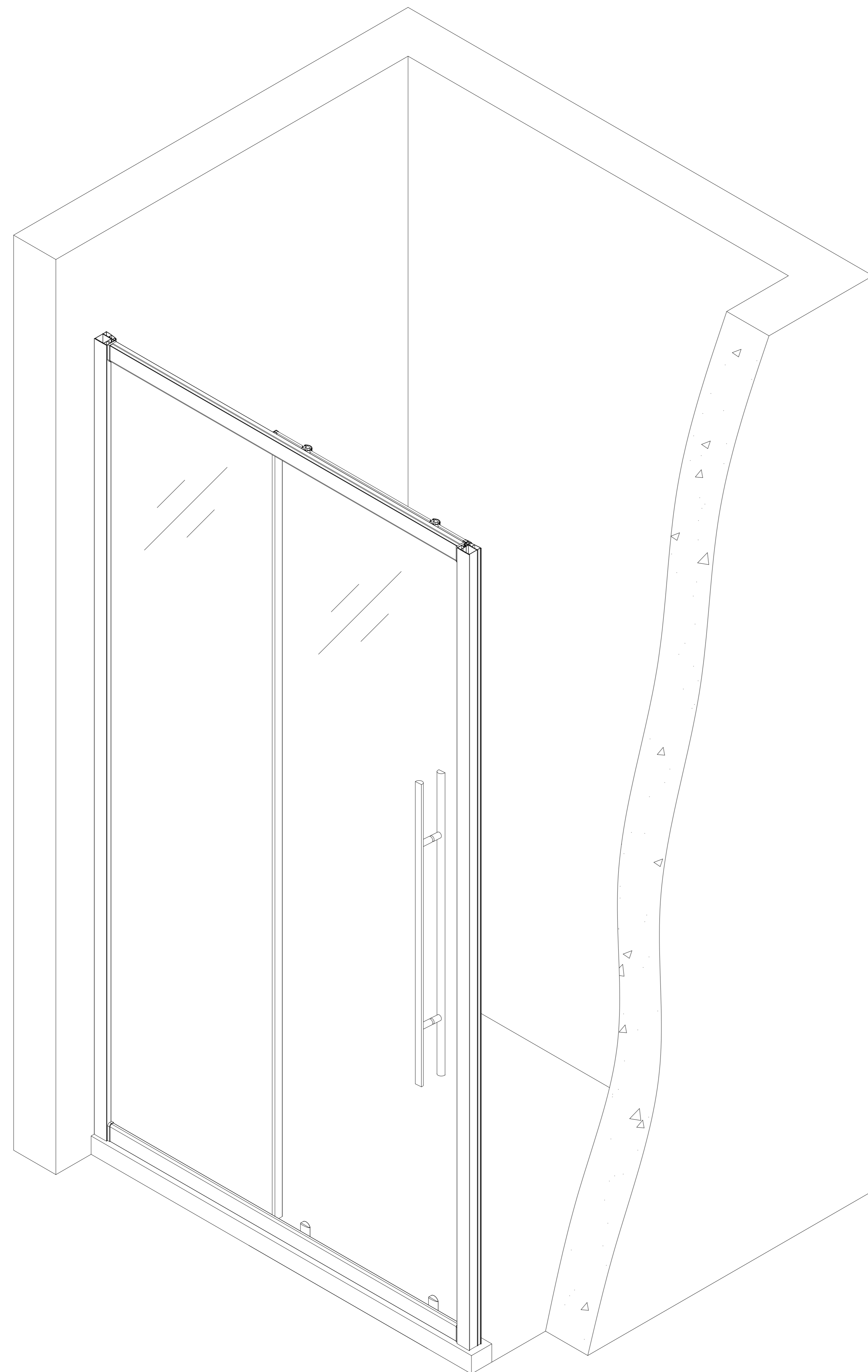
49. 5001/49. 5002/49. 5003/49. 5004/
49. 5005/49. 5006/49. 5007

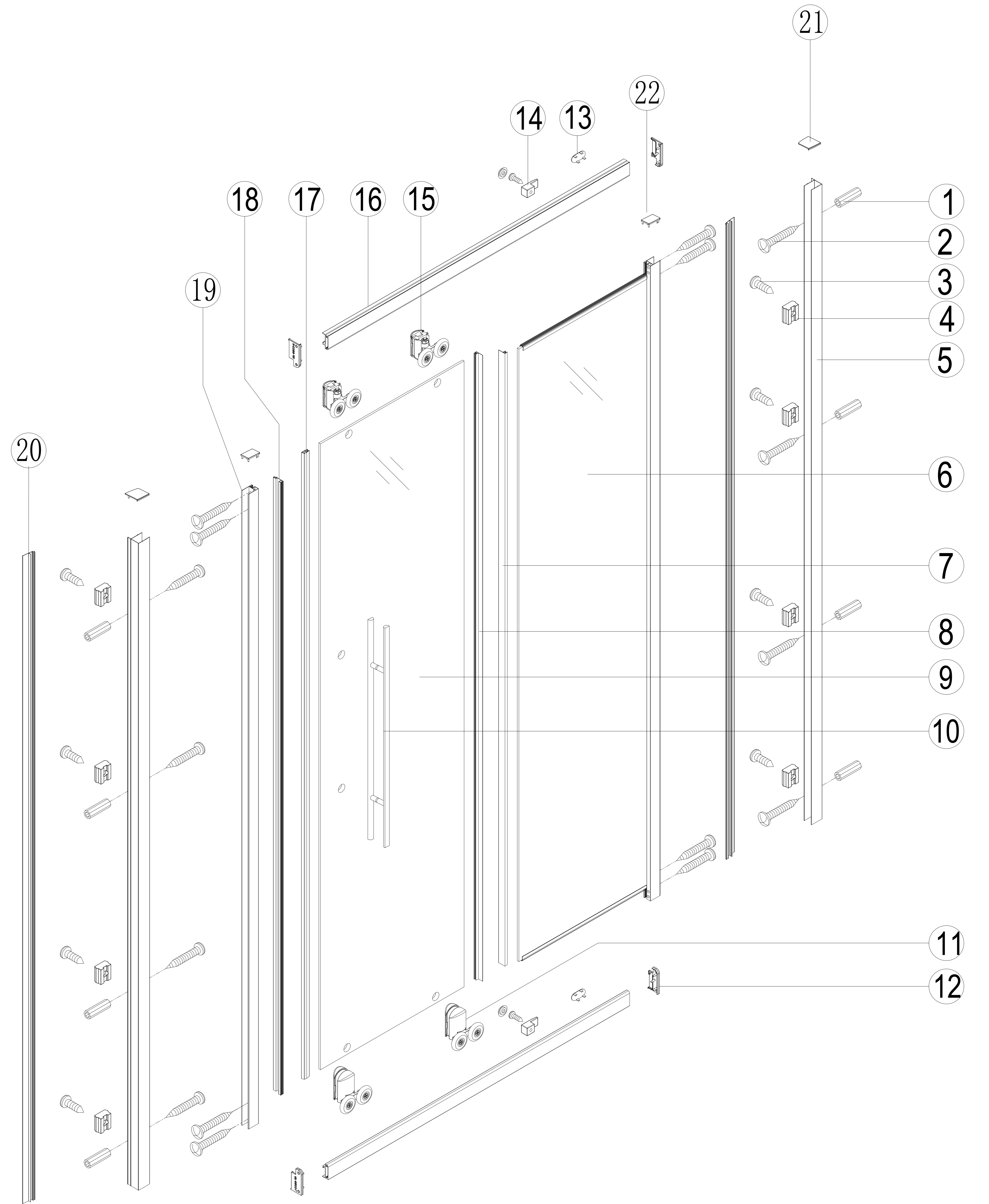
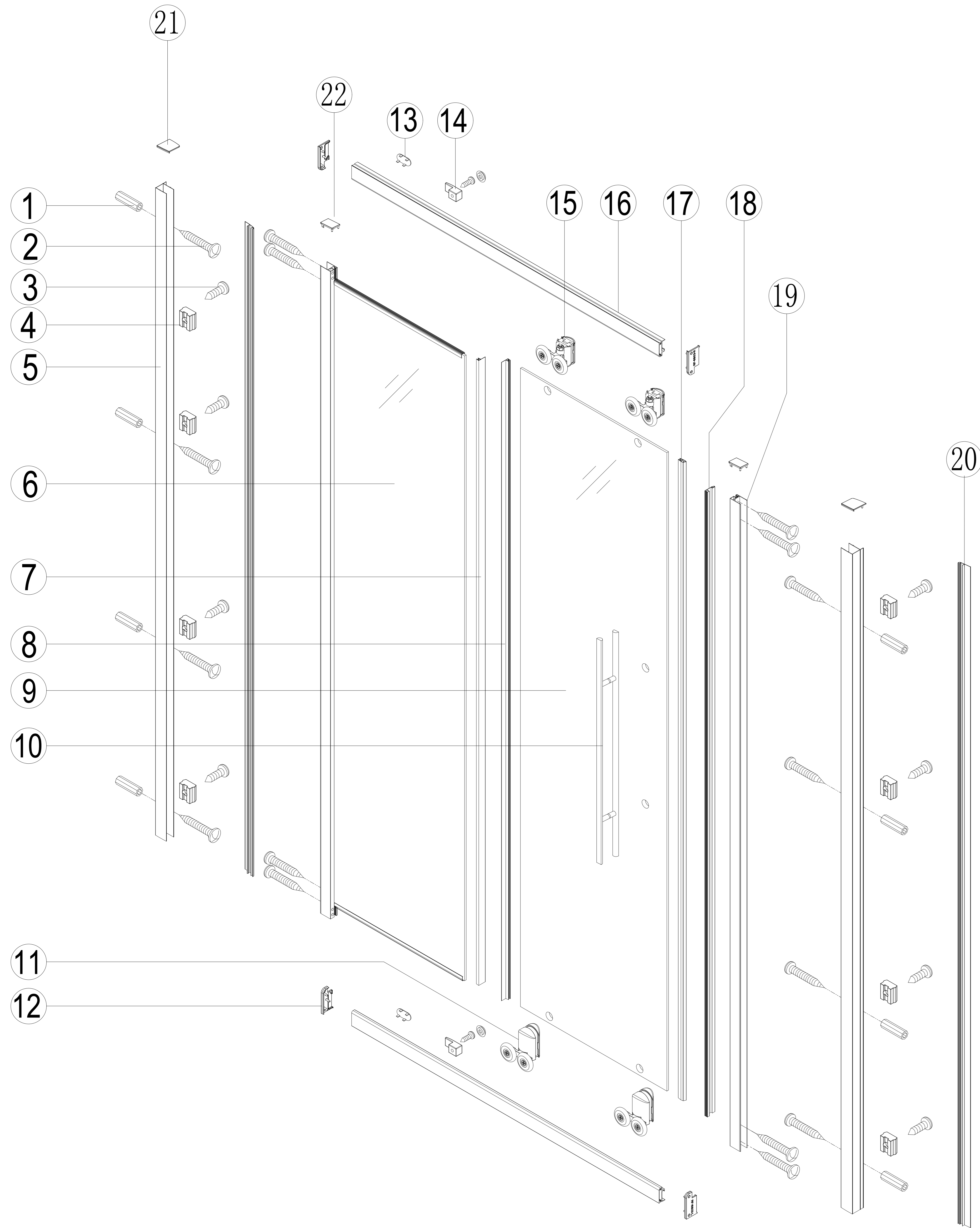
Eastbrook 

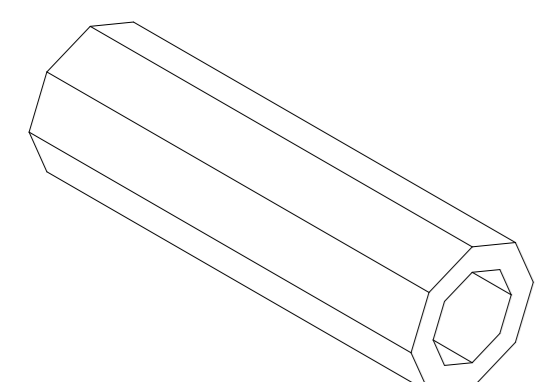
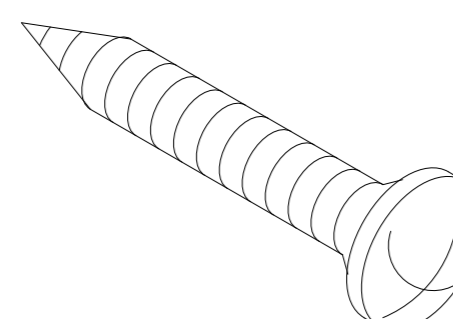
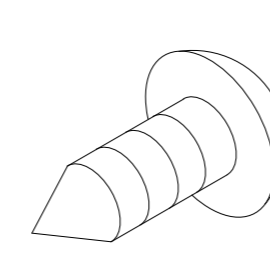
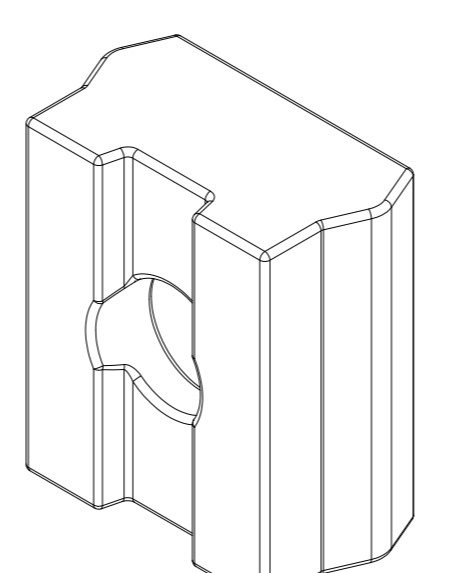
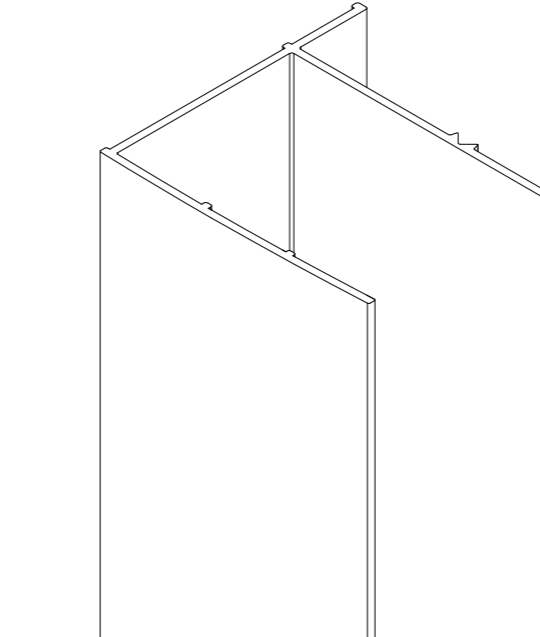
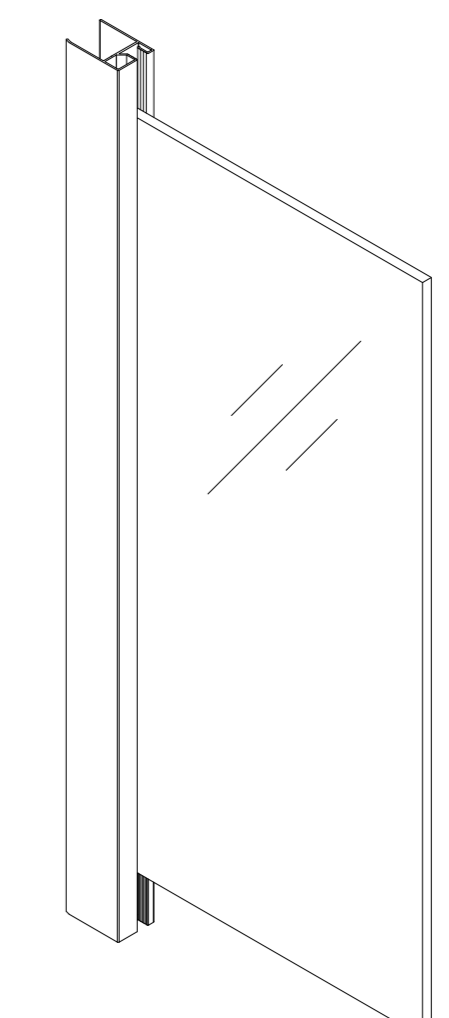
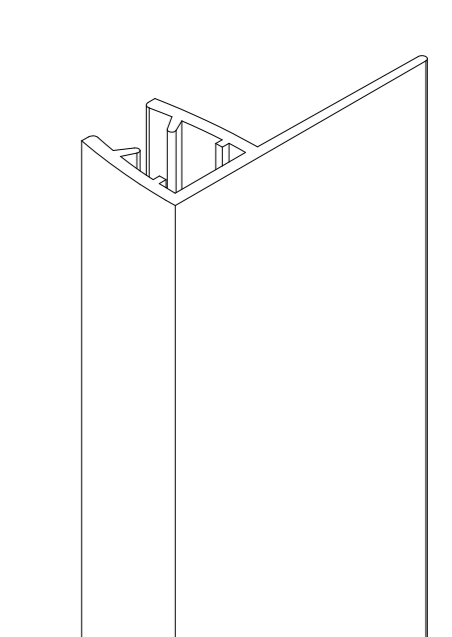
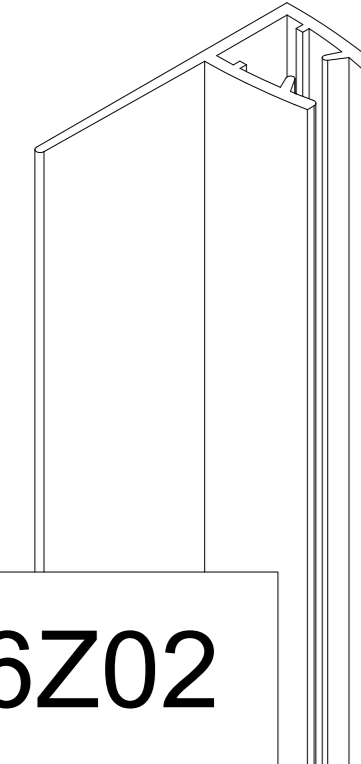
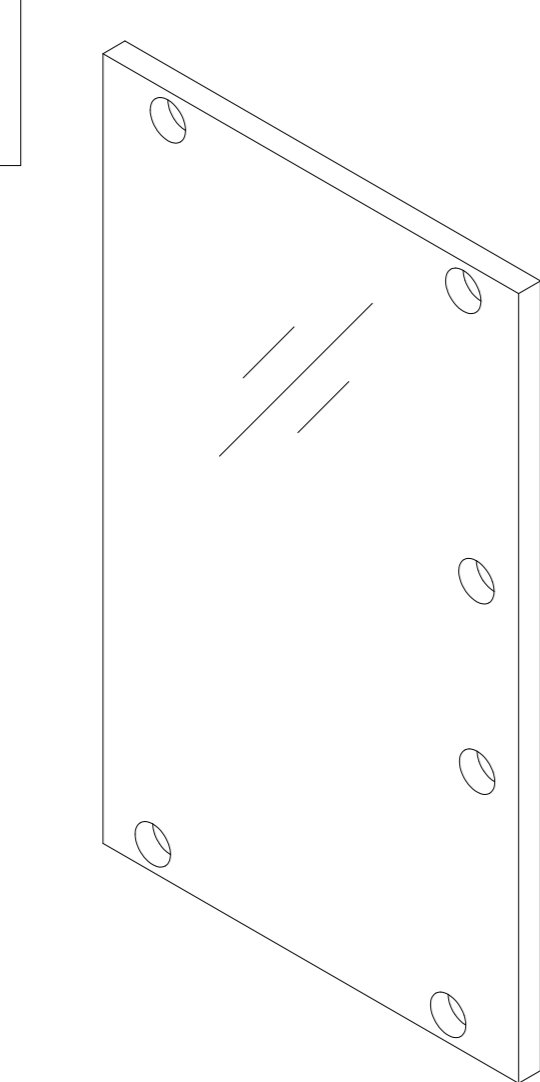
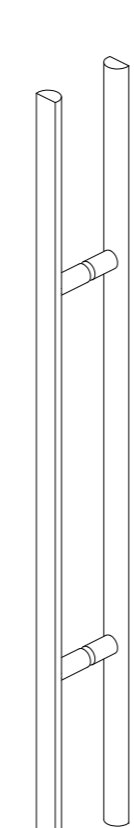
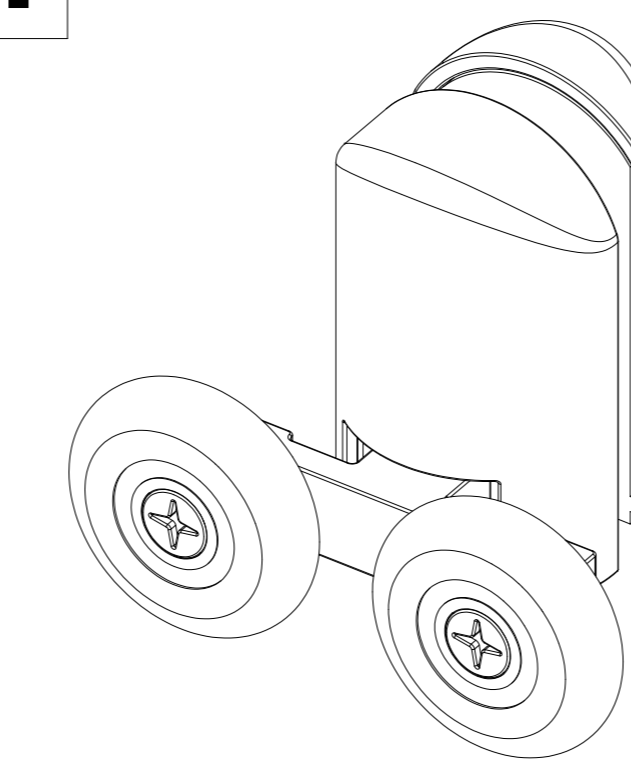
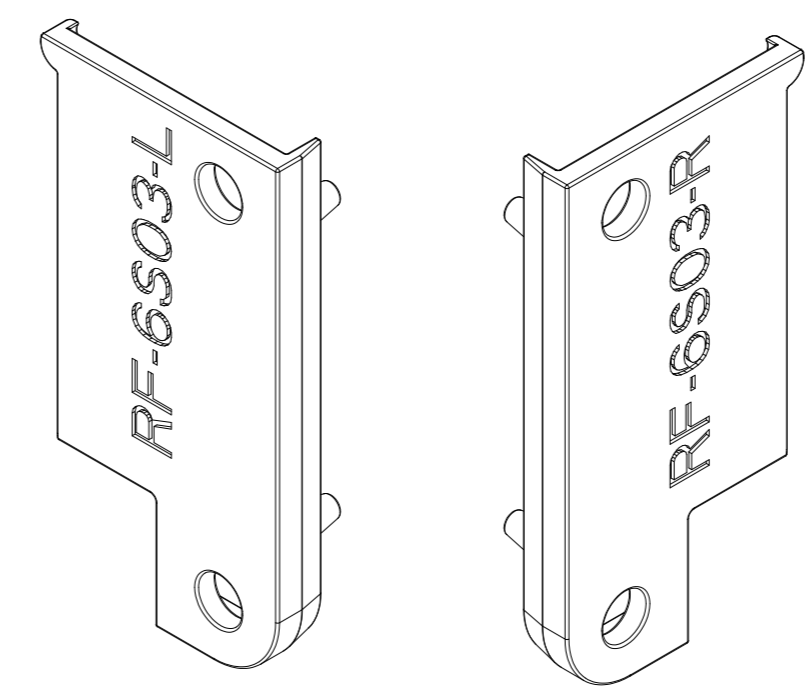
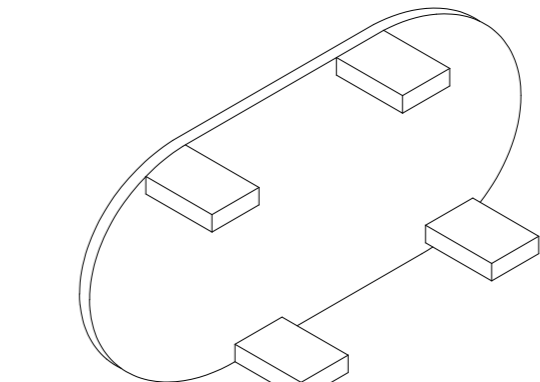
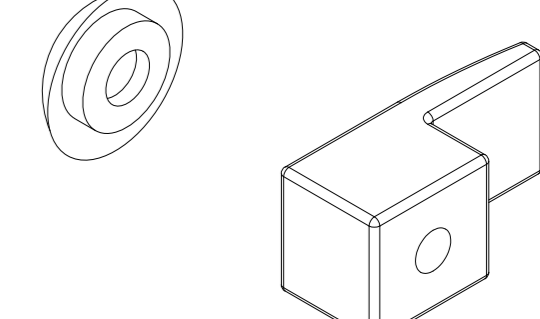
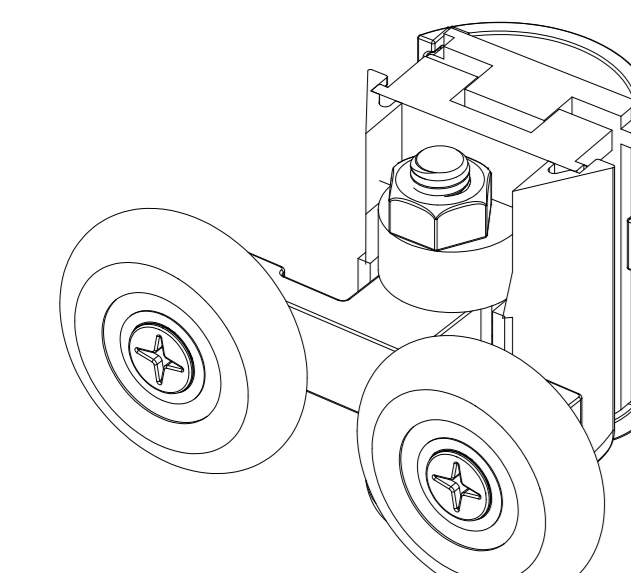
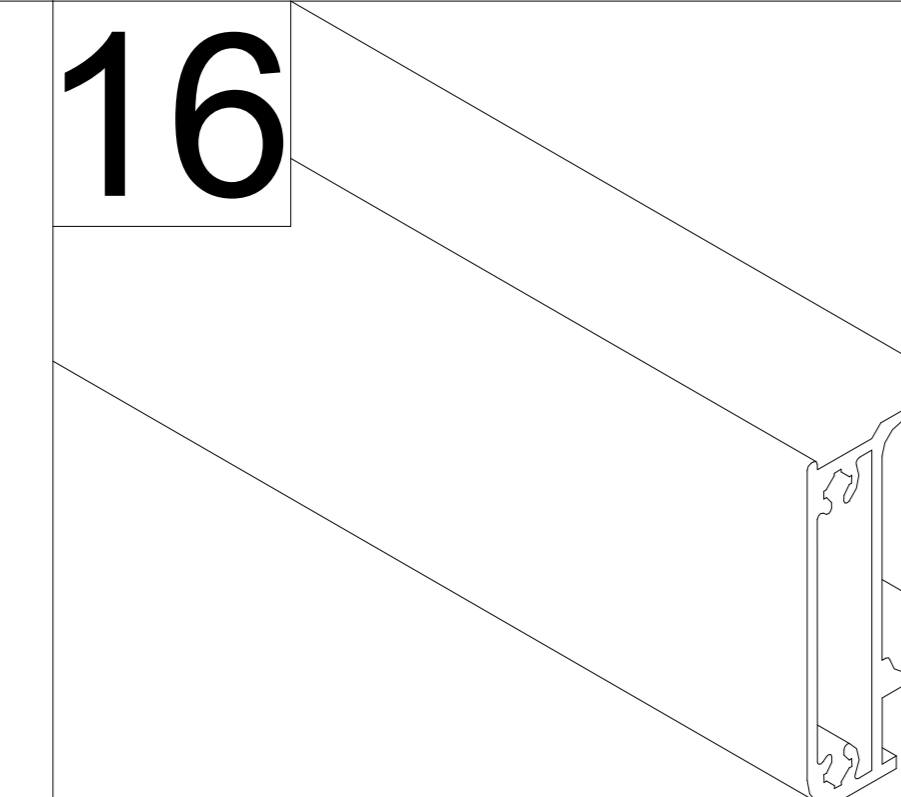
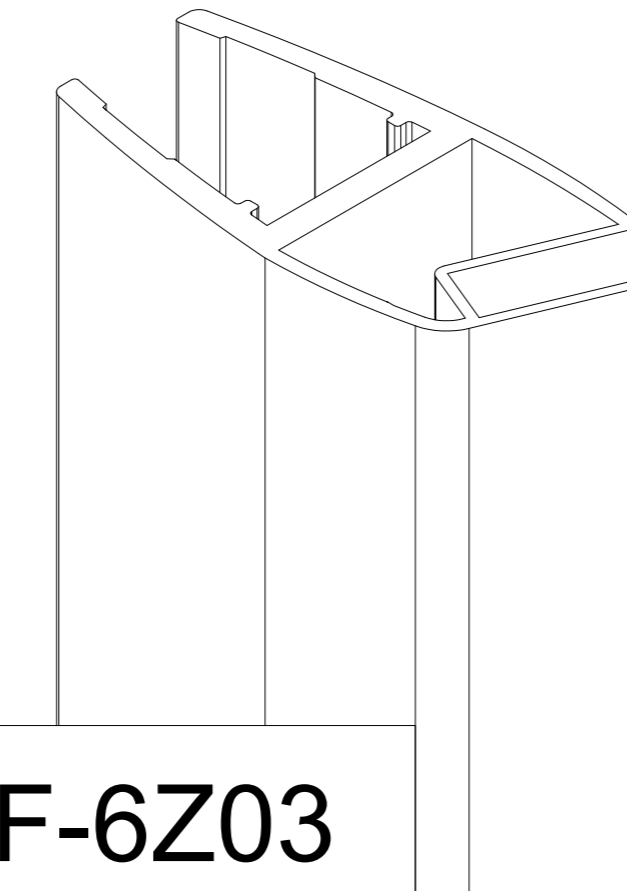
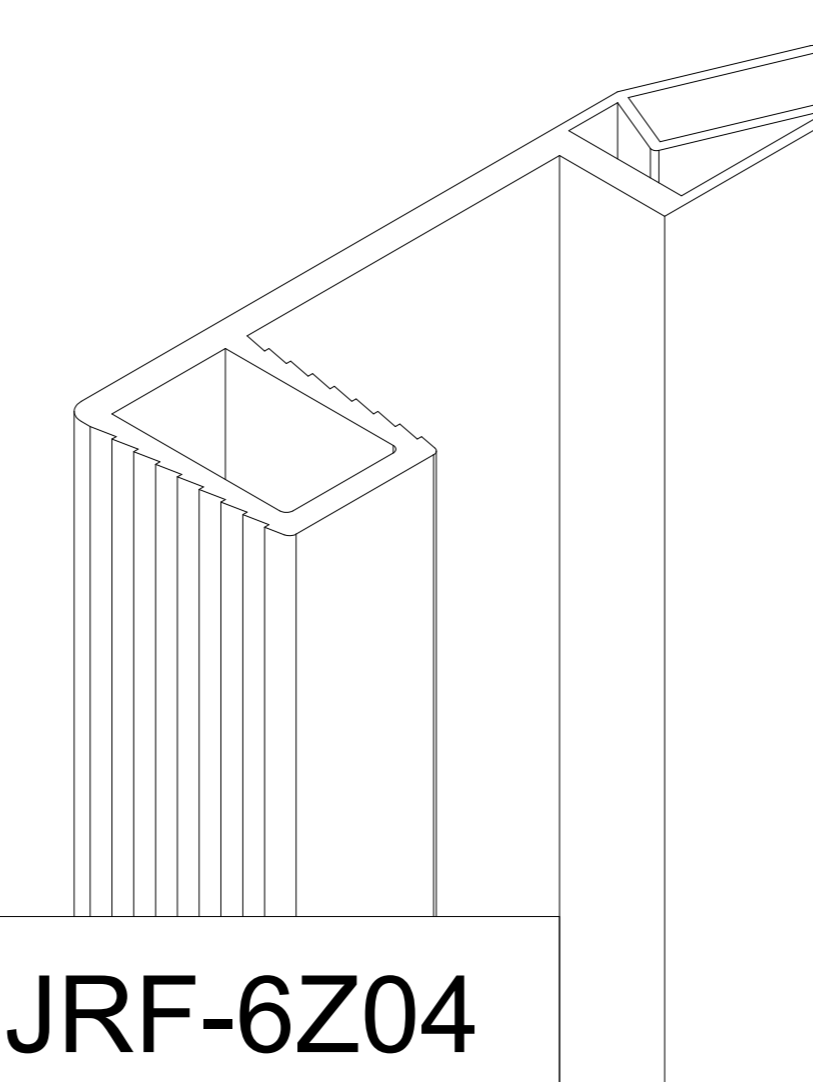
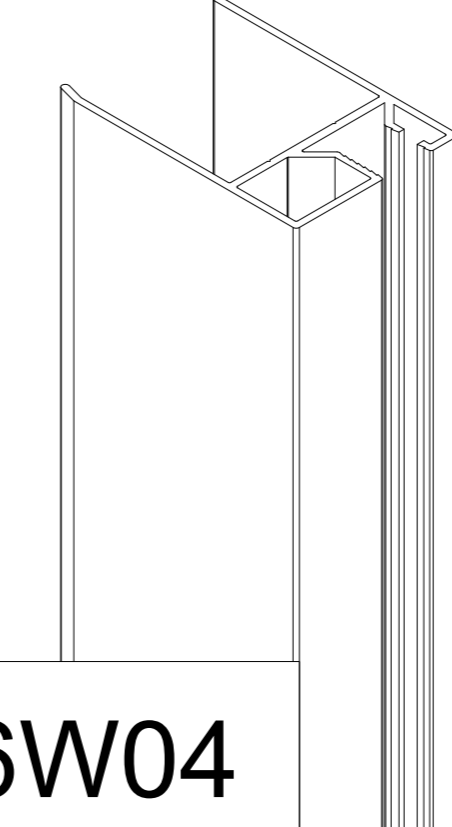
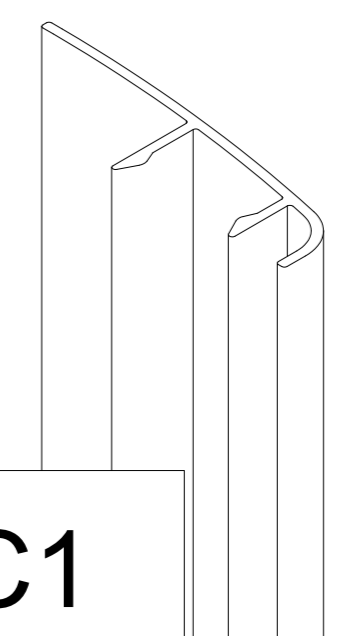
Eastbrook Road, Gloucester GL4 3DB

Technical Helpline: 01452 317890

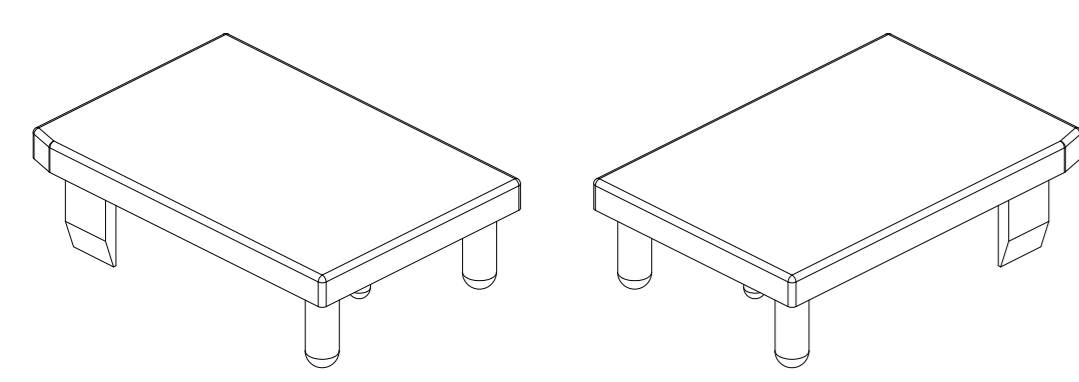
email: technical@eastbrookco.com





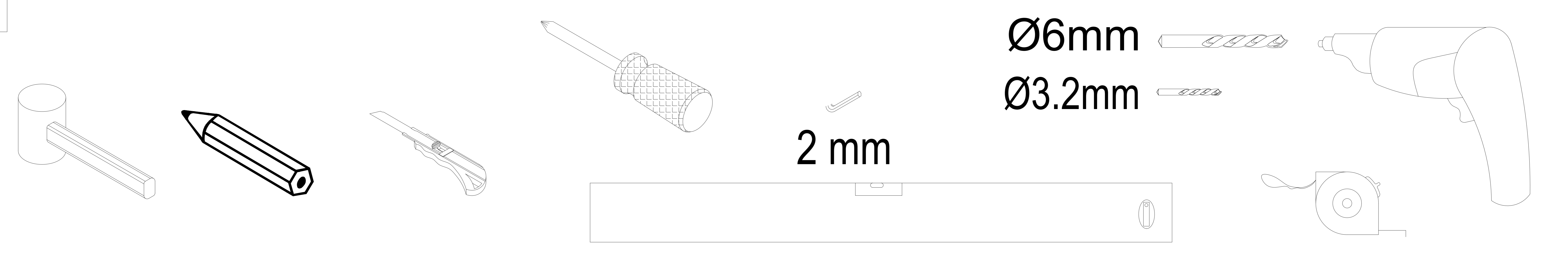
<p>1</p>  <p>D6x30 8Pcs</p>	<p>2</p>  <p>ST4X30 16Pcs</p>	<p>3</p>  <p>ST4X12 10Pcs</p>	<p>4</p>  <p>JRF-6Y01 8Pcs</p>	<p>5</p>  <p>JRF-6W01 2Pcs</p>	<p>6</p>  <p>JRF-6Z02 1Pc</p>	<p>7</p> <p>1908mm</p>  <p>JRF-6Z02 1Pc</p>
<p>8</p> <p>1970mm</p>  <p>JRF-6Z02 1Pc</p>	<p>9</p>  <p>JRF-6X04 1Pc</p>	<p>10</p>  <p>JRF-6X04 1Pc</p>	<p>11</p>  <p>JRF-6X02 2Pcs</p>	<p>12</p>  <p>JRF-6Y03 2Pairs</p>	<p>13</p>  <p>JRF-6Y05 2Pcs</p>	<p>14</p>  <p>JRF-6Y02 2Pcs</p>
<p>15</p>  <p>JRF-6X03 2Pcs</p>	<p>16</p>  <p>JRF-1P 2Pcs</p>	<p>17 + 18</p>  <p>JRF-6Z03 1Pair</p>		<p>19</p>  <p>JRF-6W04 1Pc</p>	<p>20</p>  <p>JRF-6C1 2Pcs</p>	<p>21</p>  <p>JRF-6Y12 2Pcs</p>

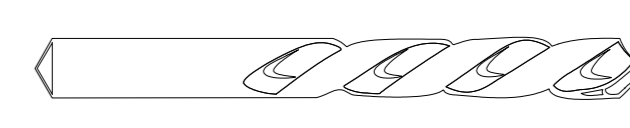
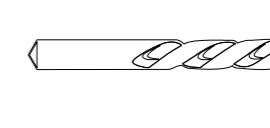

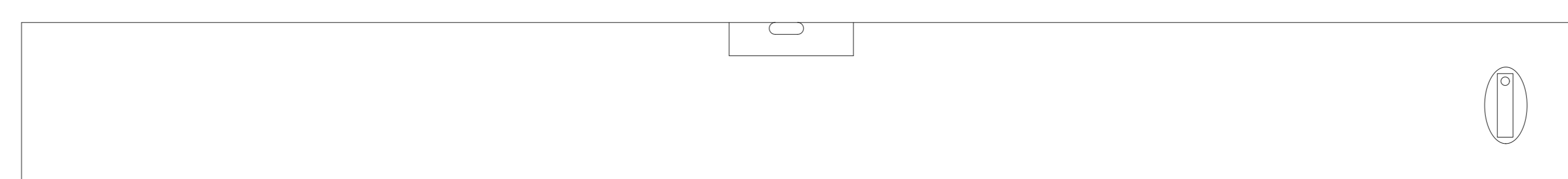
22



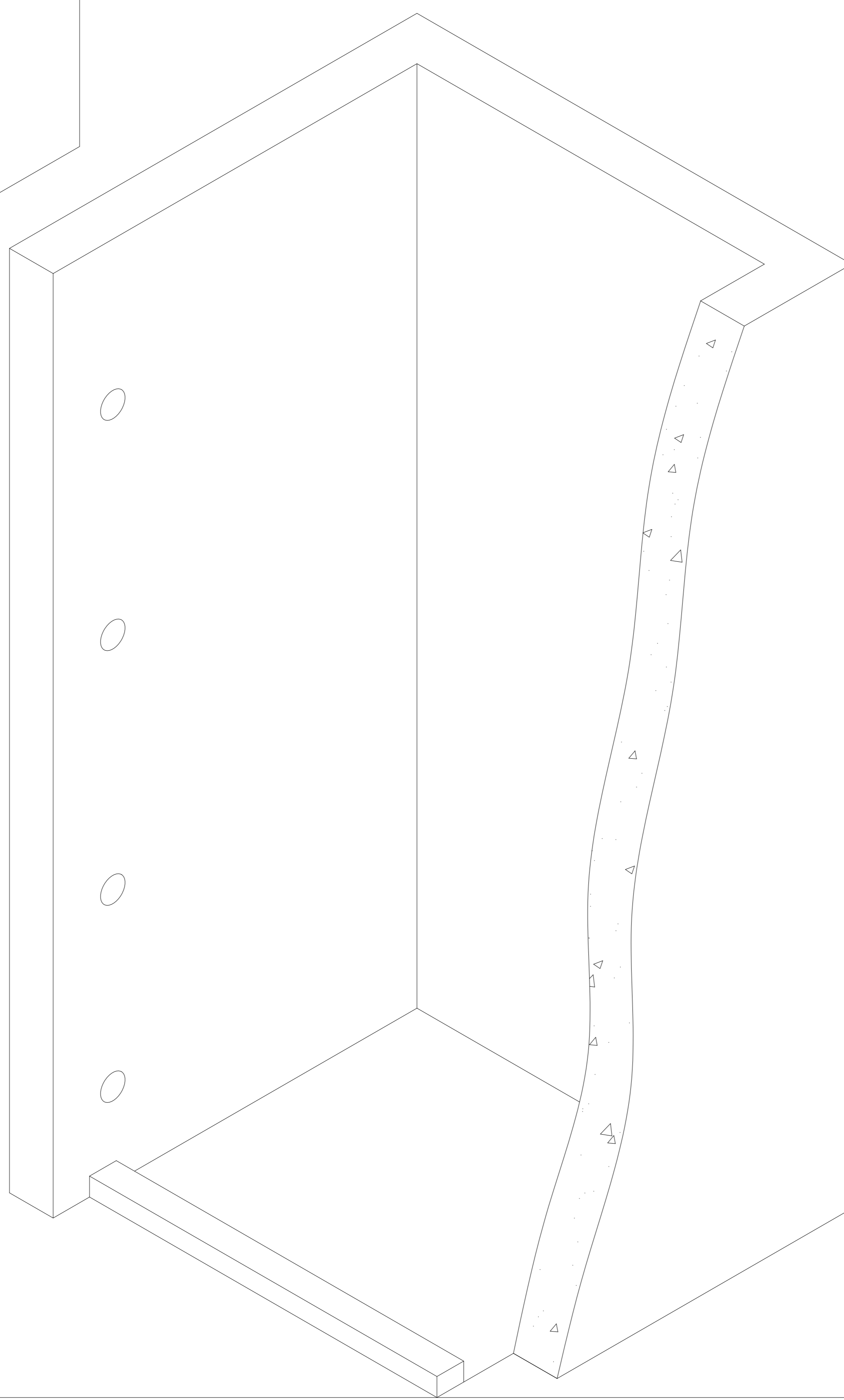
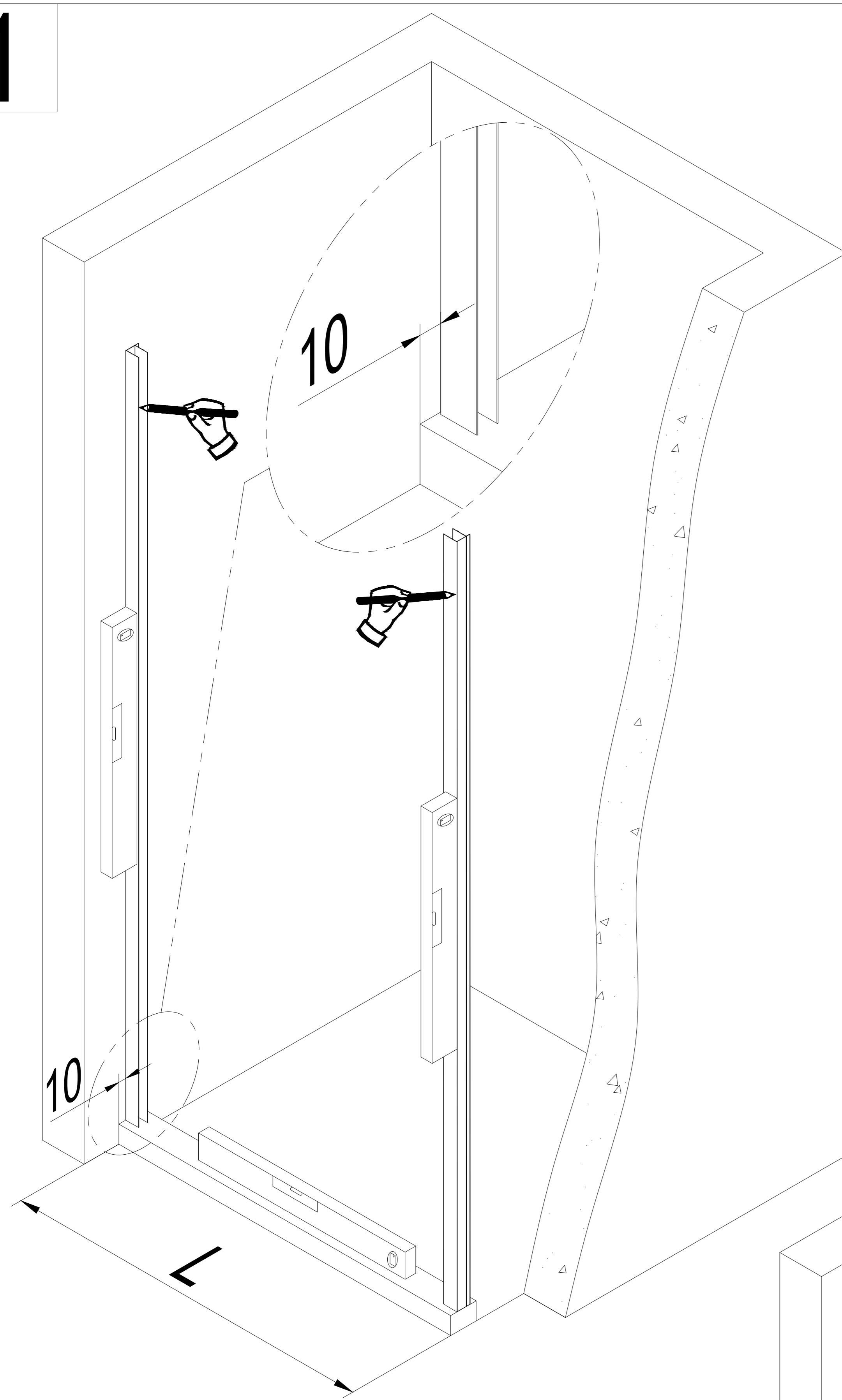
JRF-6Y13 2Pcs

Tools:



Ø6mm 
 Ø3.2mm 
 2 mm 


1



1-1

 5x2

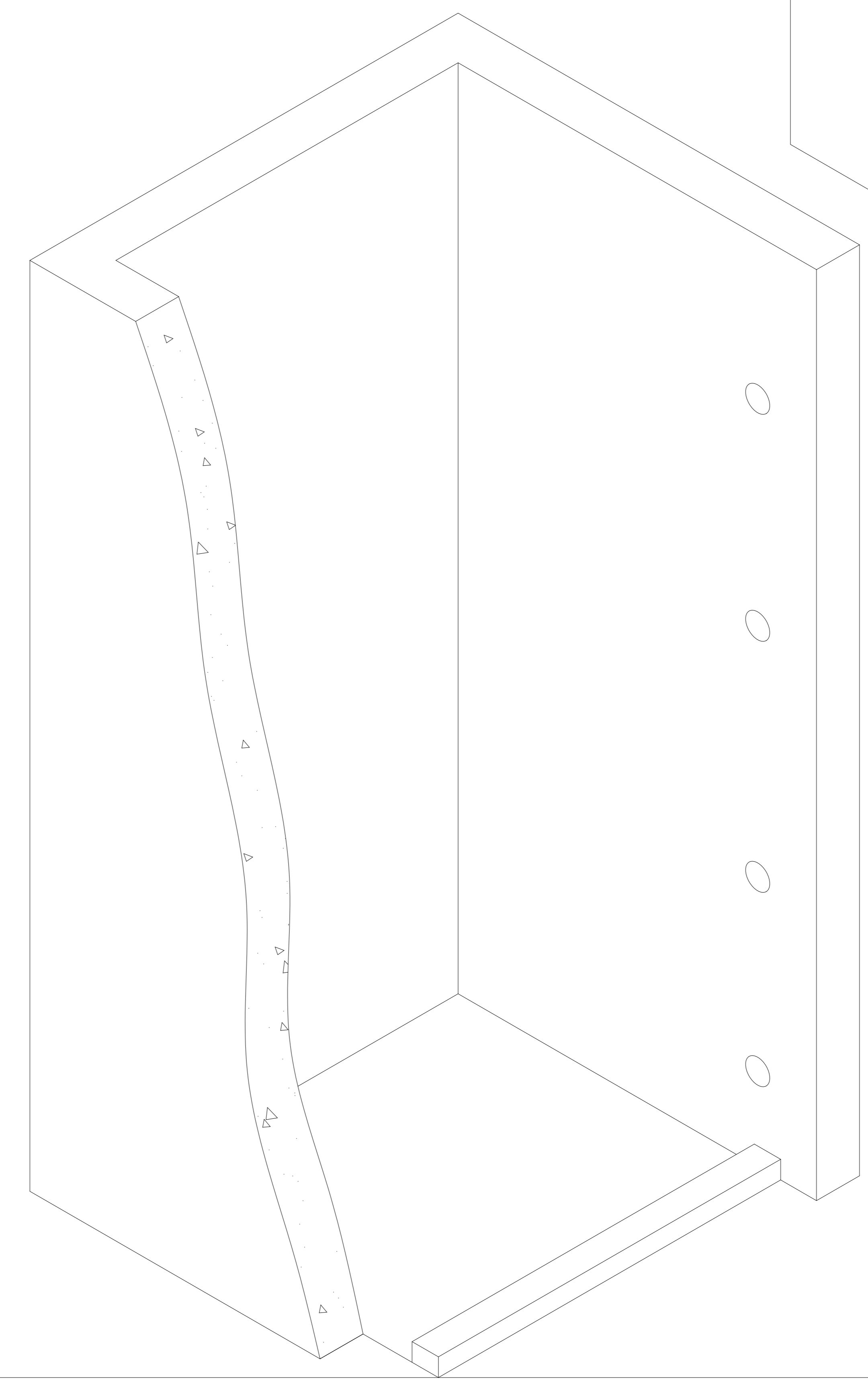
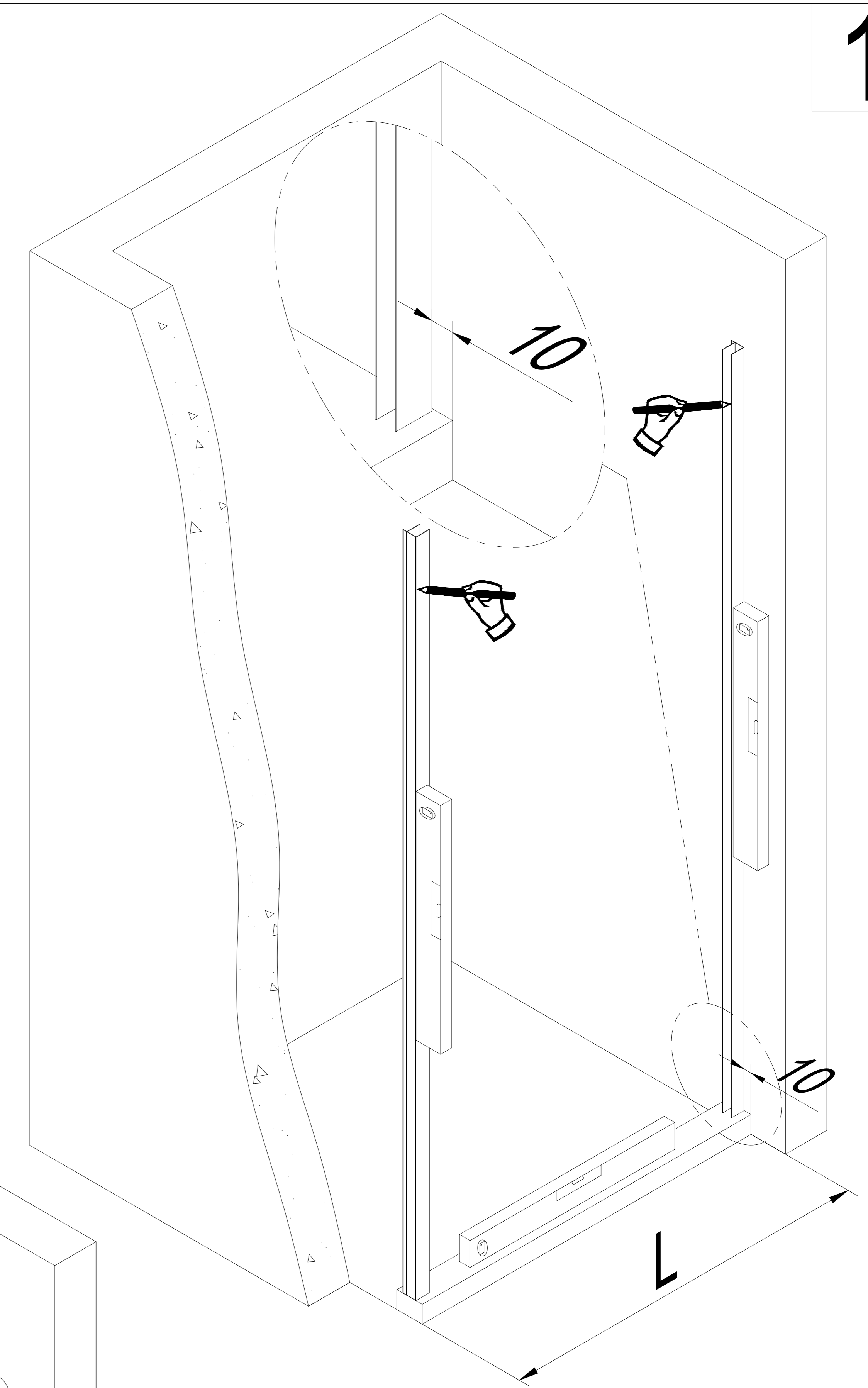
1-2

 Ø6x30mm

1-3

 1x8

1



1-1

 5x2

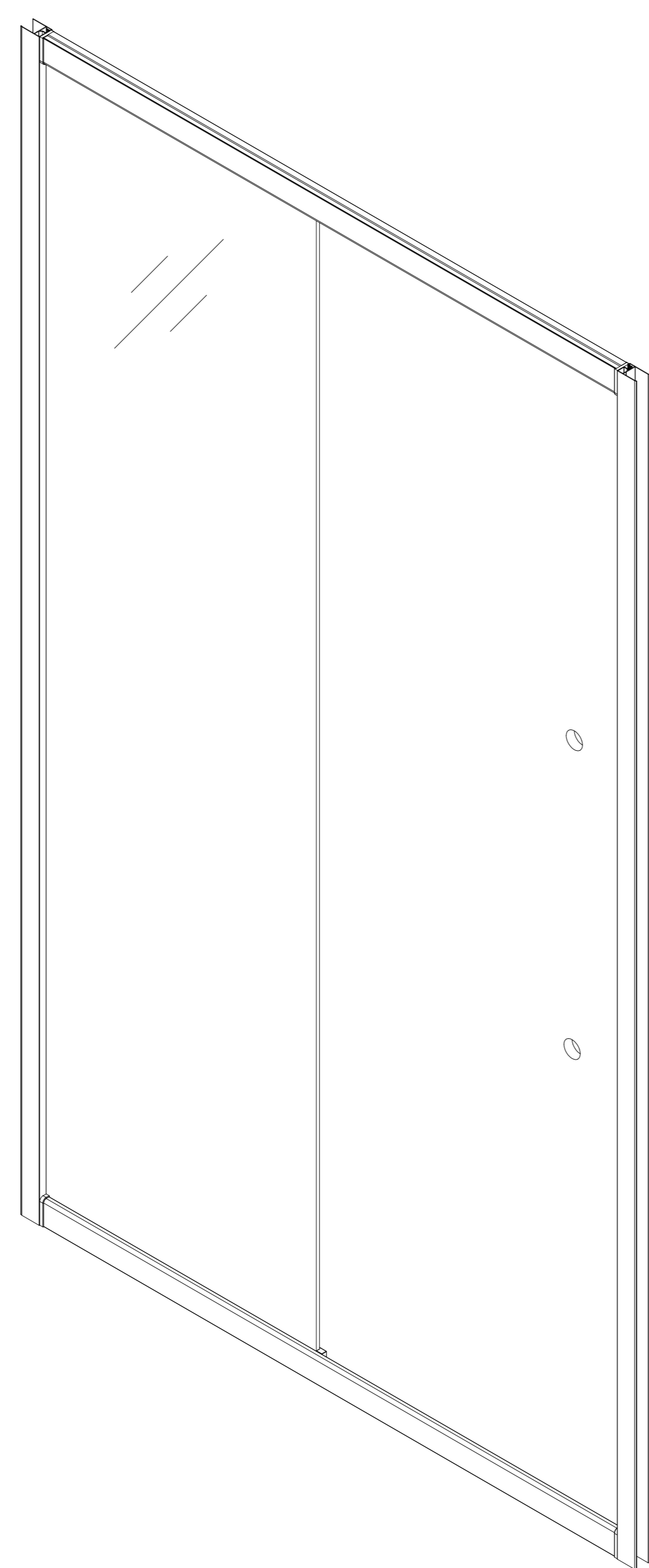
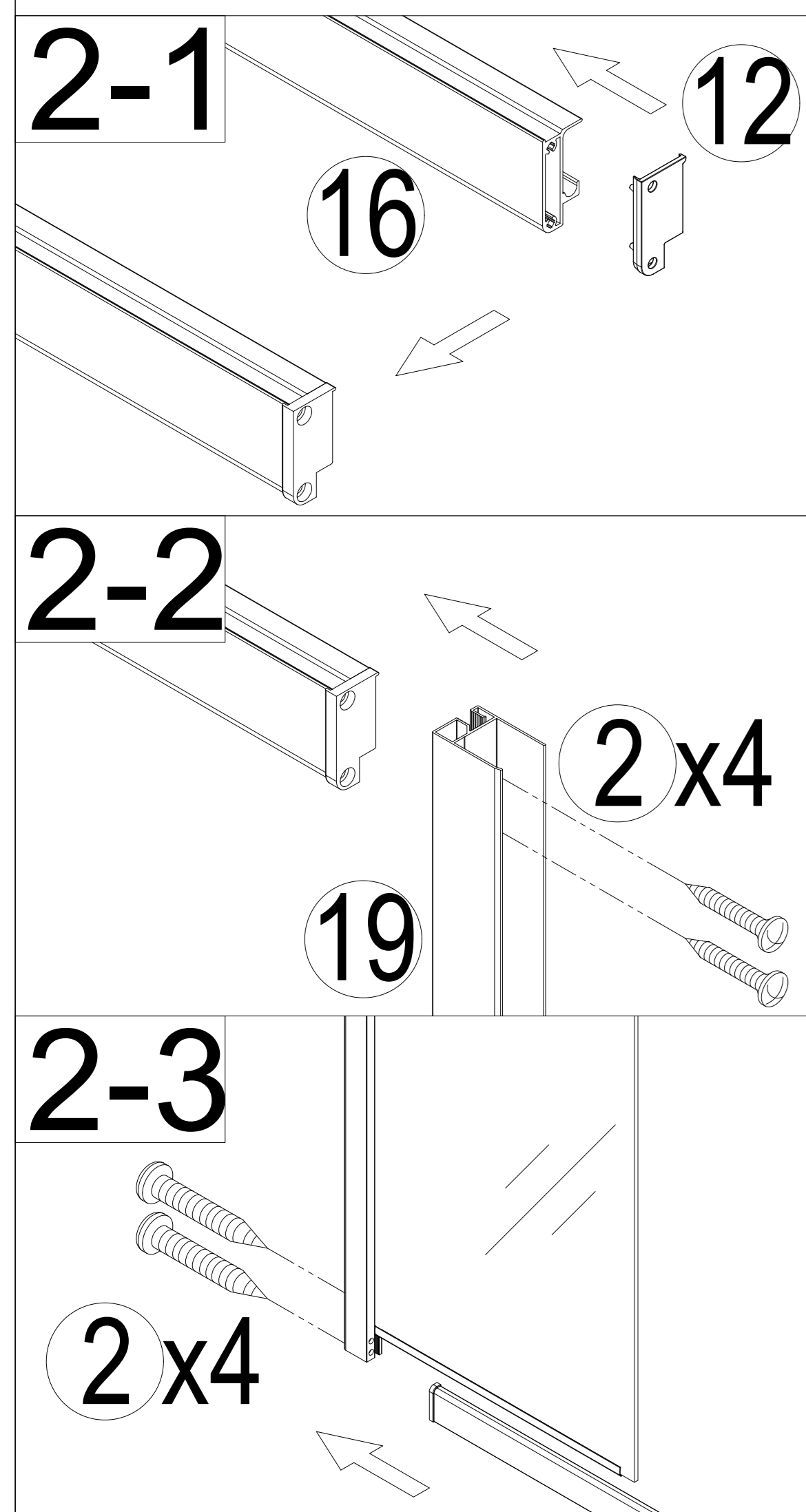
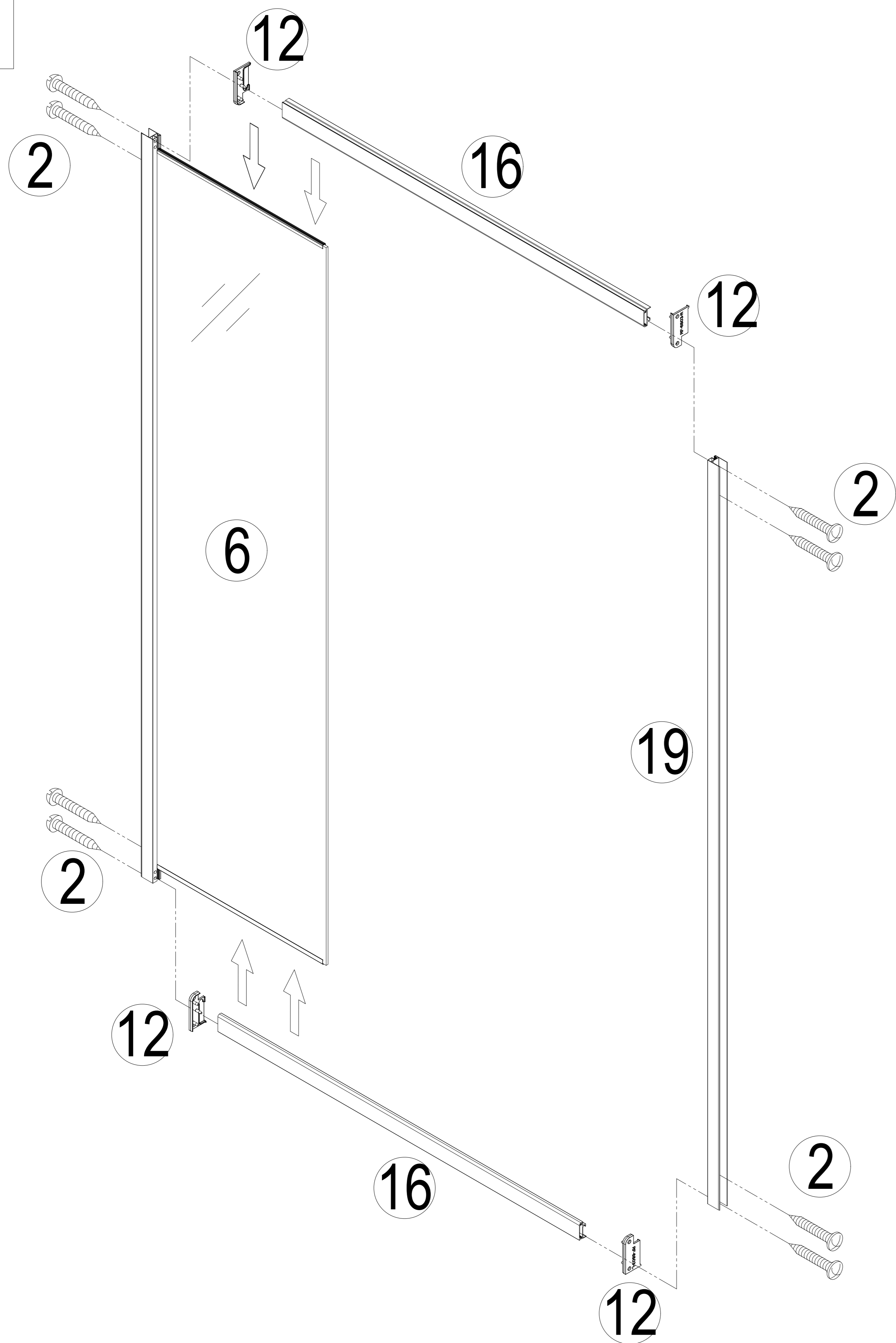
1-2

 Ø6x30mm

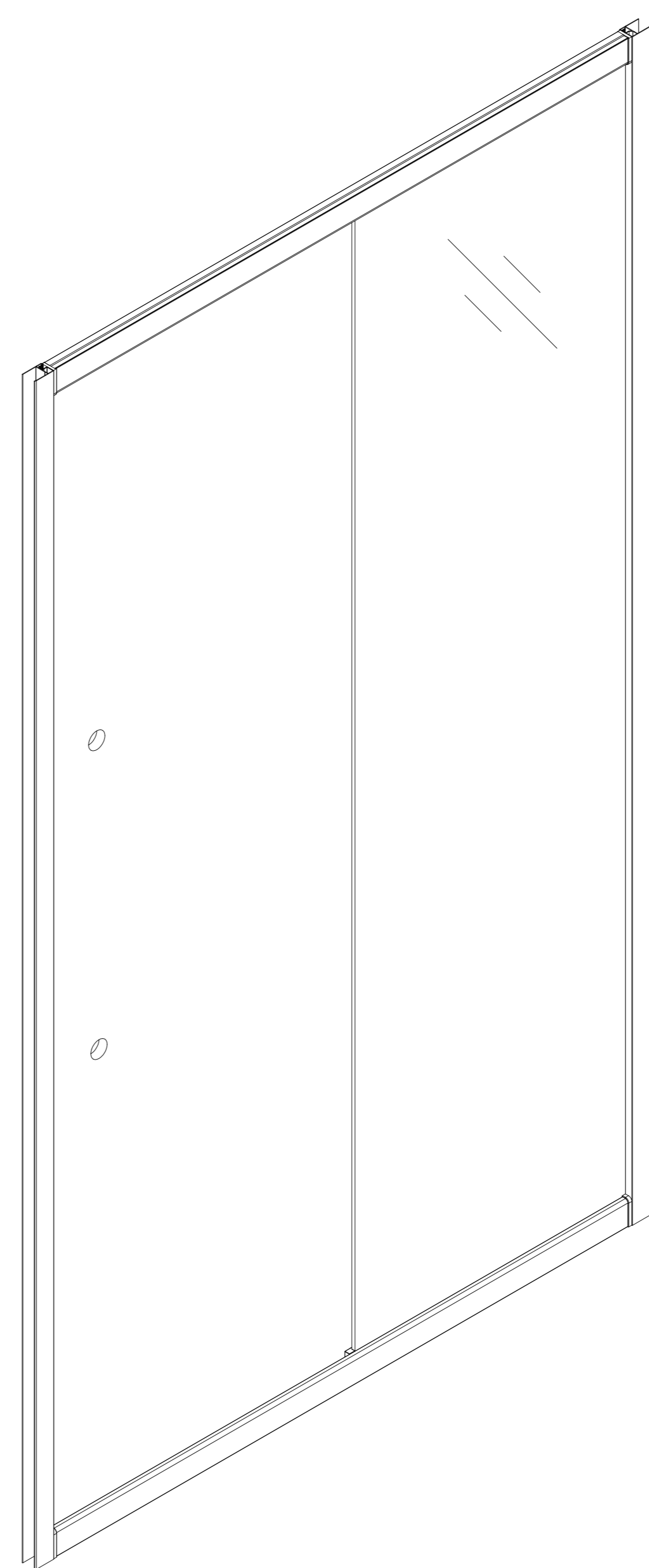
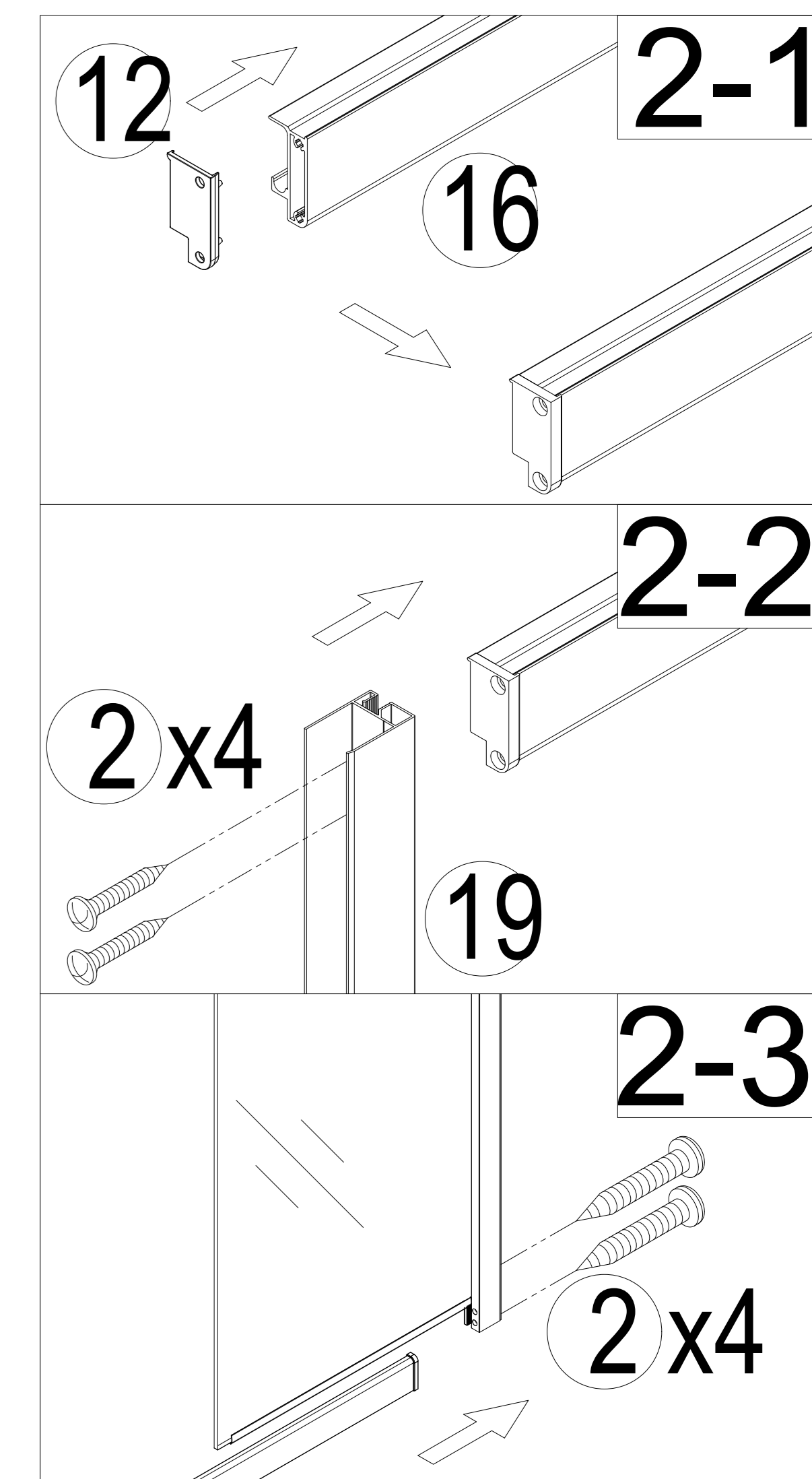
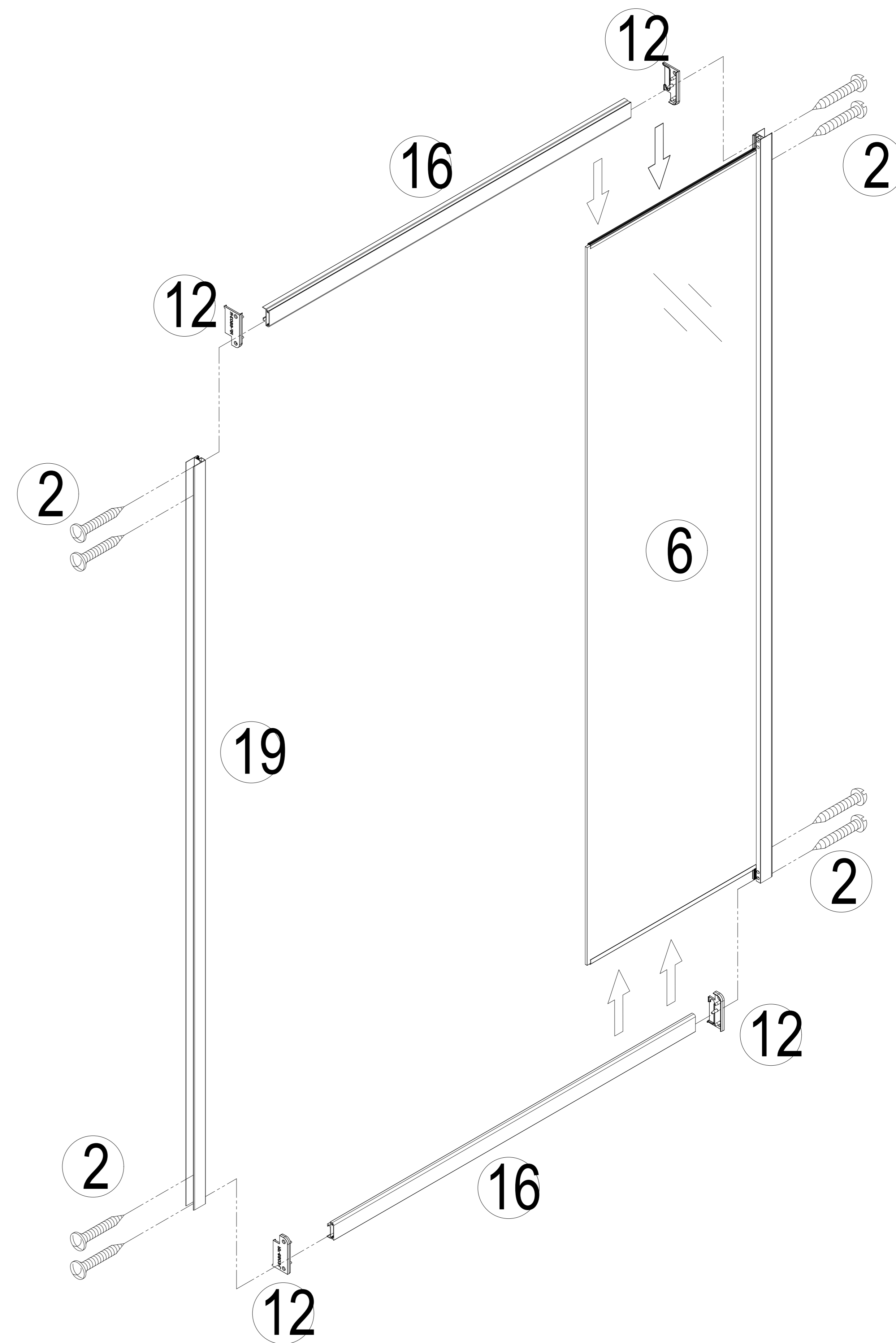
1-3

 1x8

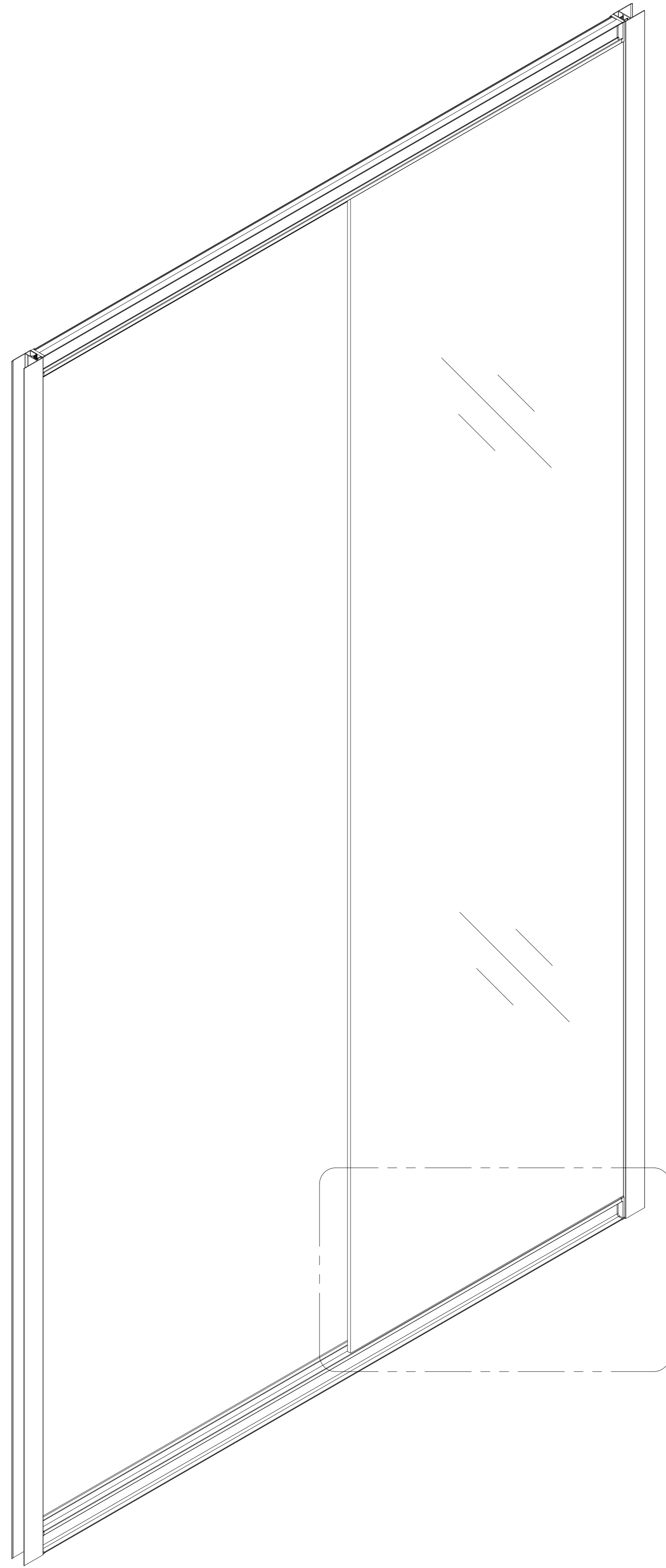
2



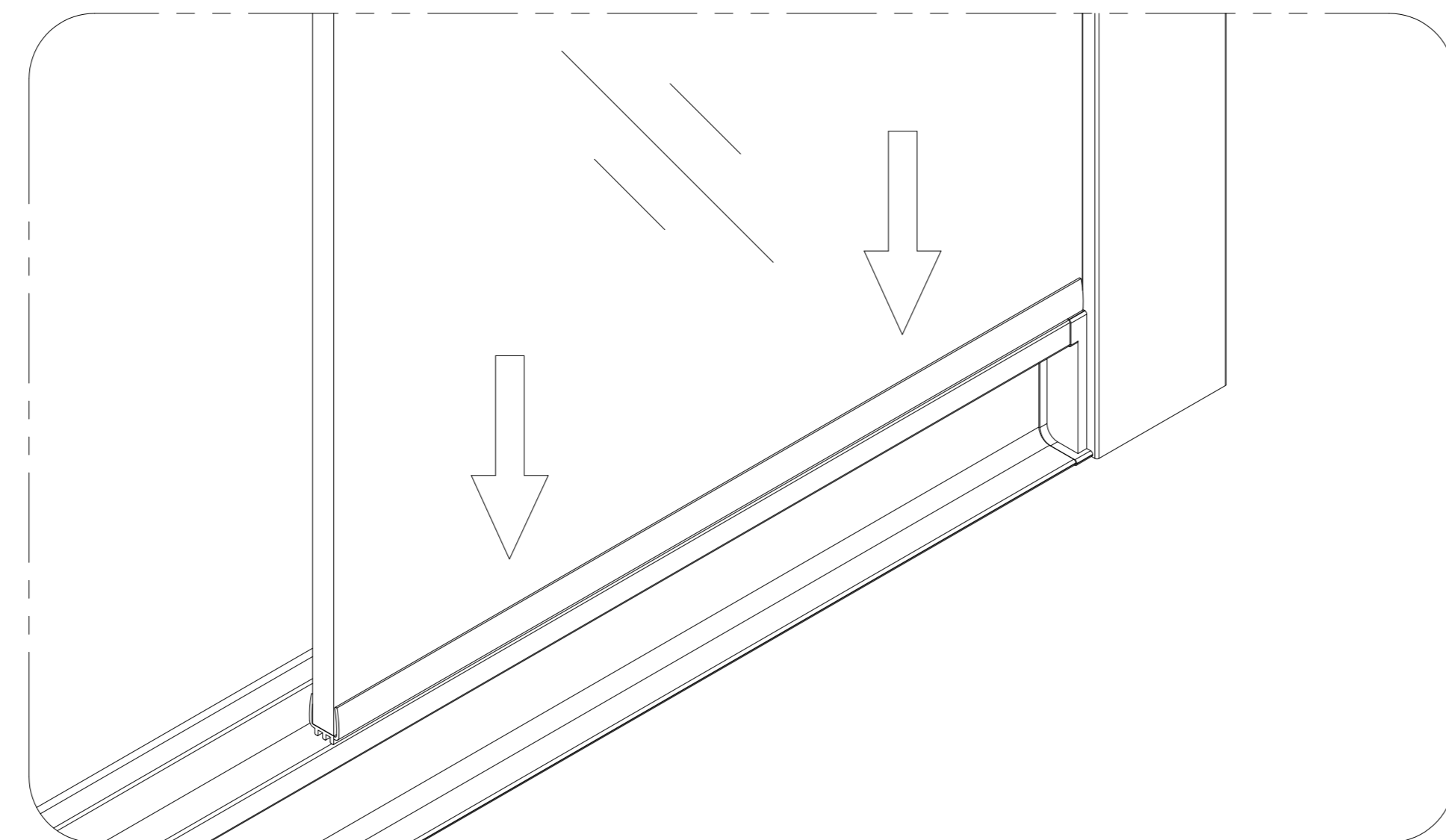
2



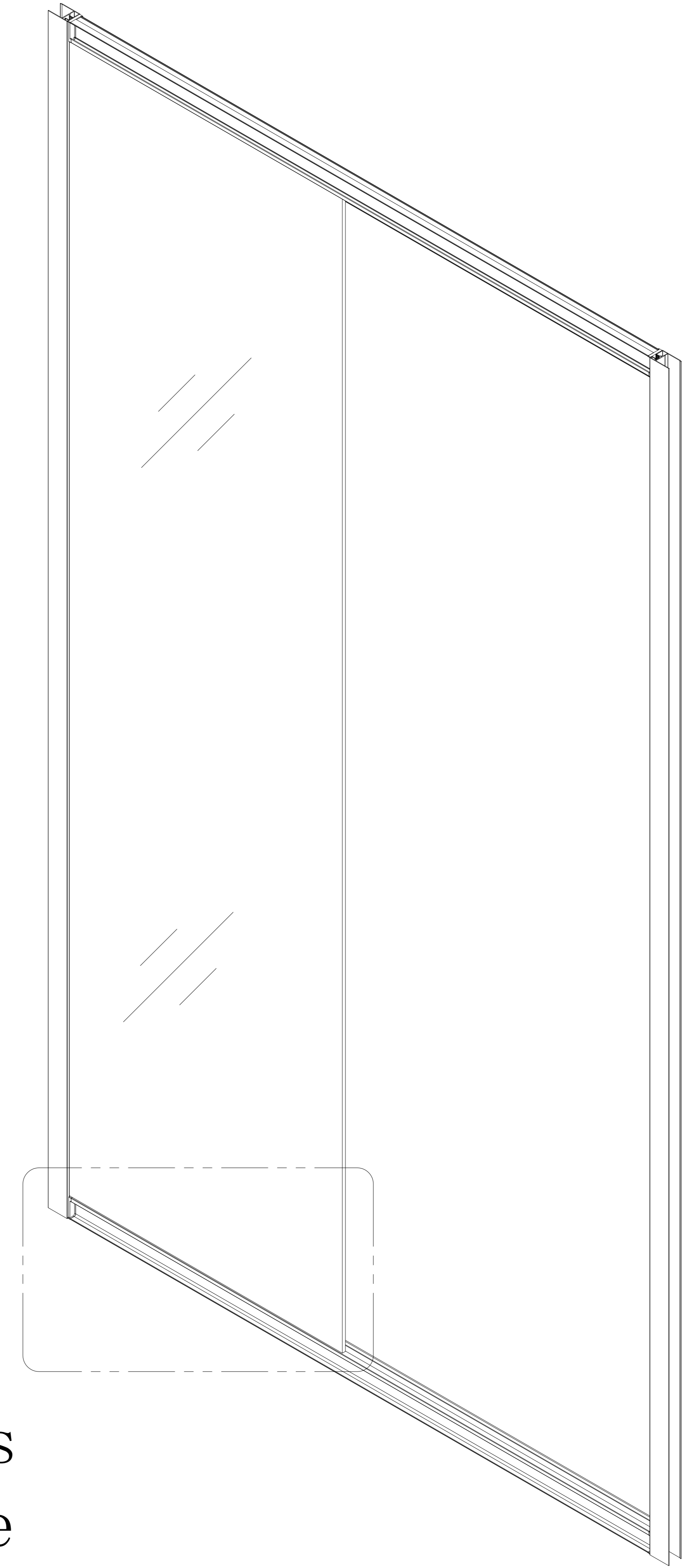
3



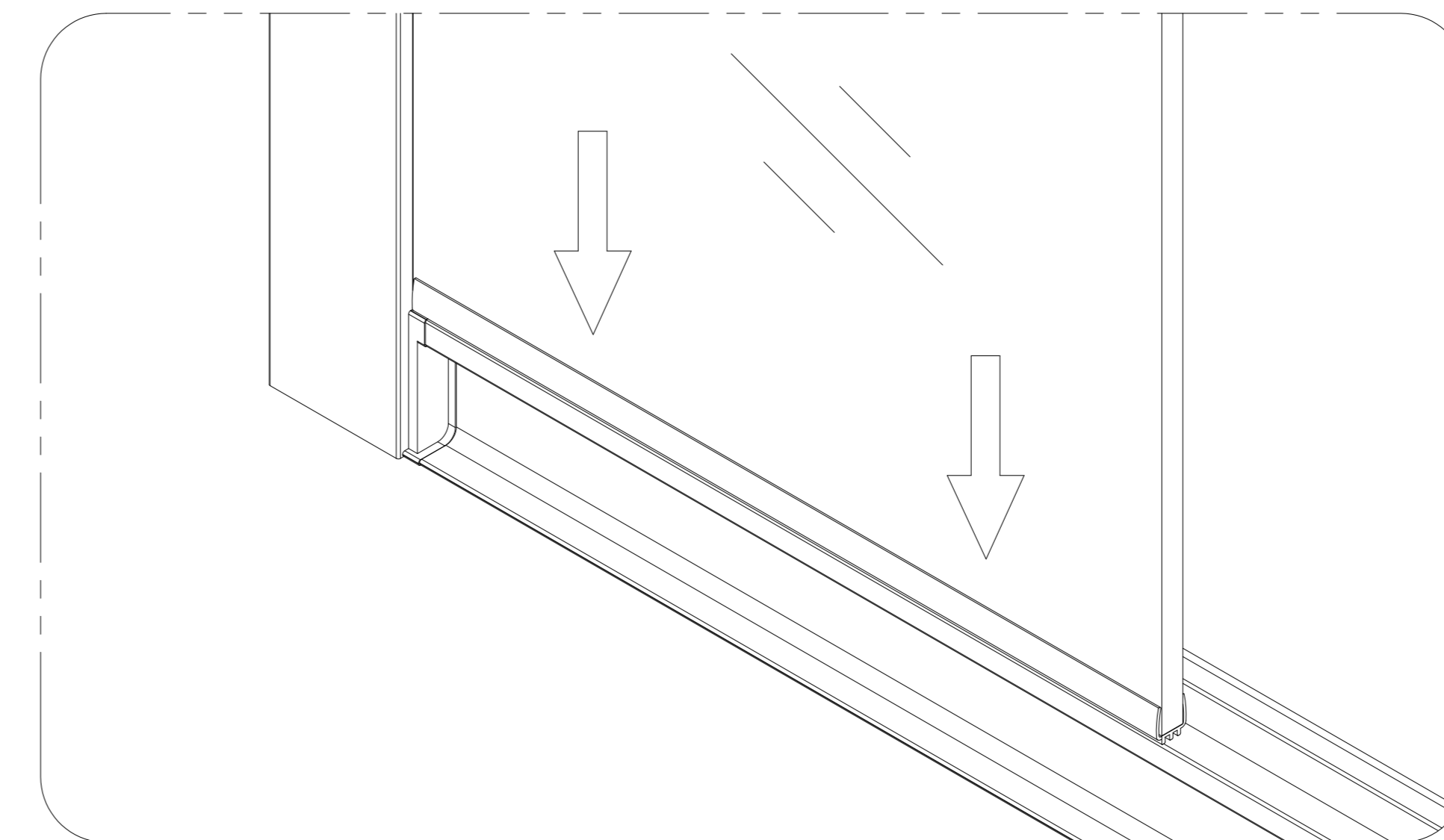
The seal requires to be against the rail.



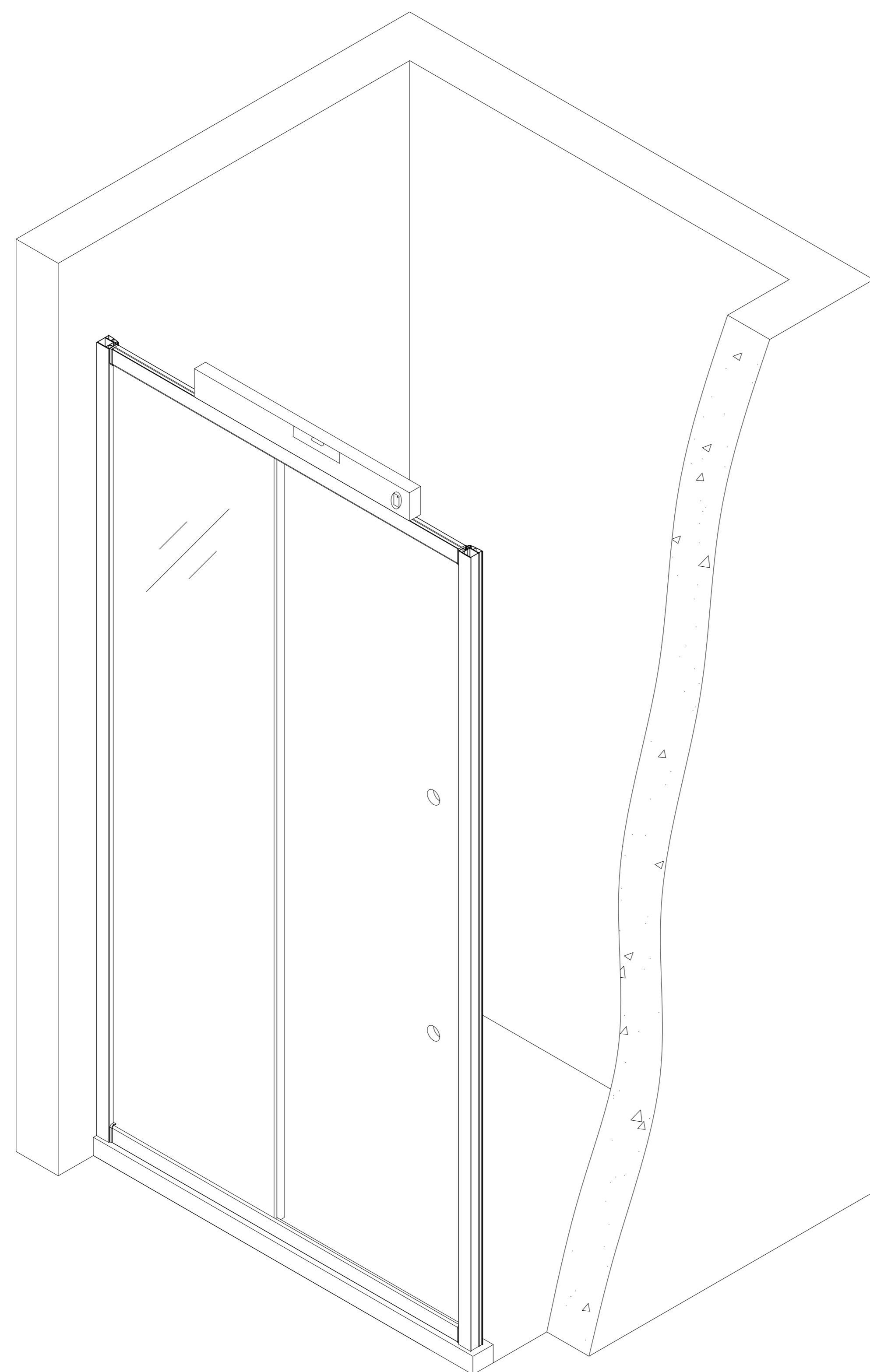
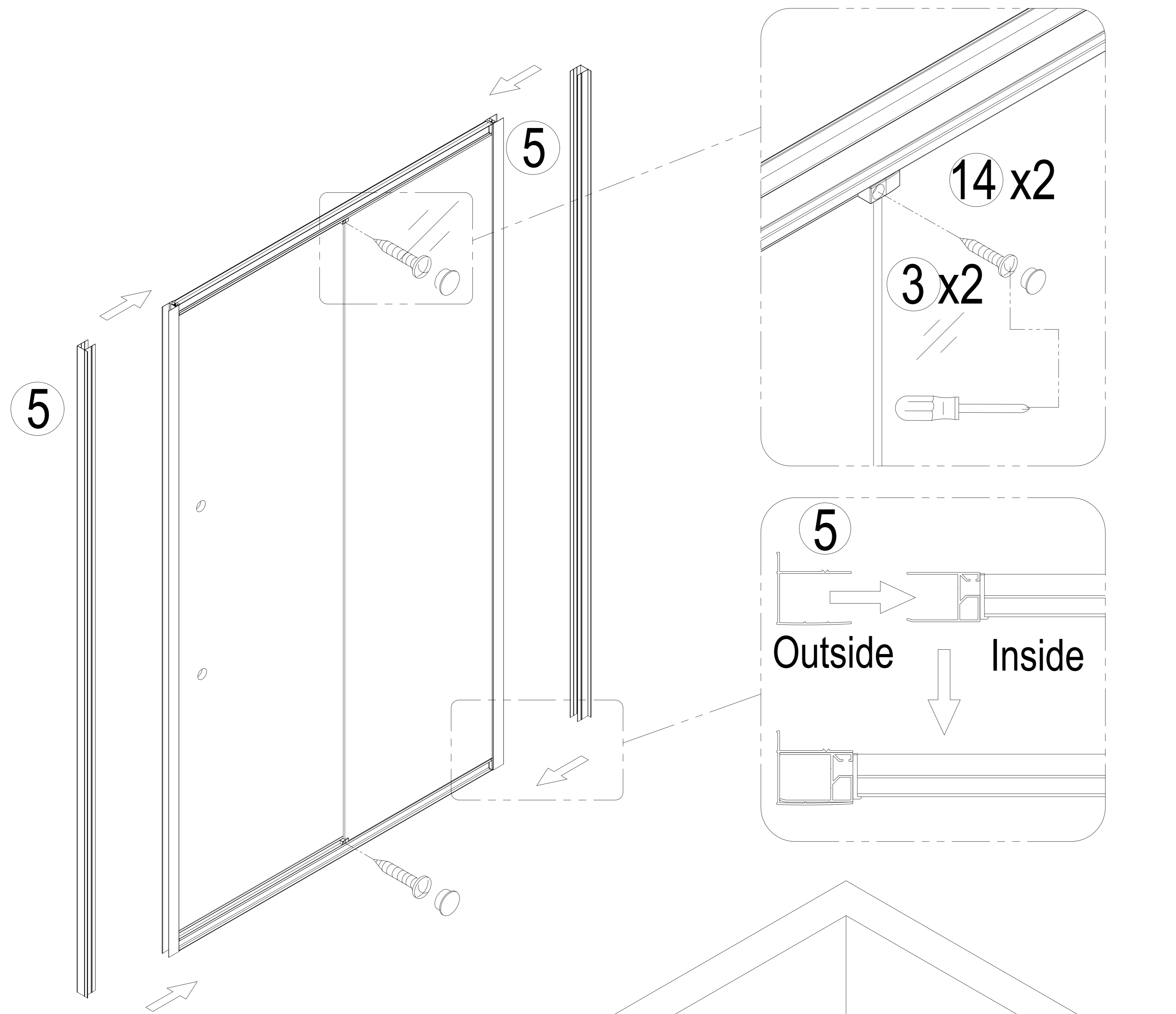
3



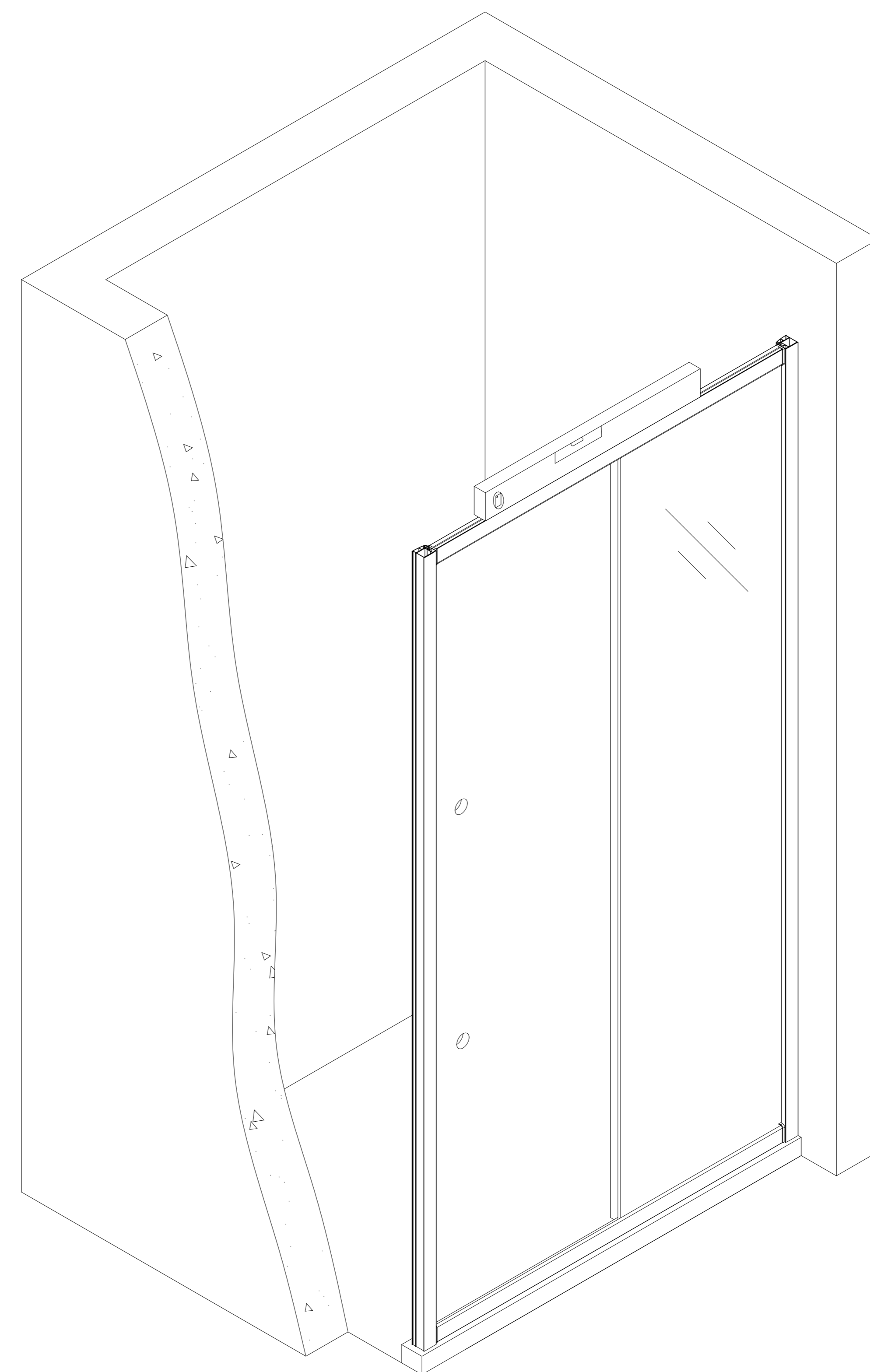
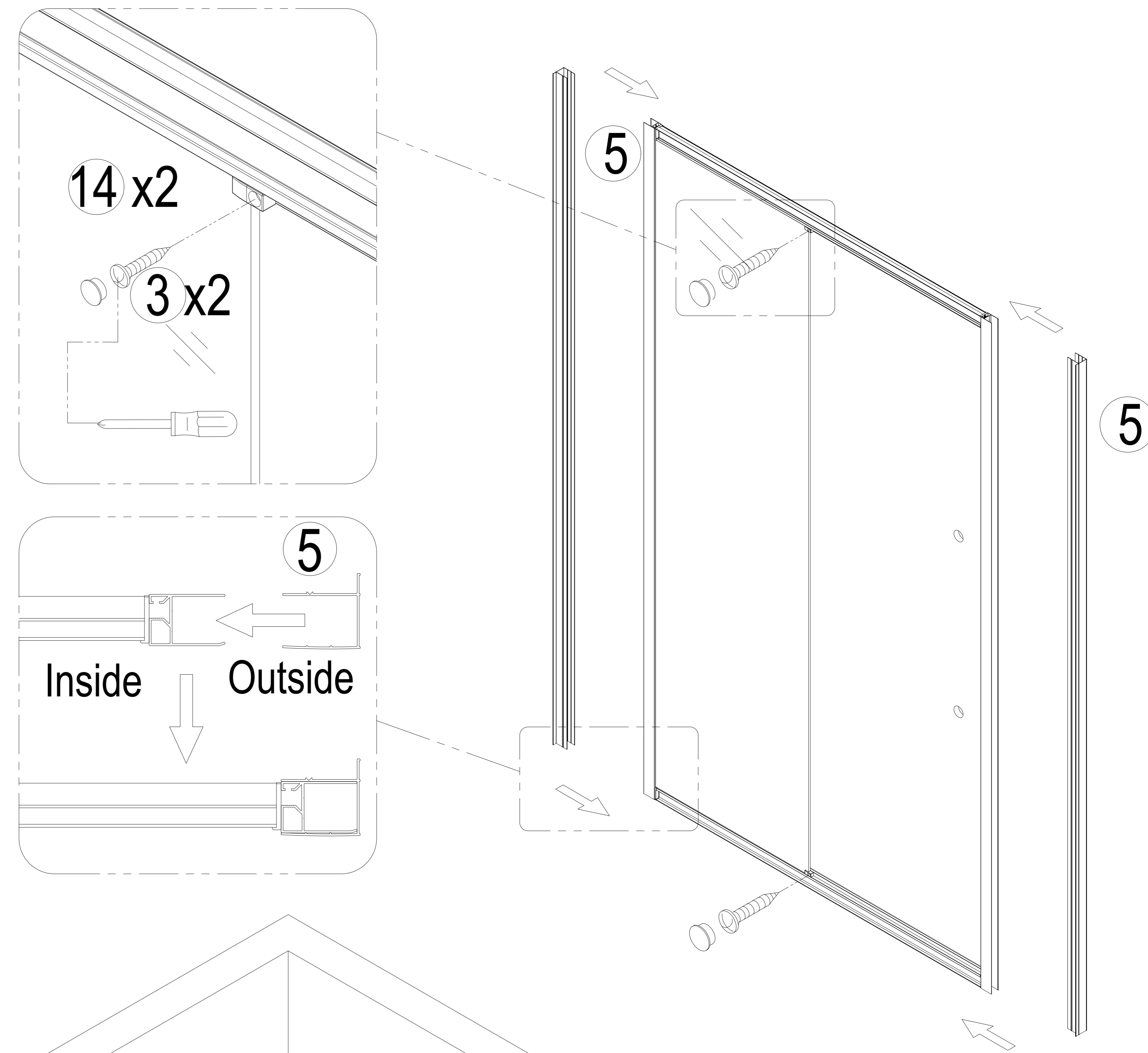
The seal requires to be against the rail.



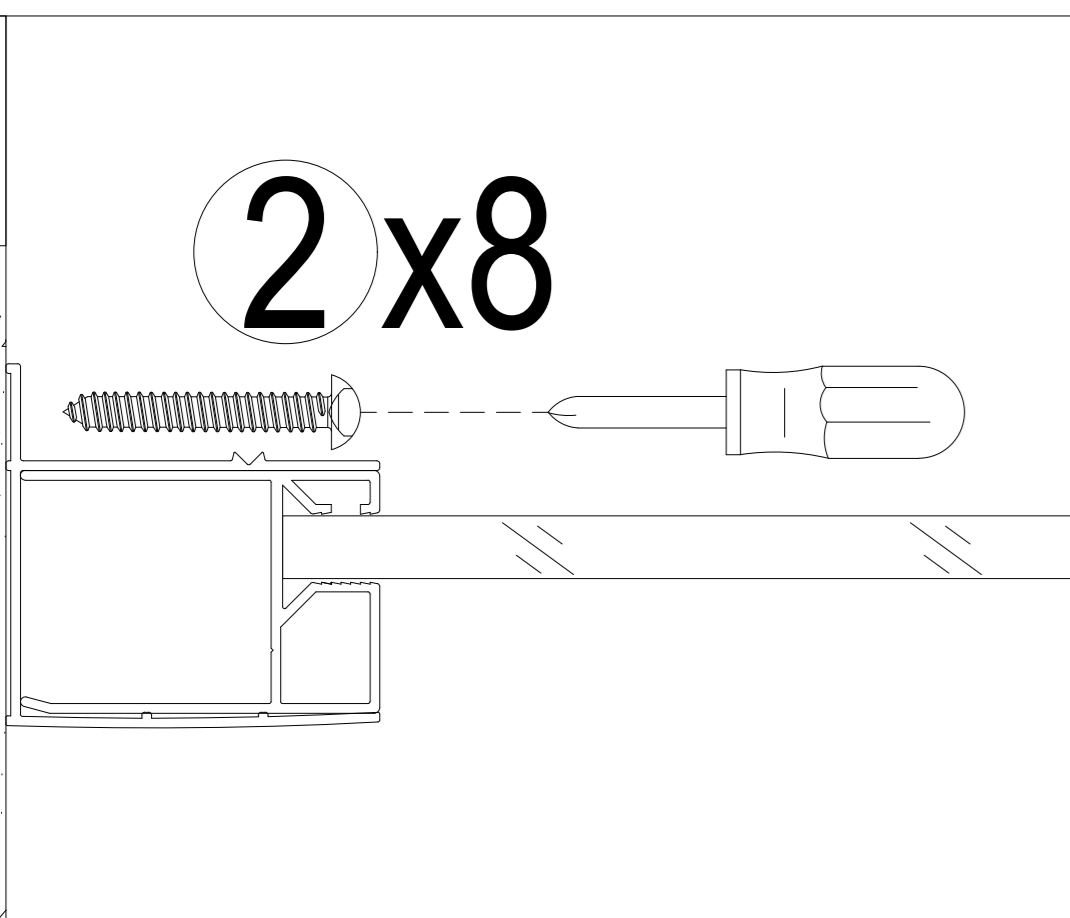
4



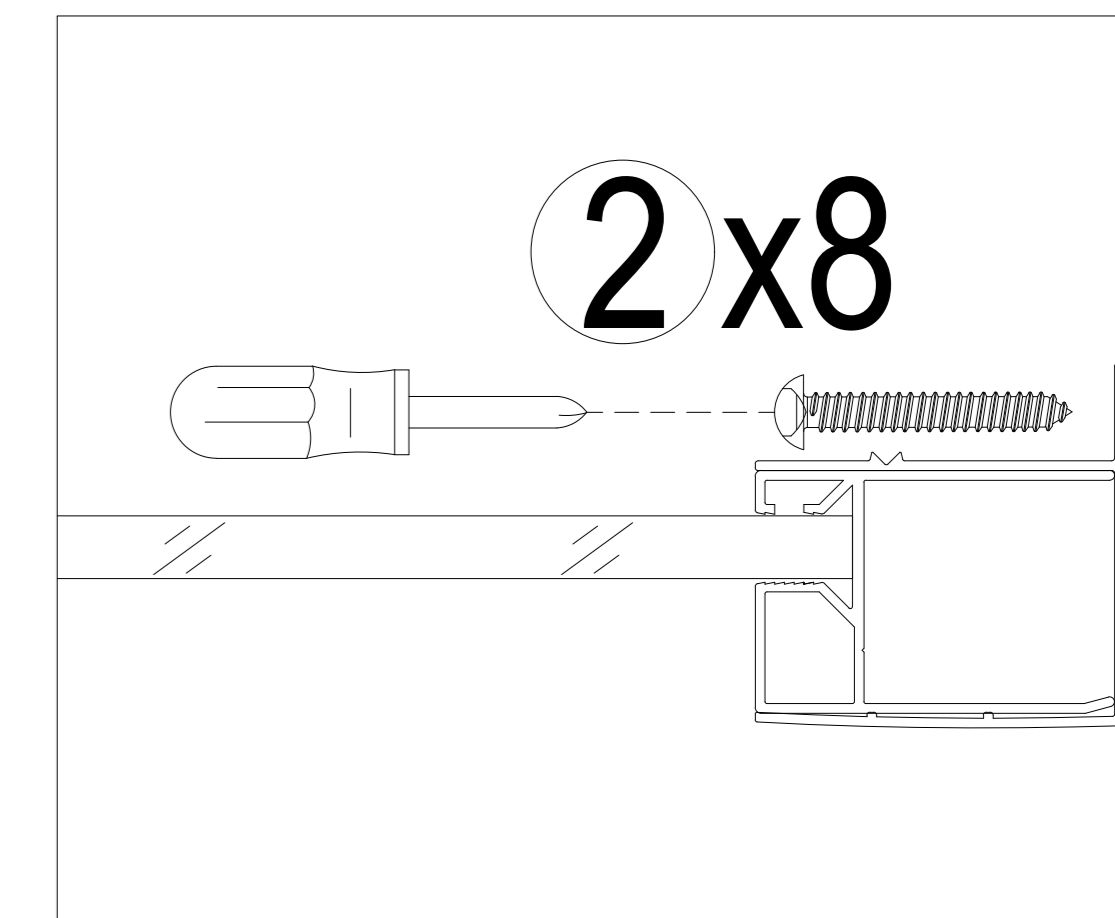
4



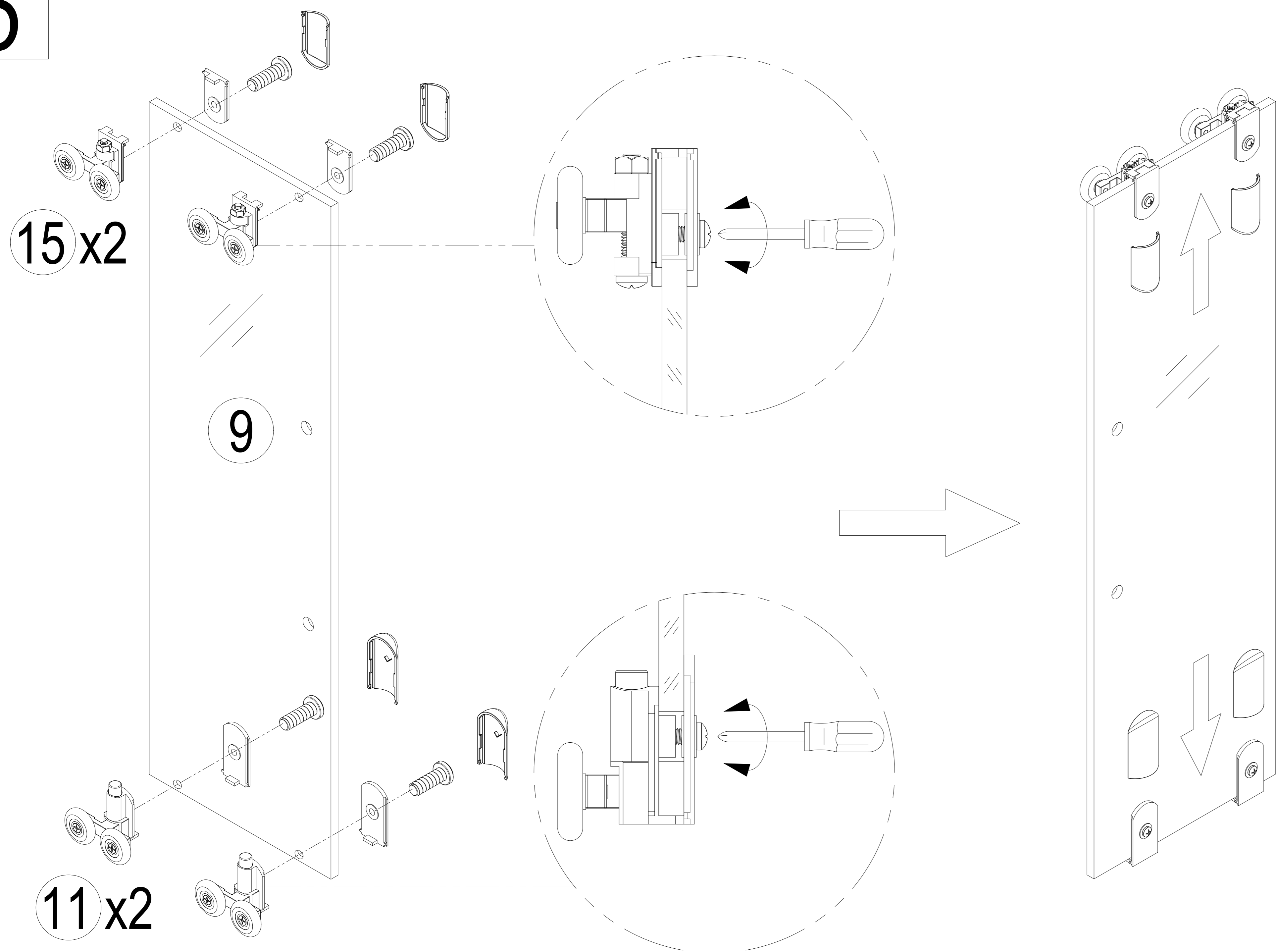
4-1



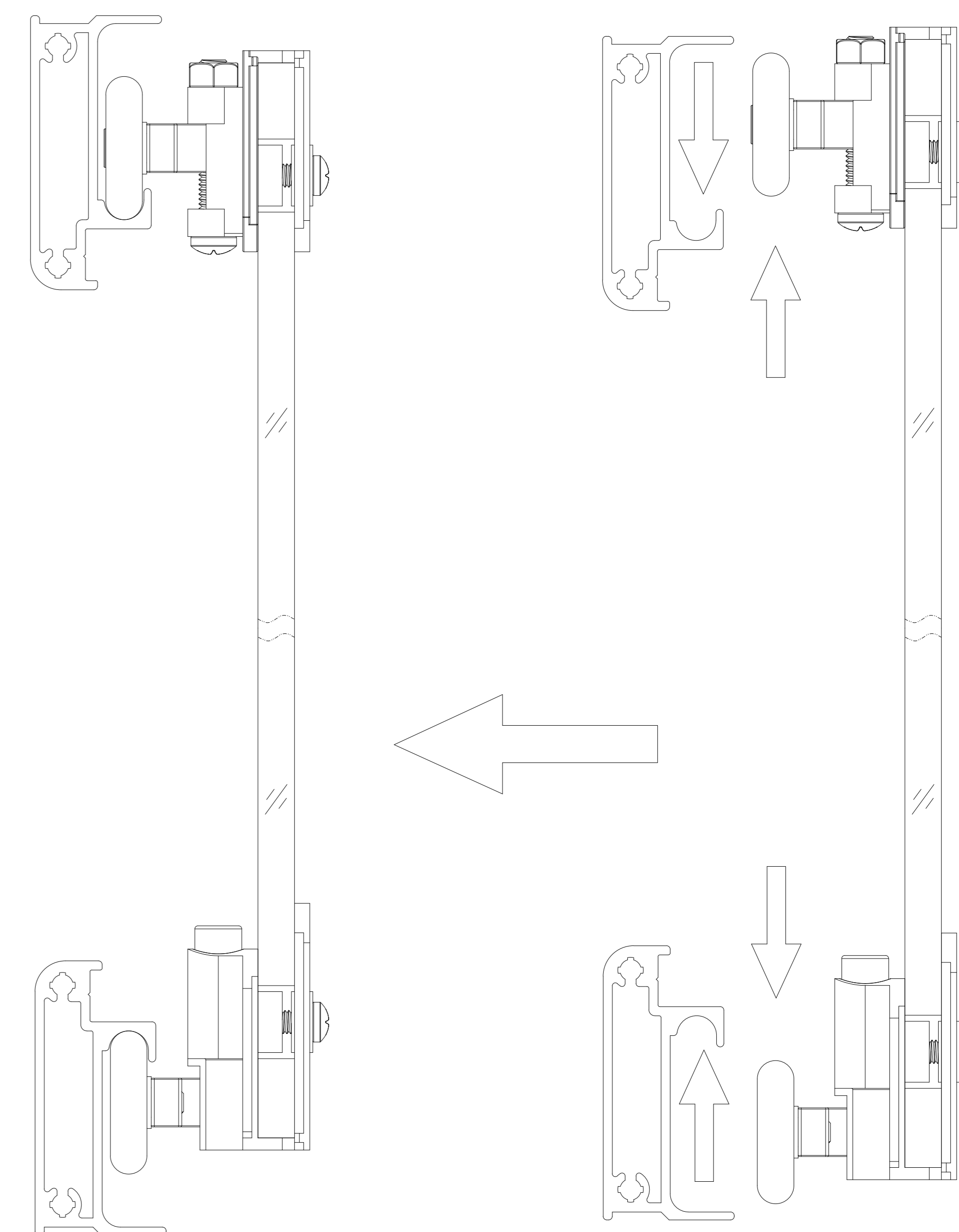
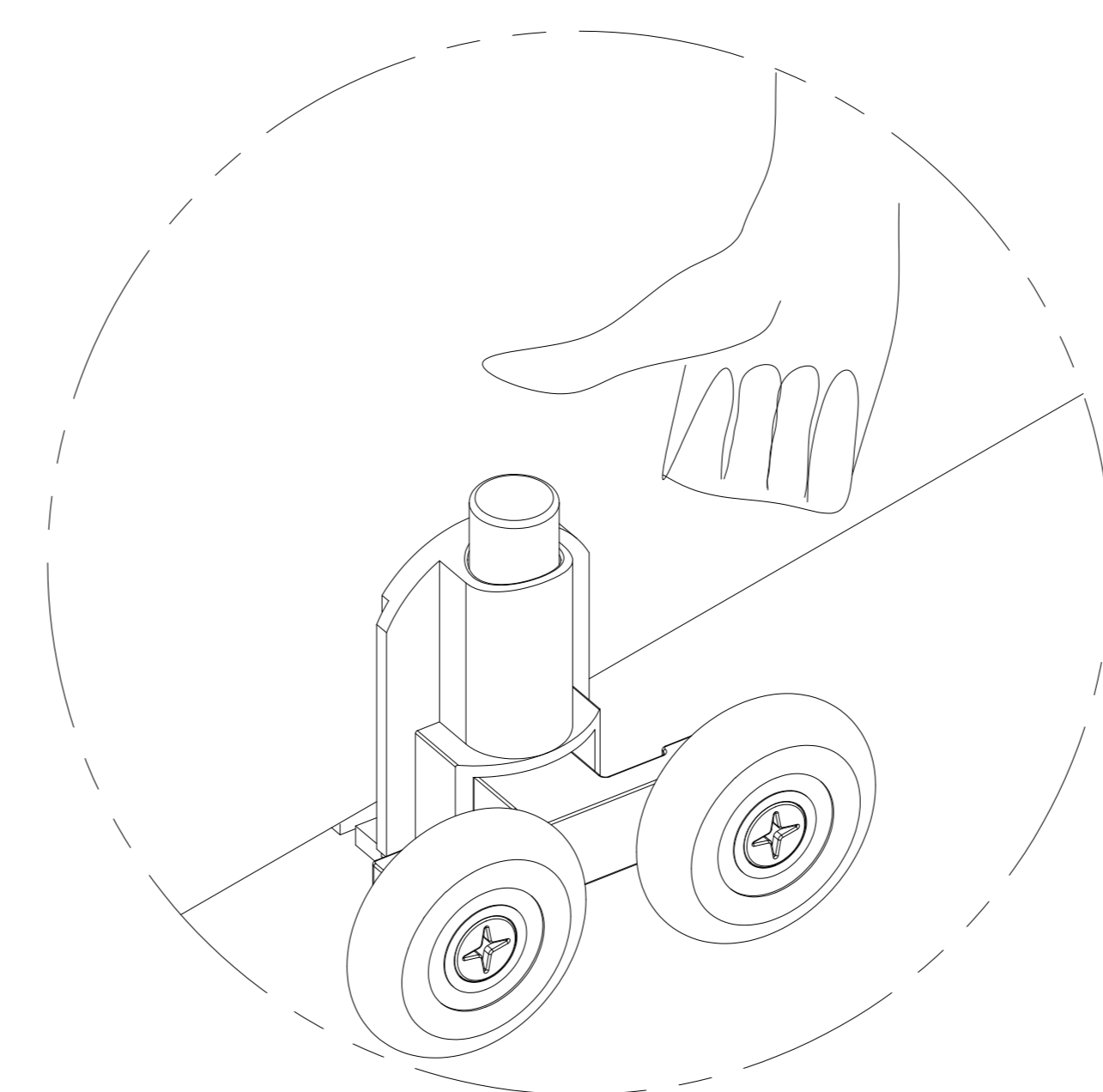
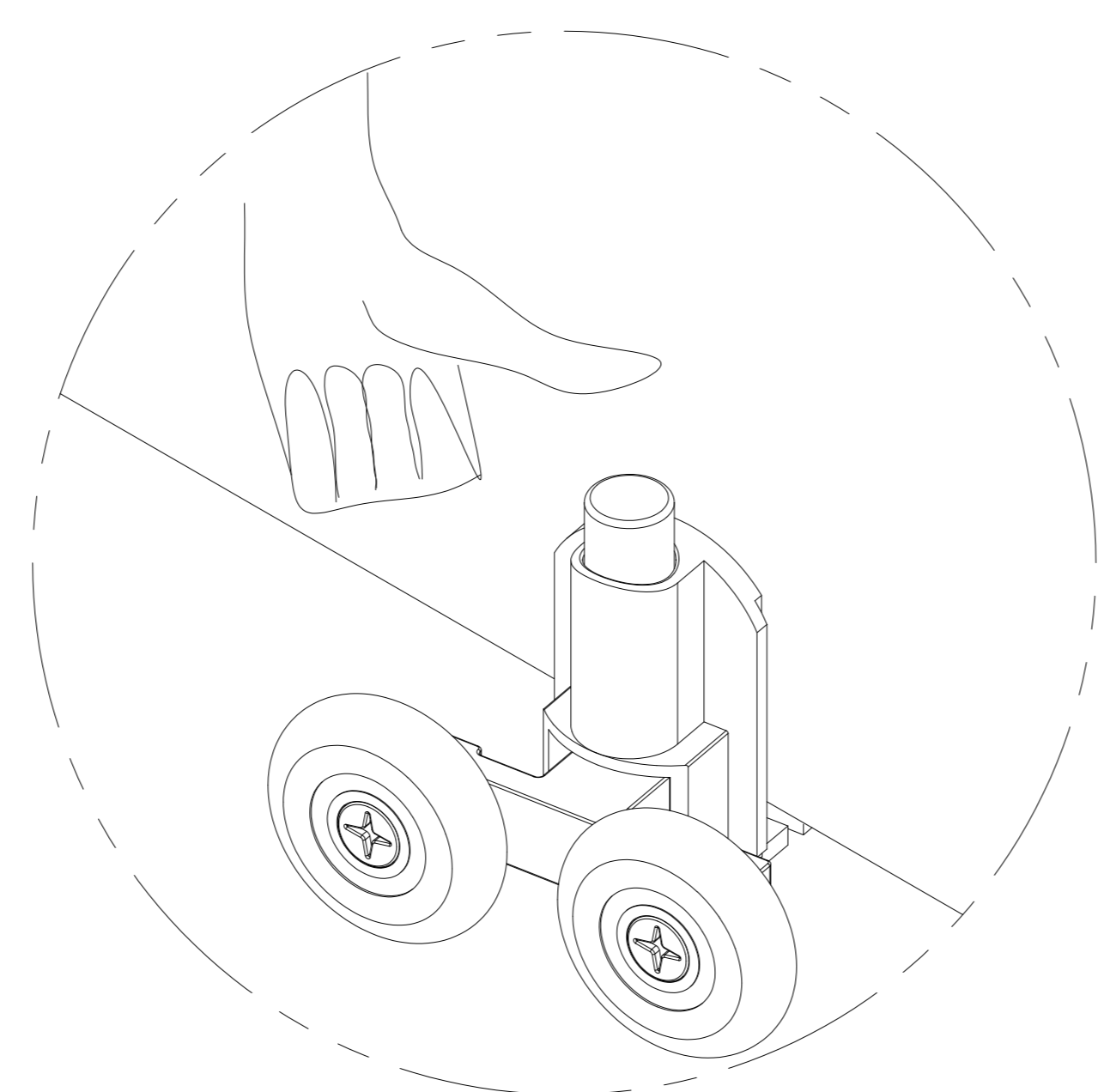
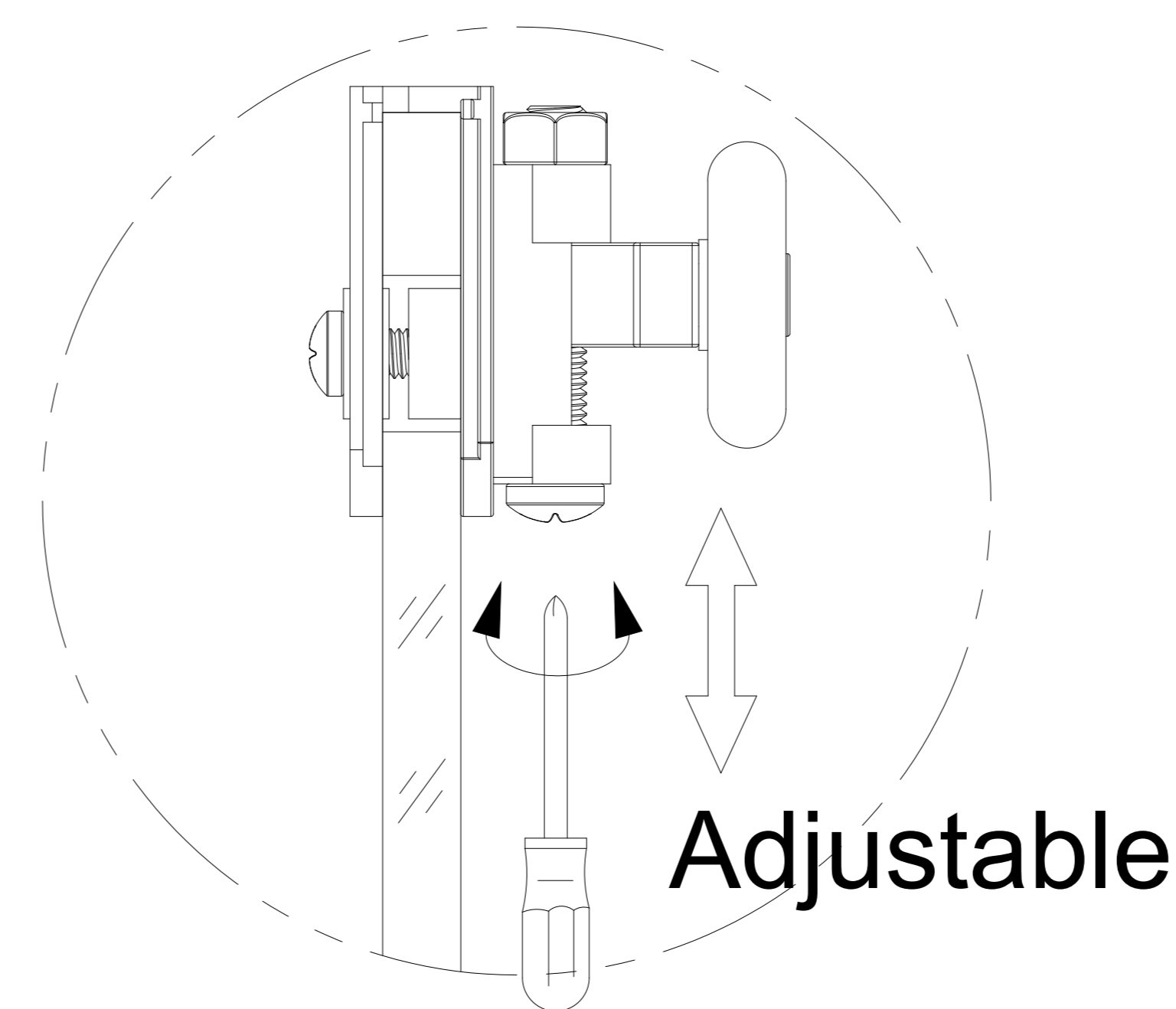
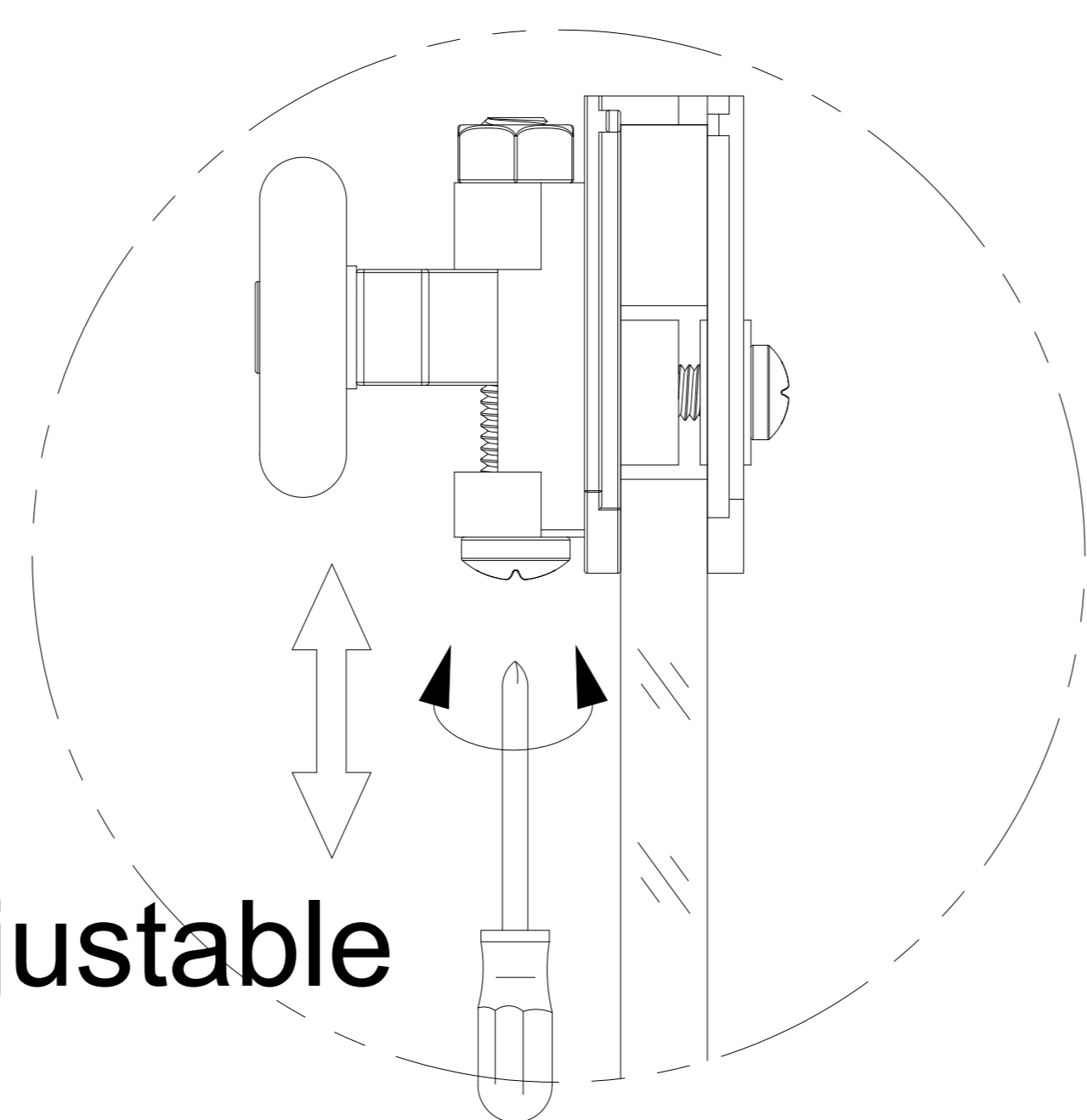
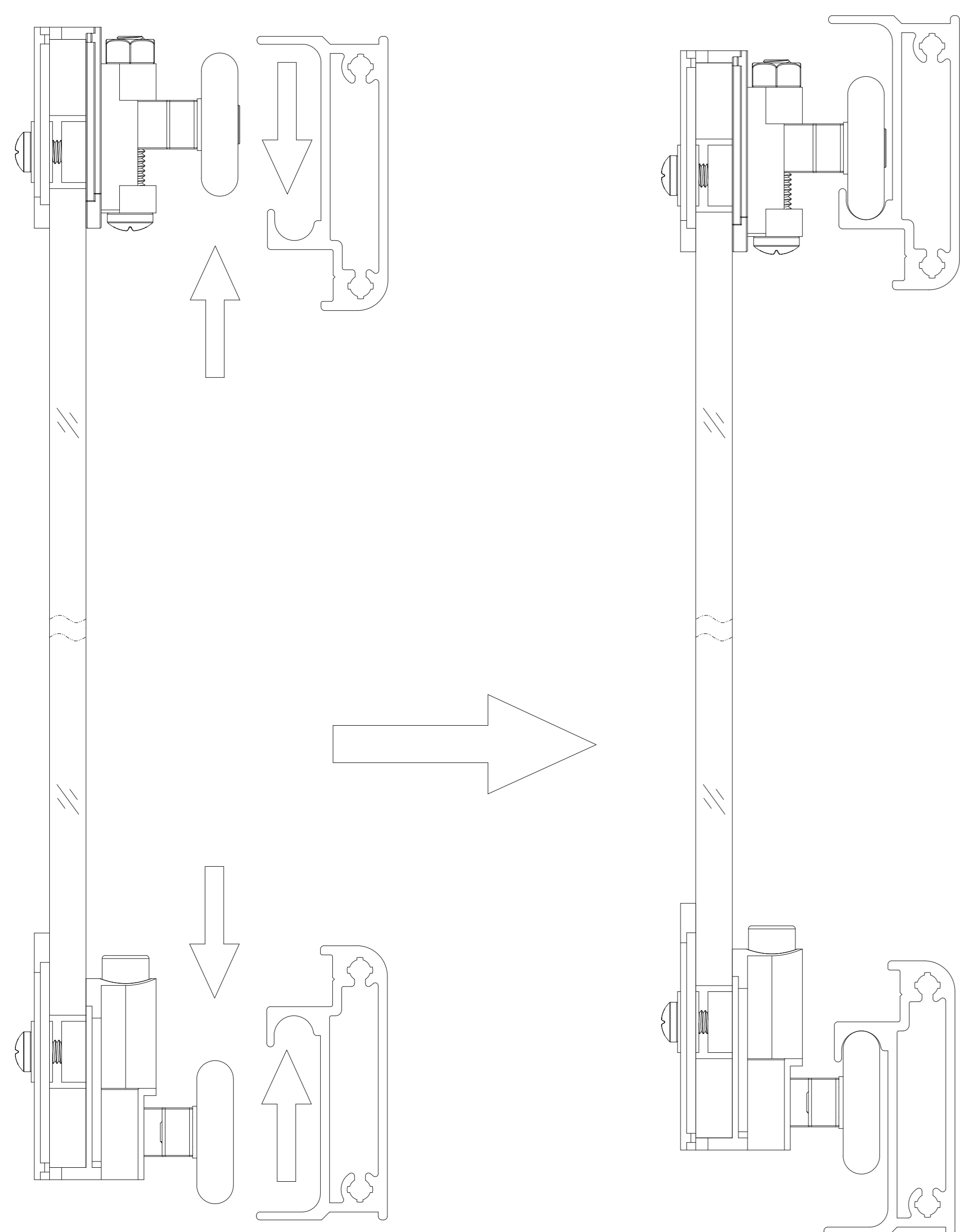
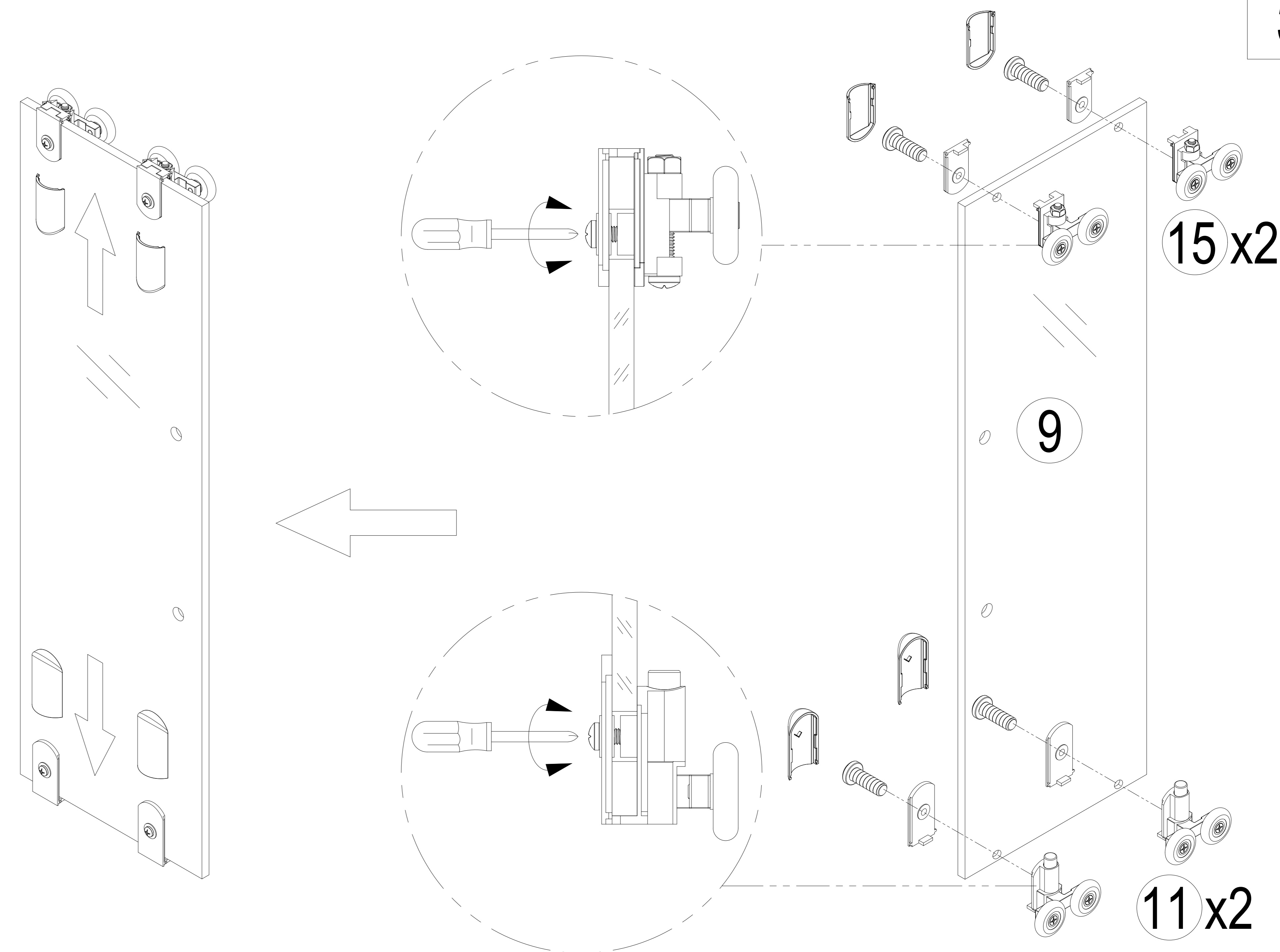
4-1



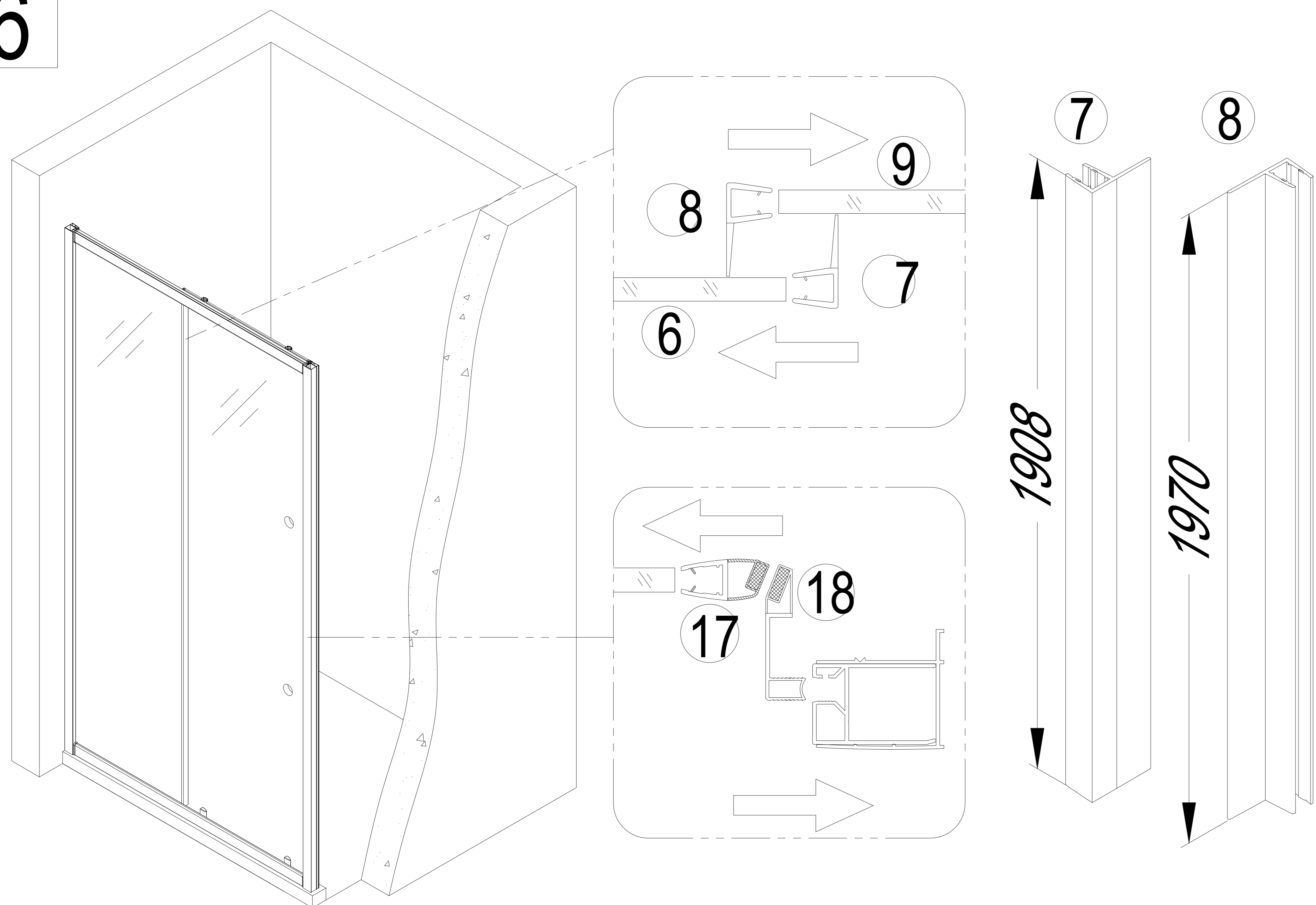
5



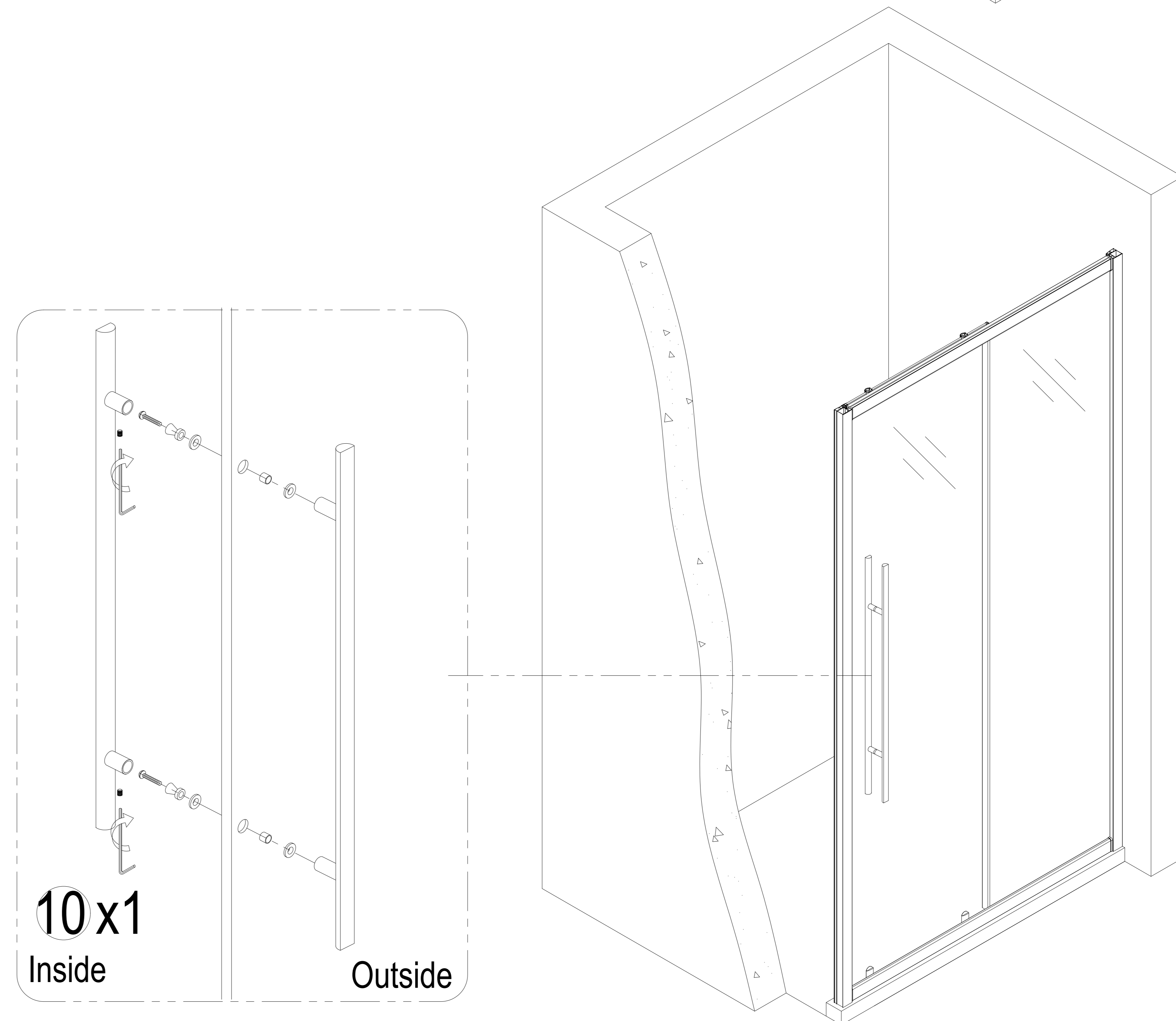
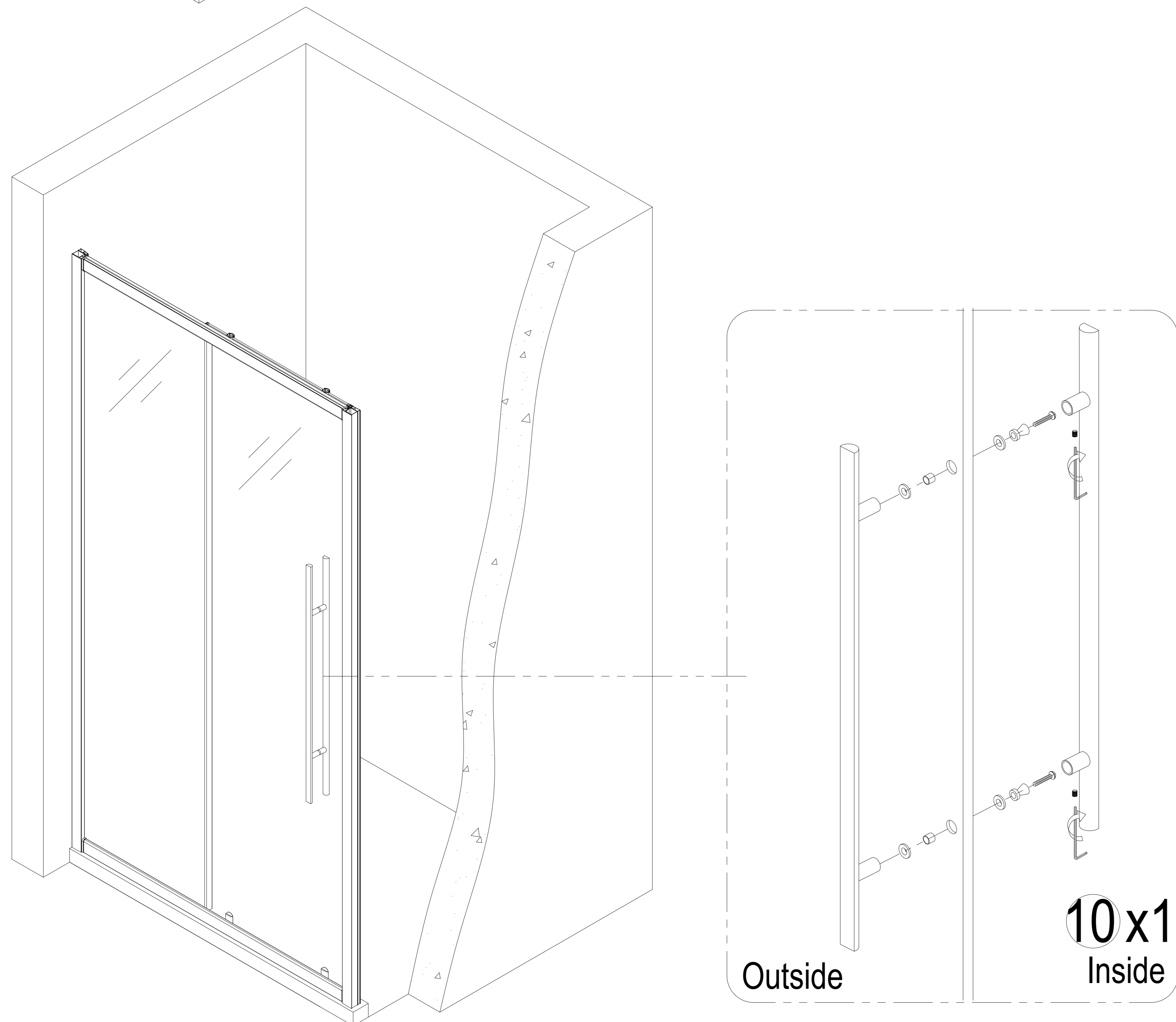
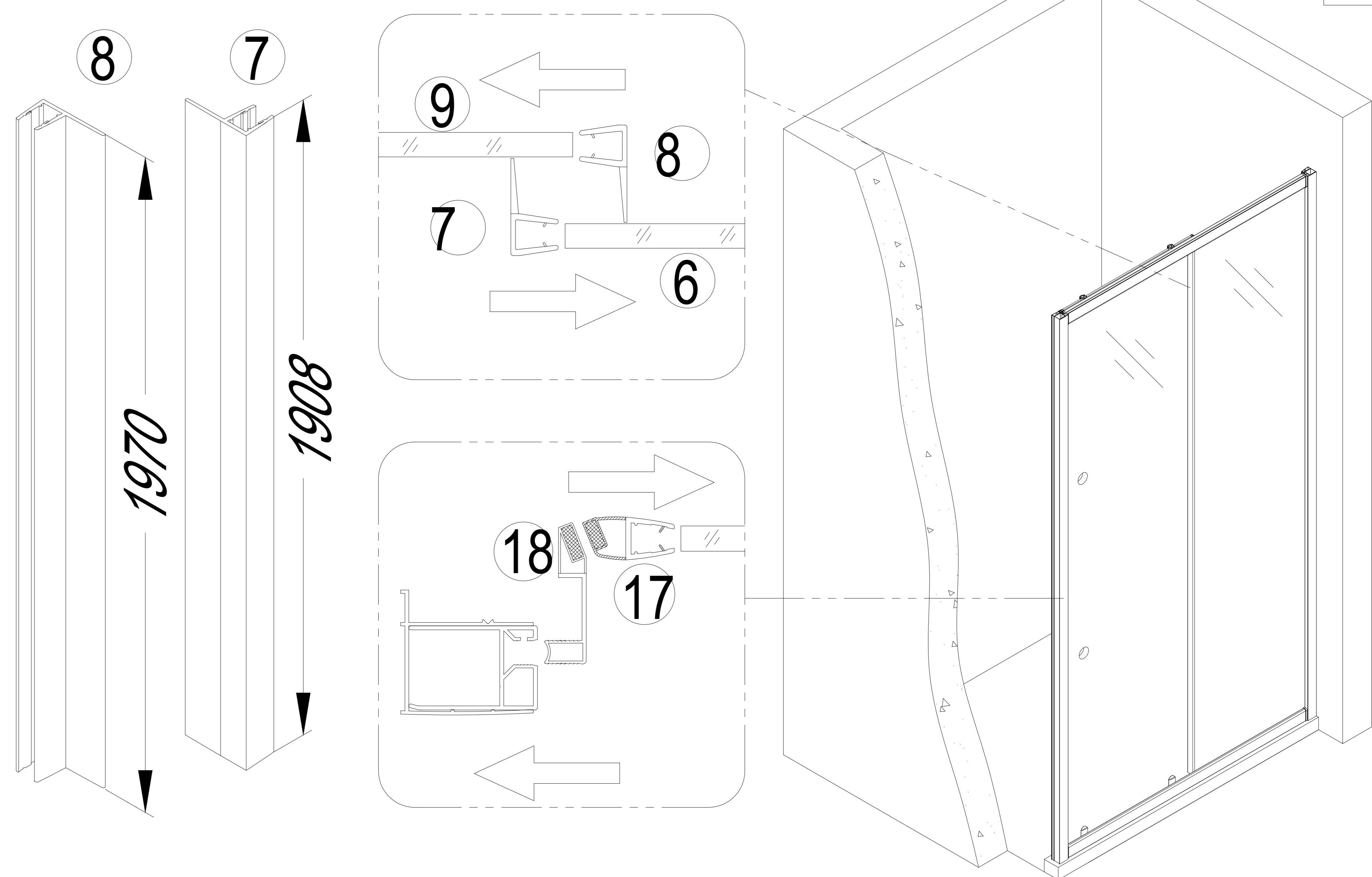
5

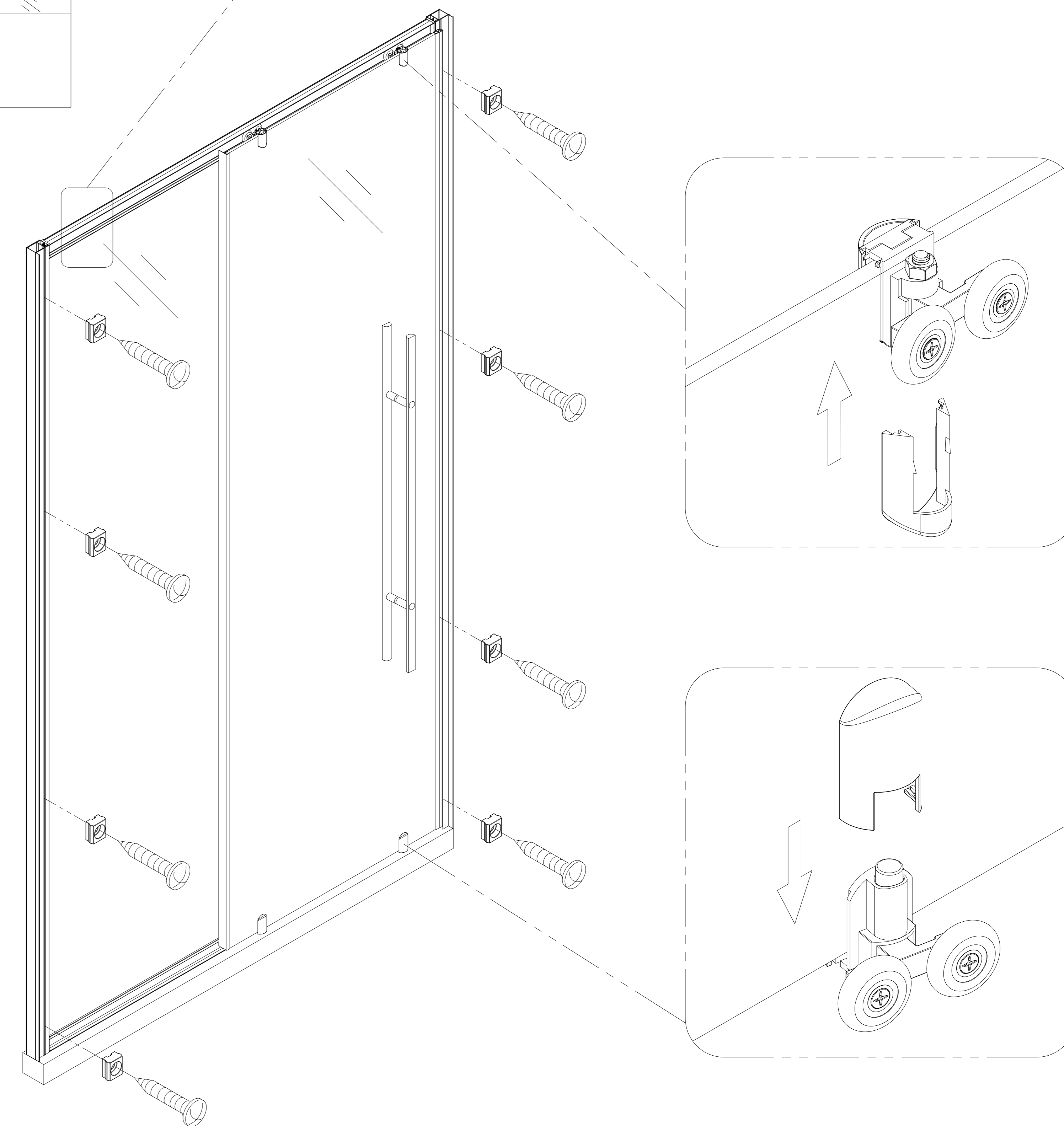
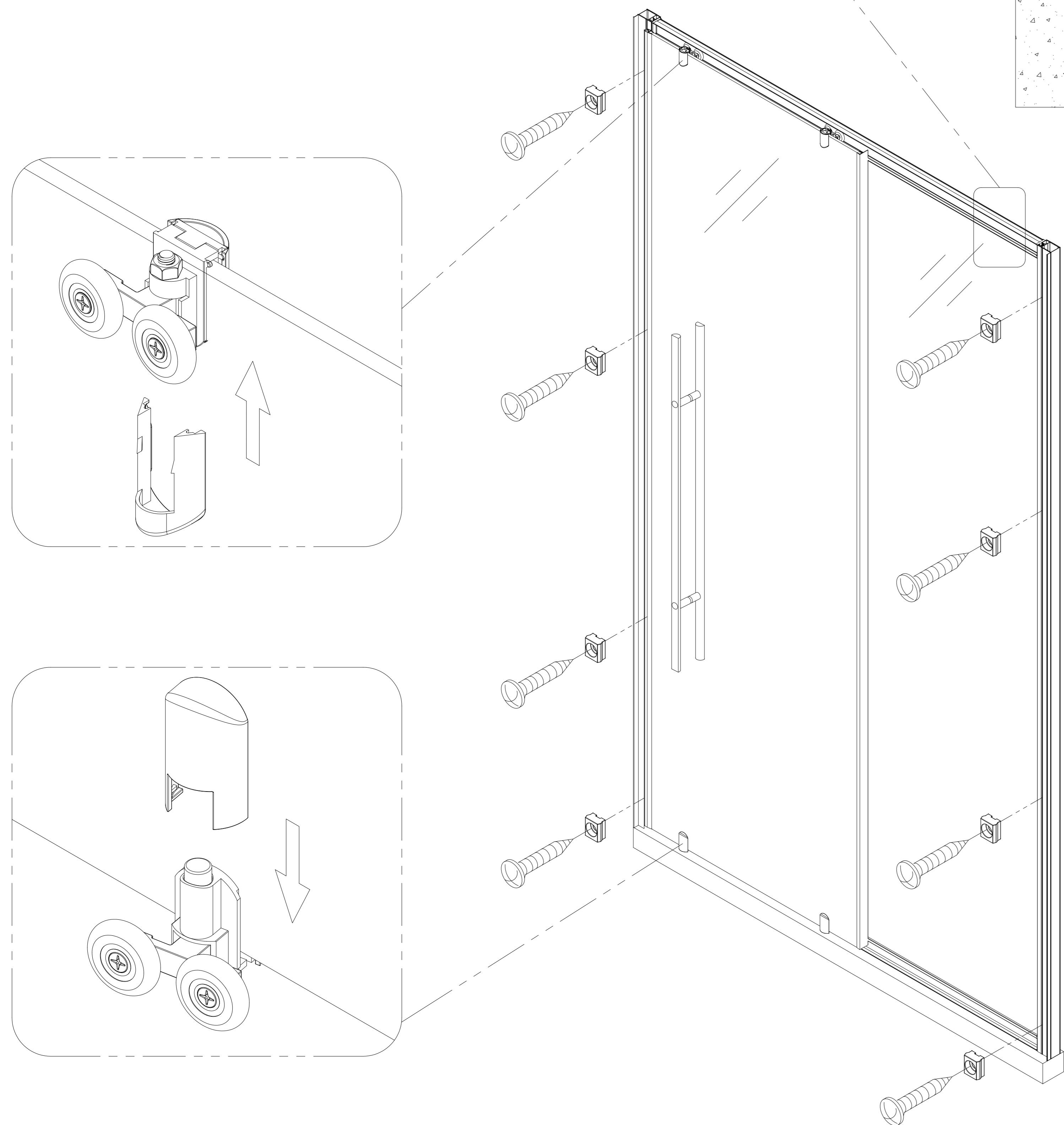
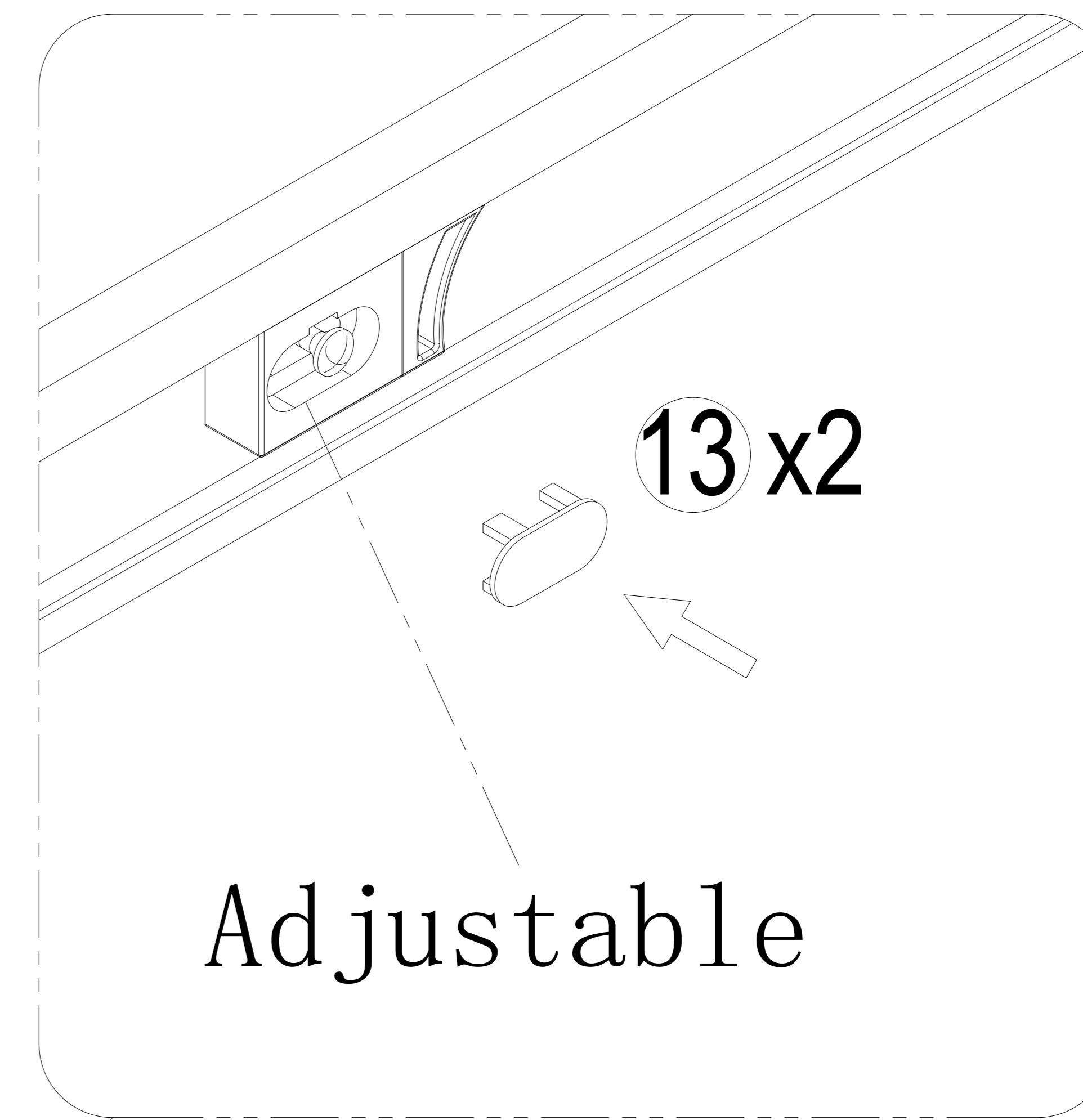
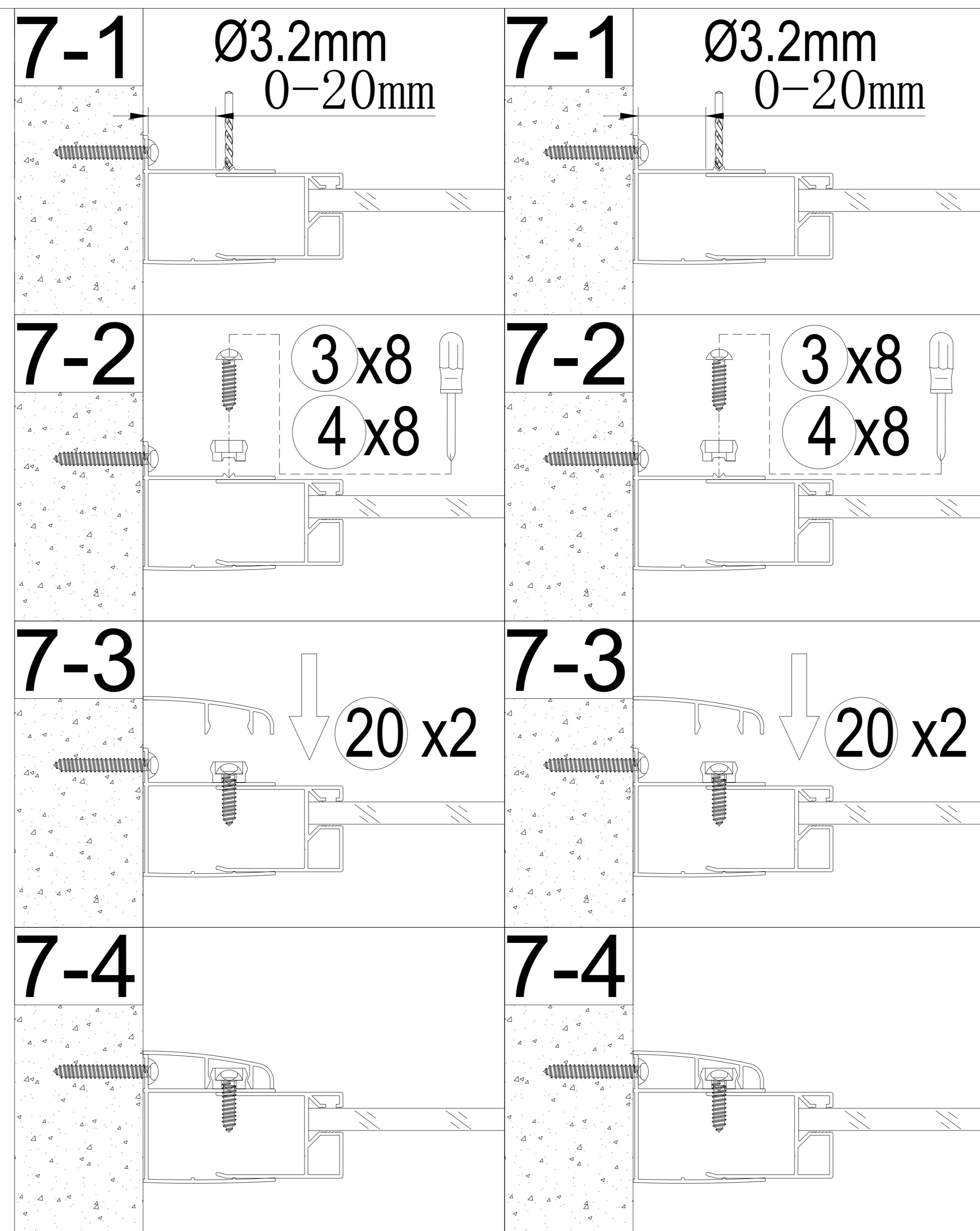
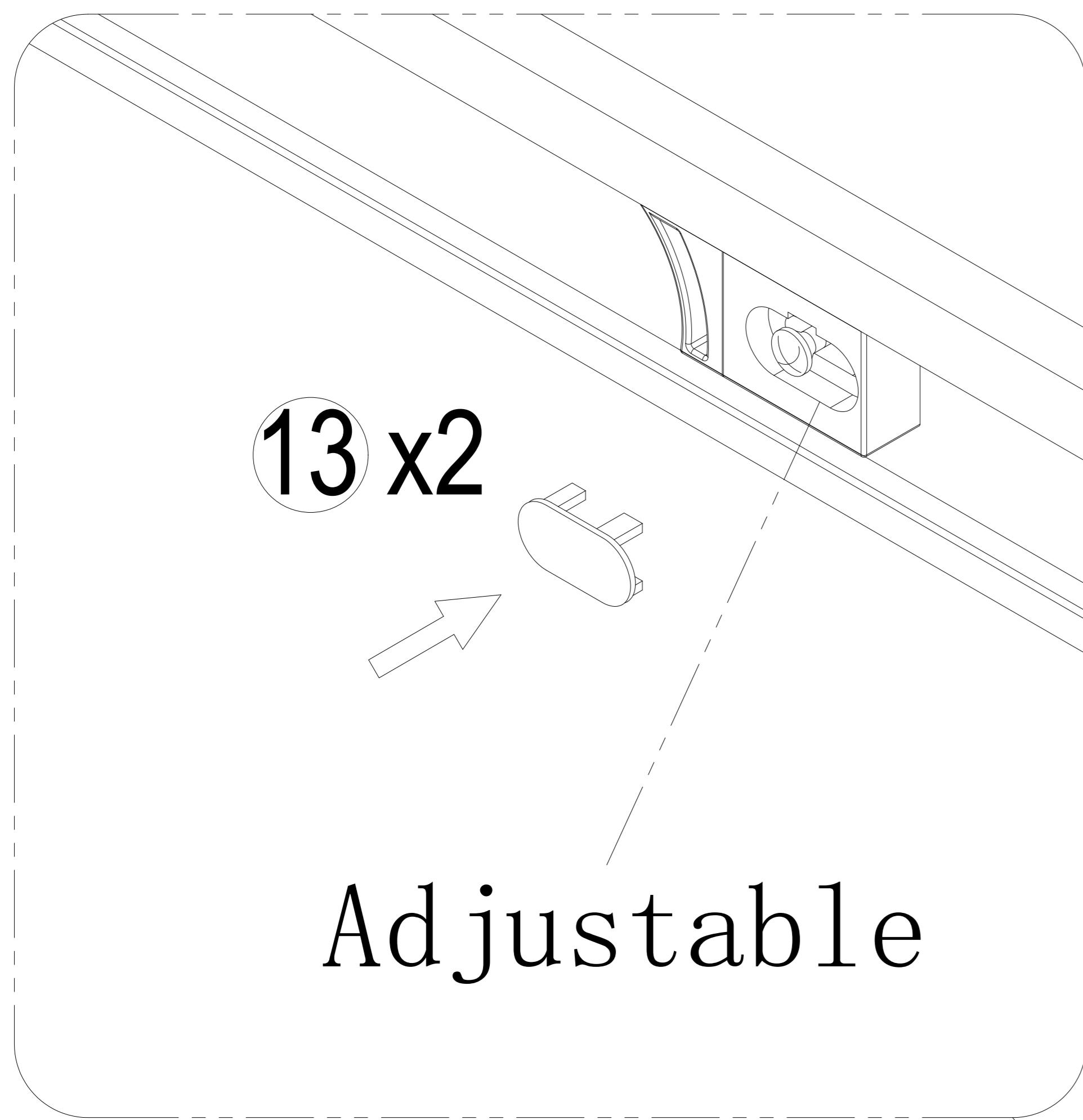


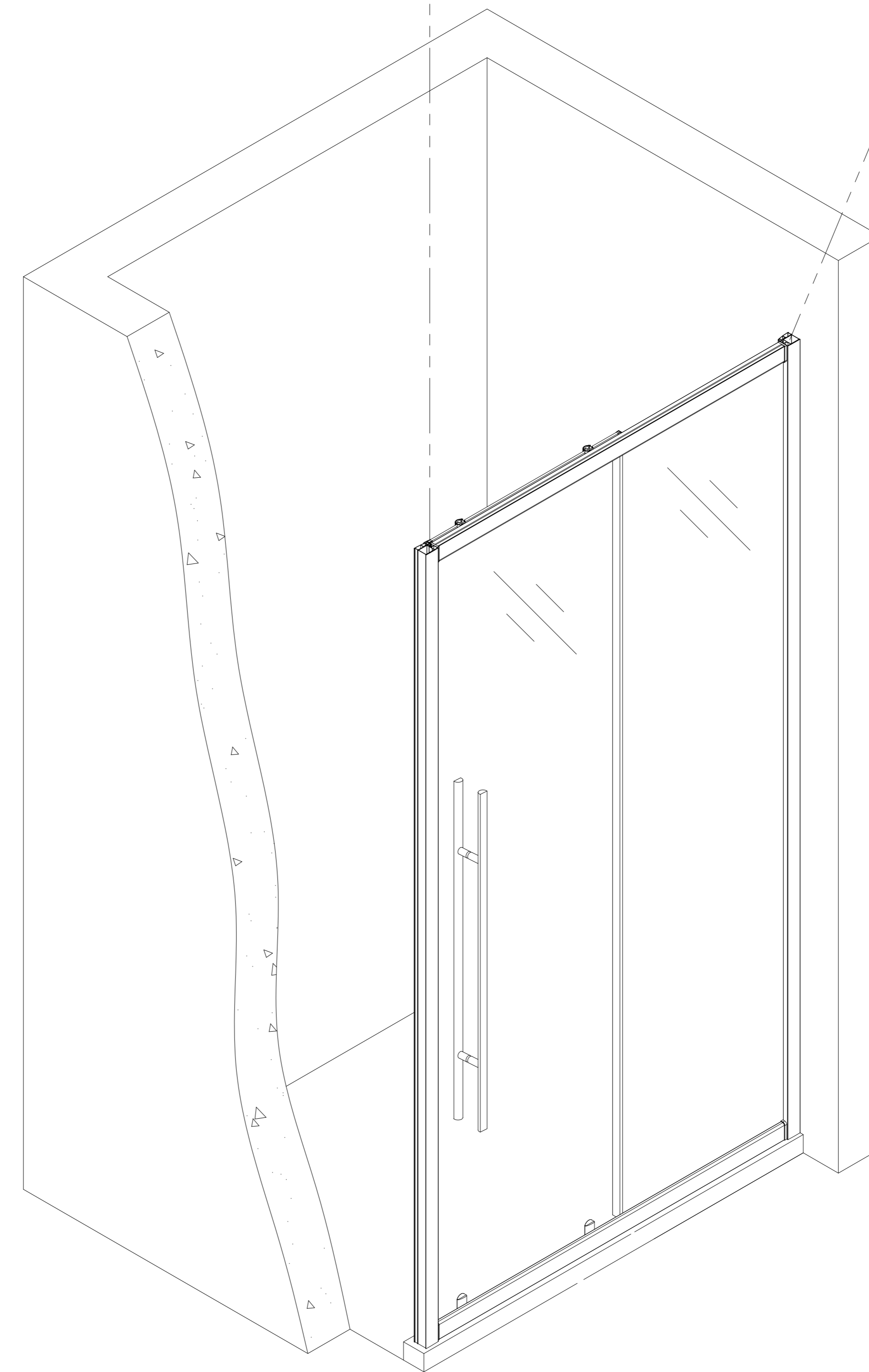
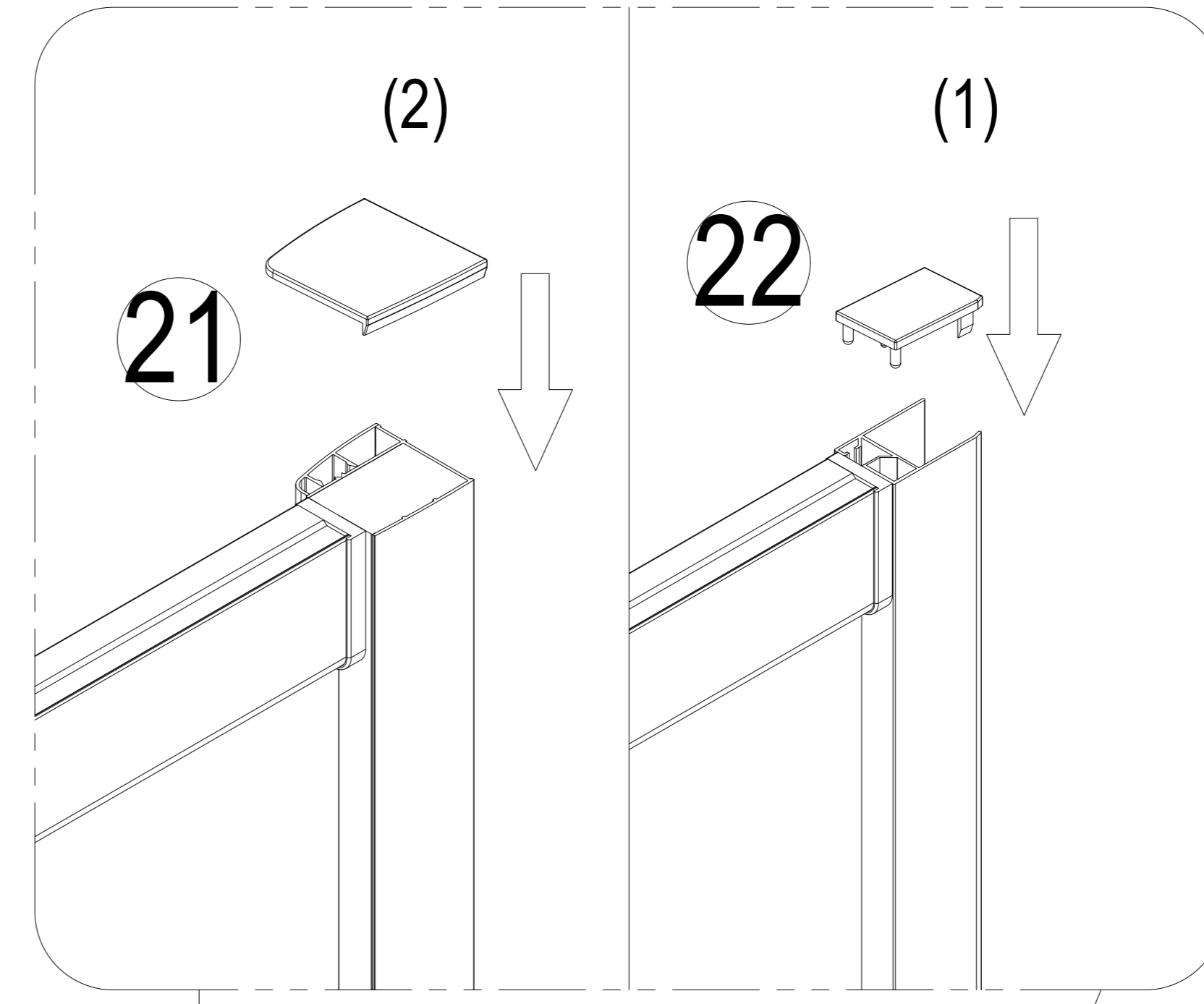
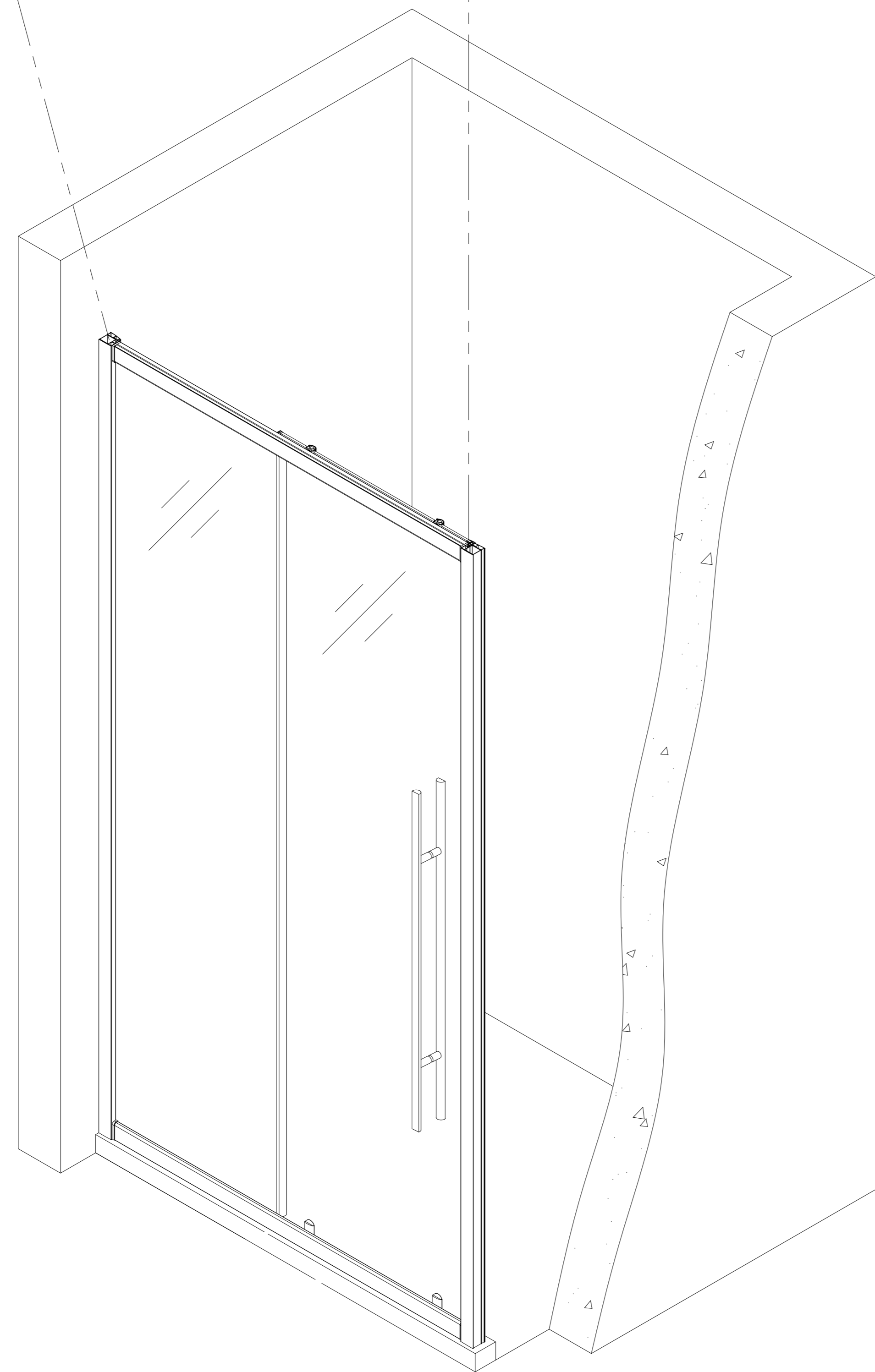
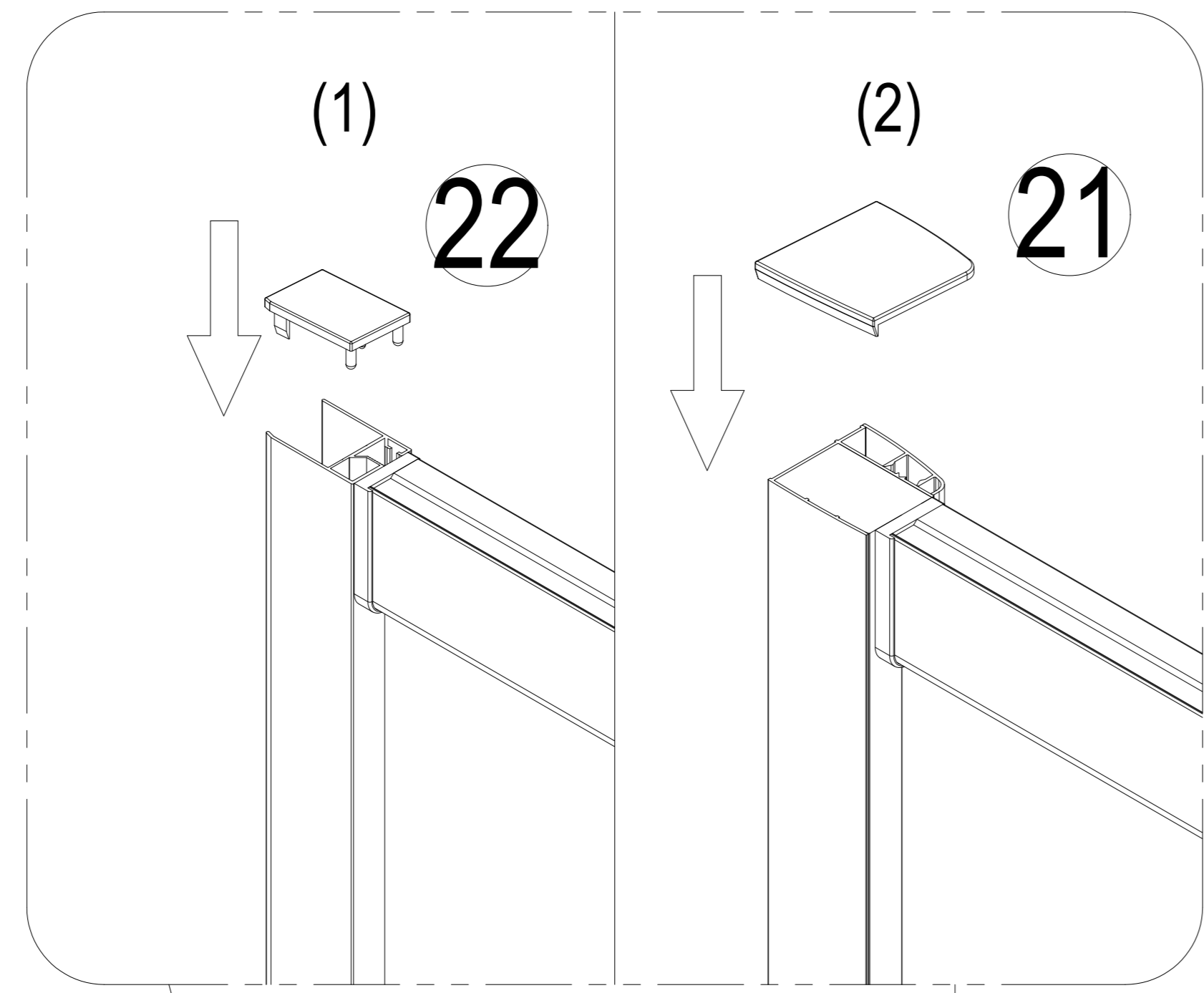
6



6

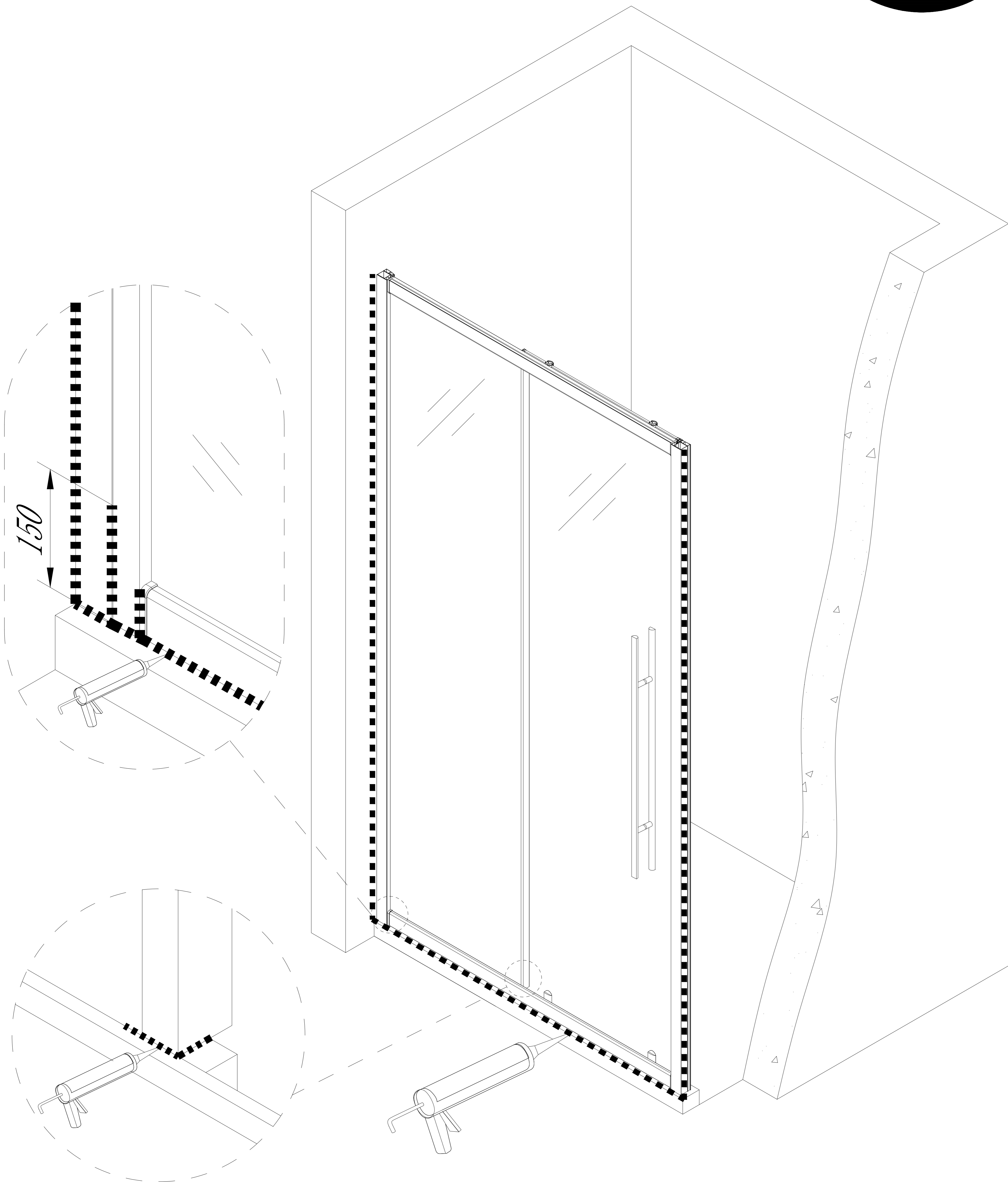






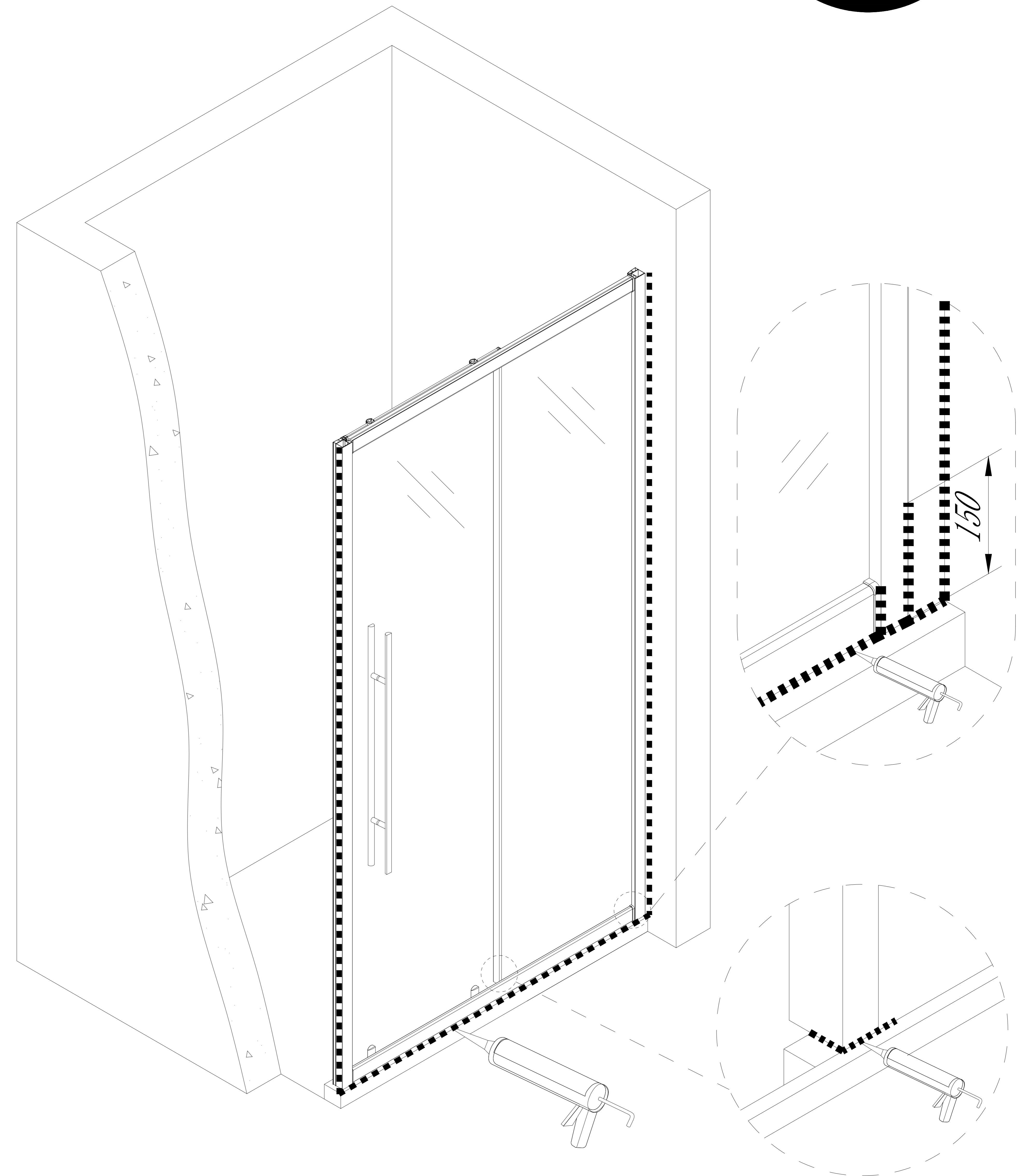
Care Instructions:

Do not use your shower enclosure within 24 hours of assembly .
Do not use caustic cleaning products or abrasive material when cleaning your shower enclosure.



Care Instructions:

Do not use your shower enclosure within 24 hours of assembly .
Do not use caustic cleaning products or abrasive material when cleaning your shower enclosure.



Eastbrook

Eastbrook Road, Gloucester GL4 3DB

Technical Helpline: 01452 317890

Email: technical@eastbrookco.com

Cleaning and Maintenance of Shower Enclosures

Do not clean the shower enclosure with irritant detergents such as alcohol, bleach or other chemical cleaners.

Only clean with mild soapy water or a proprietary cleaner where the label advises it is suitable for the materials the enclosure is constructed from. Test on a small area first.

For treating limescale we would recommend distilled vinegar in a half and half solution with water.

Following installation should you find that there is a notable noise when the glass door moves you may add a small amount of silicon lubricant onto the roller wheels and tracks, hinges or clips.

It is the responsibility of the product owner to maintain the product as recommended above. Also, to check for parts which have broken or become loose to protect against failure of the enclosure.