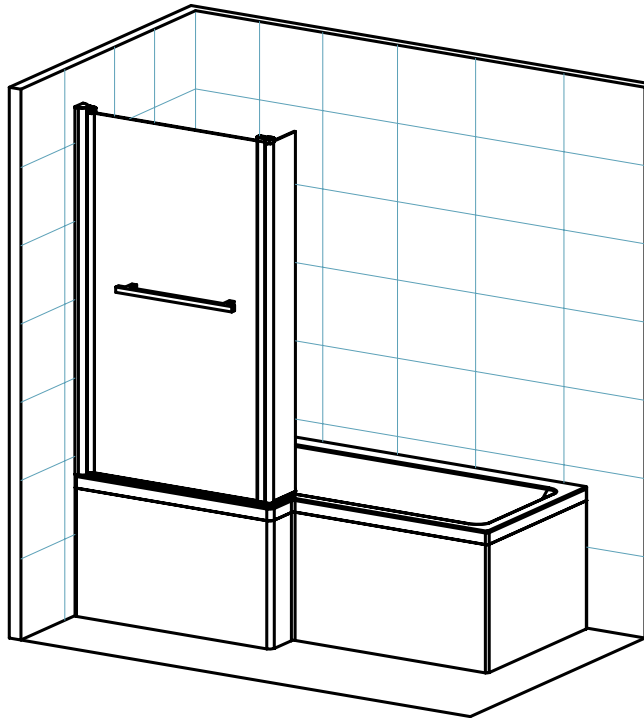
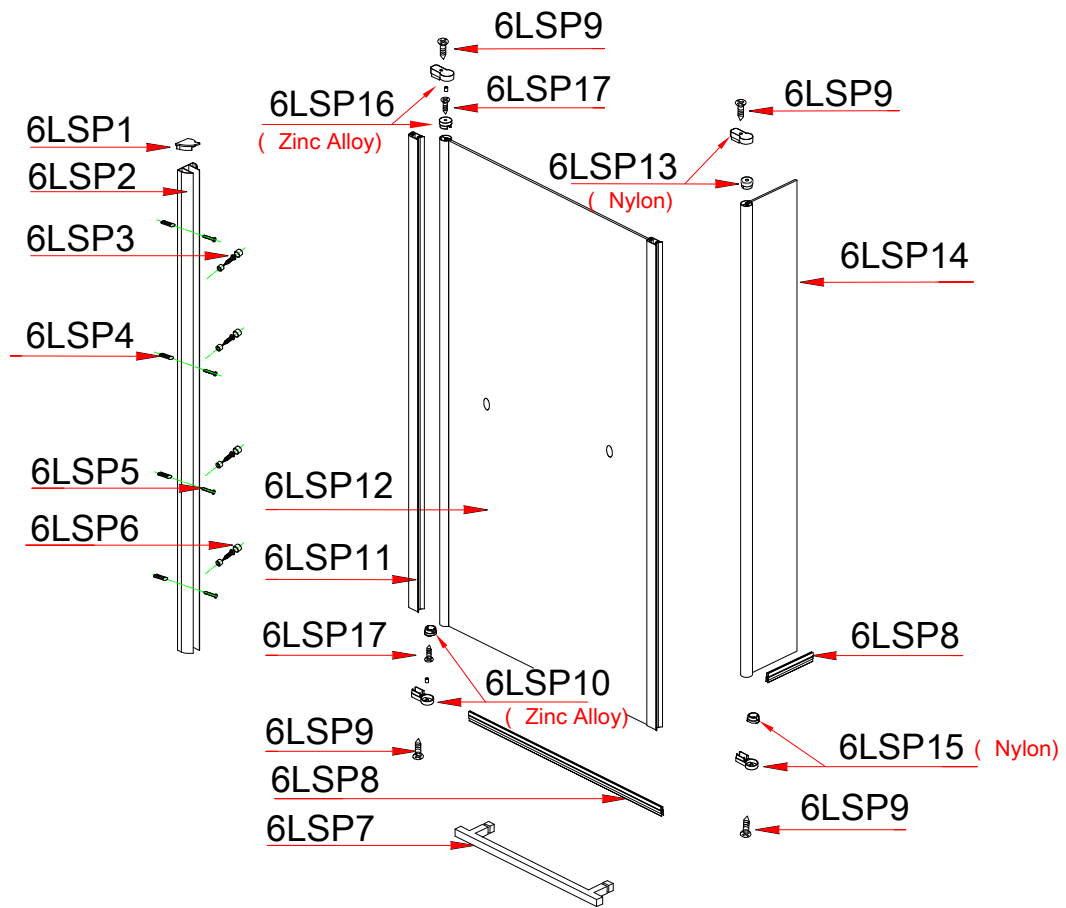


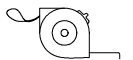
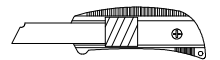
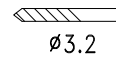
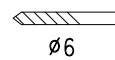
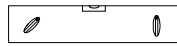
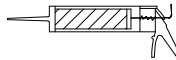
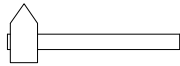
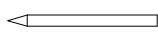
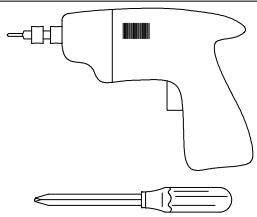
INSTALLATION MANUAL

Eastbrook Code	Adjustment	Eastbrook Code	Adjustment
69.0141	871-847		



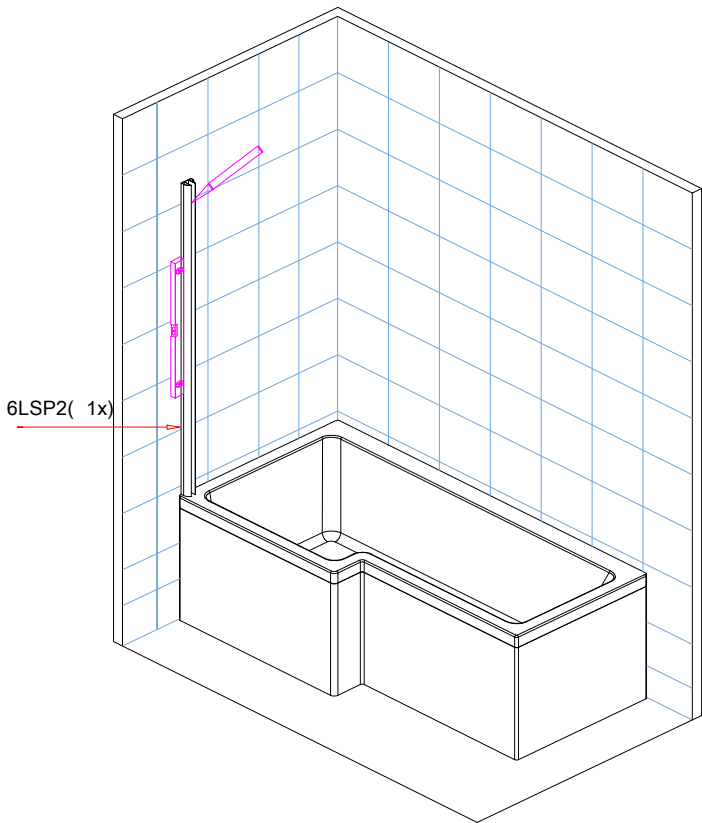


The pivot axis *6LSP16 and pivot base *6LSP10 of fixed glass are zinc alloy.
This product should only be fixed by a fully qualified installer

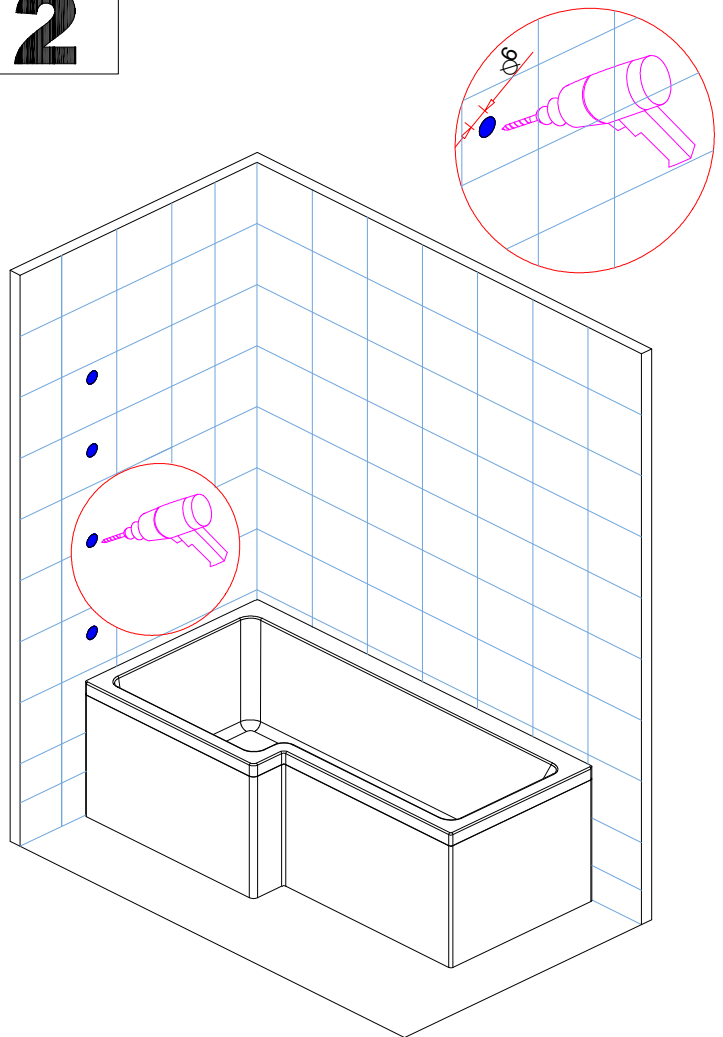


6LSP1 1X	6LSP2 1X	6LSP3 4X	6LSP4 4X	6LSP5 4X
6LSP6 4X	6LSP7 4X	6LSP8 2X	6LSP9 4X	6LSP10 (Zinc Alloy) 1X
6LSP11 1X	6LSP12 1X	6LSP13 (Nylon) 1X	6LSP14 1X	6LSP15 (Nylon) 1X
6LSP16 (Zinc Alloy) 1X	6LSP17 2X			

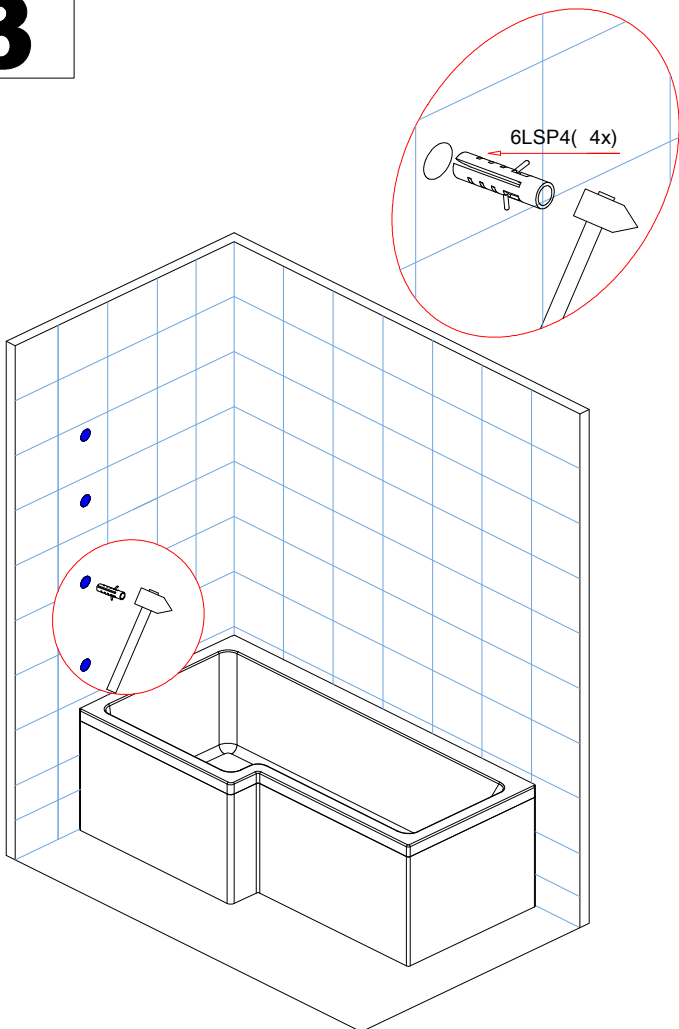
1



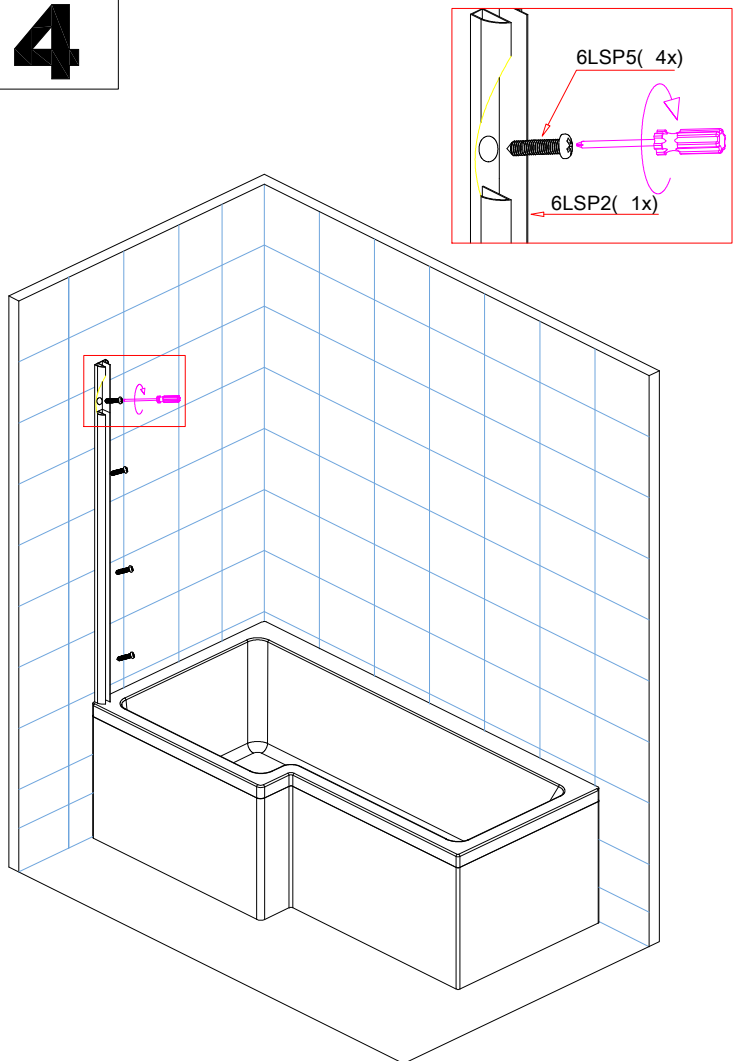
2



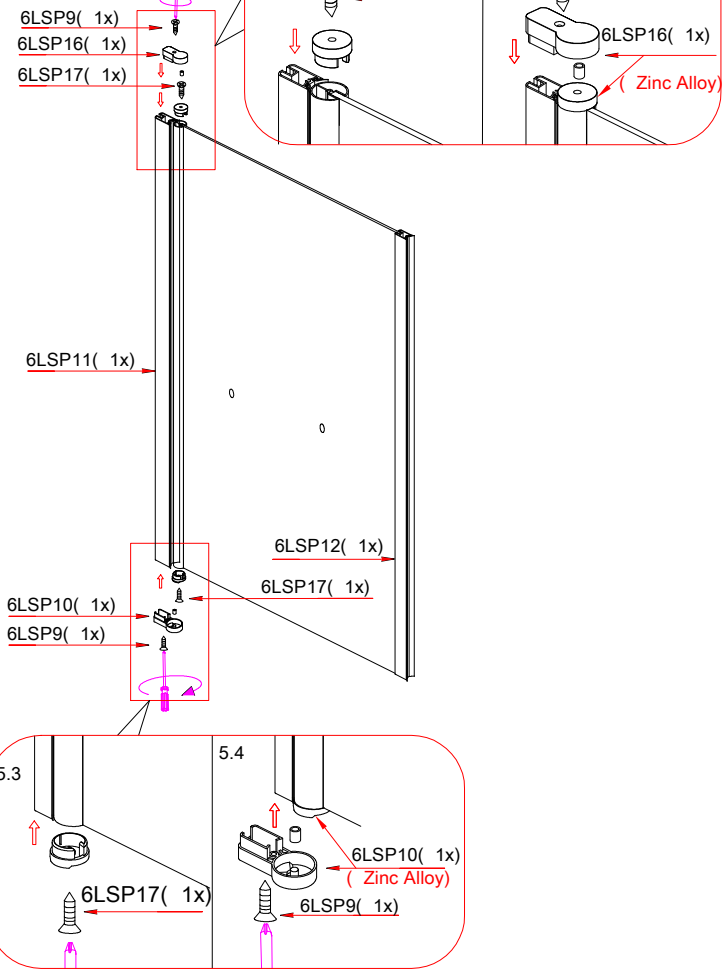
3



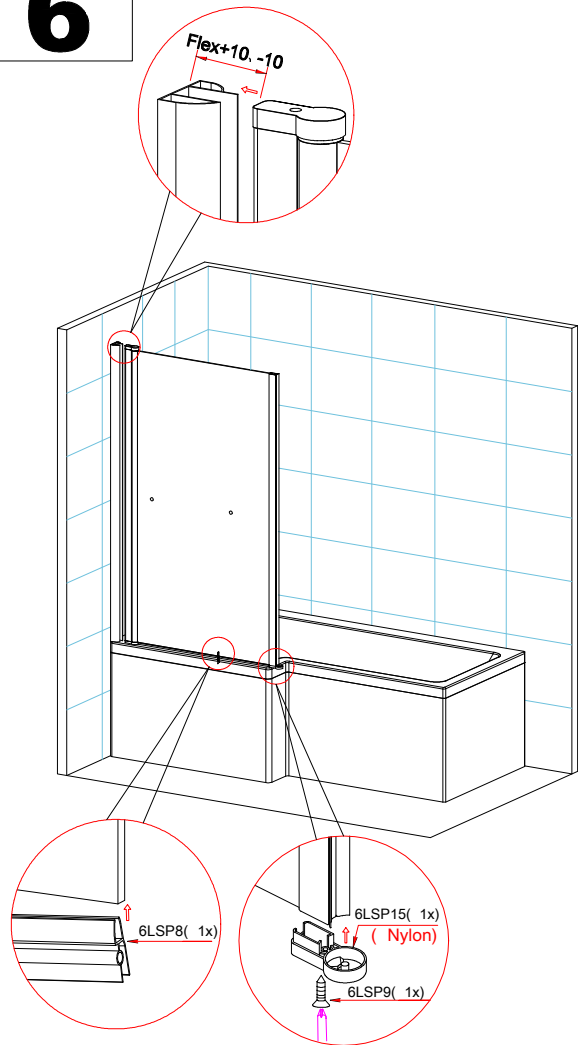
4



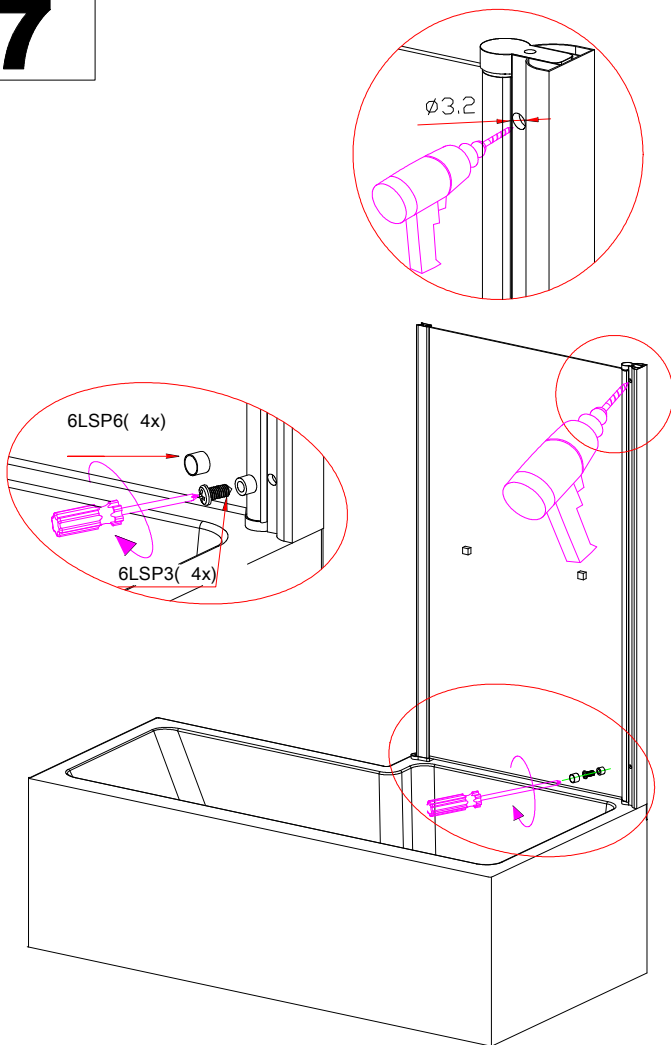
5



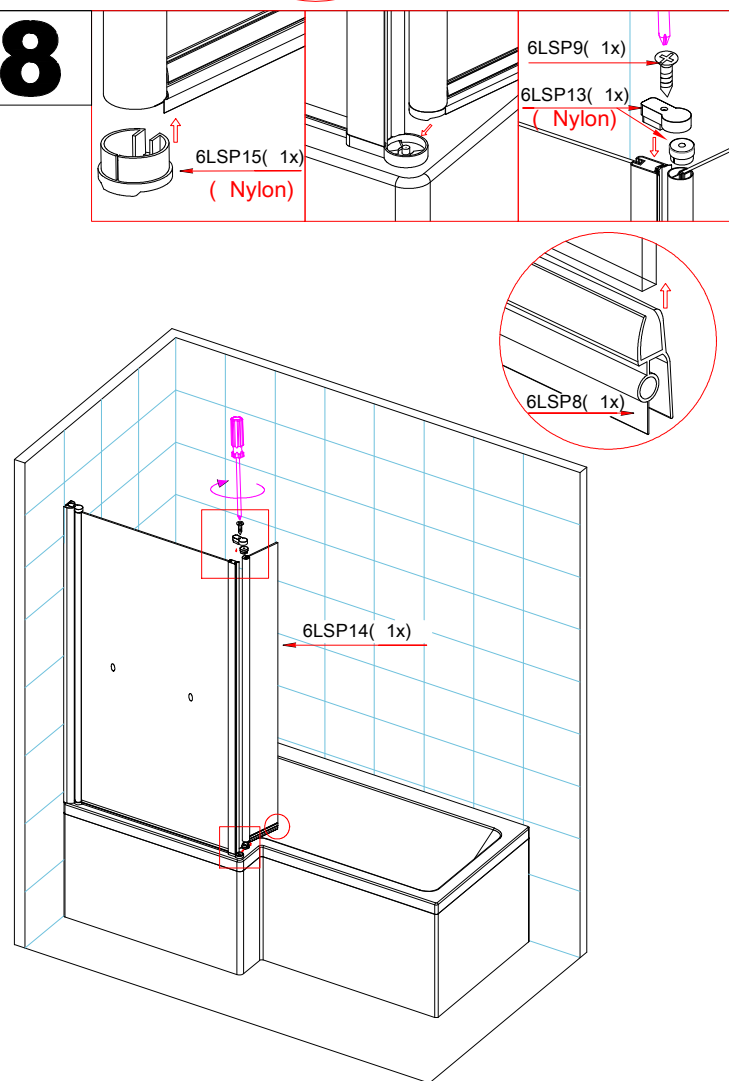
6



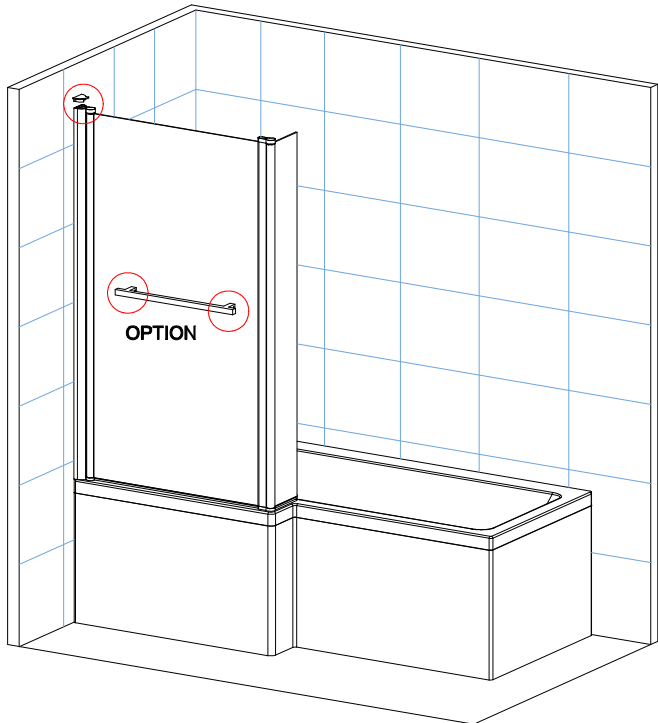
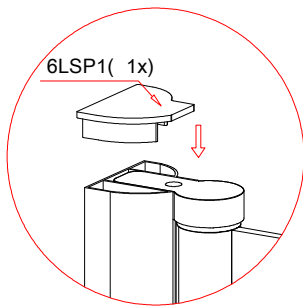
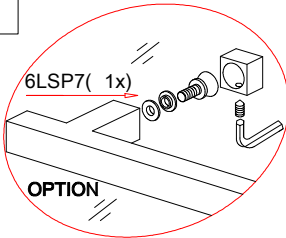
7



8

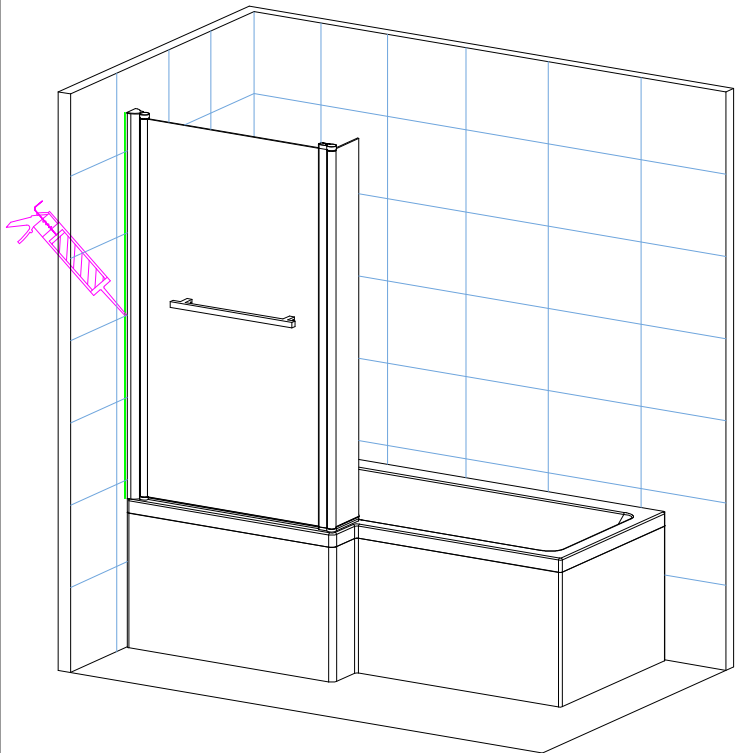


9

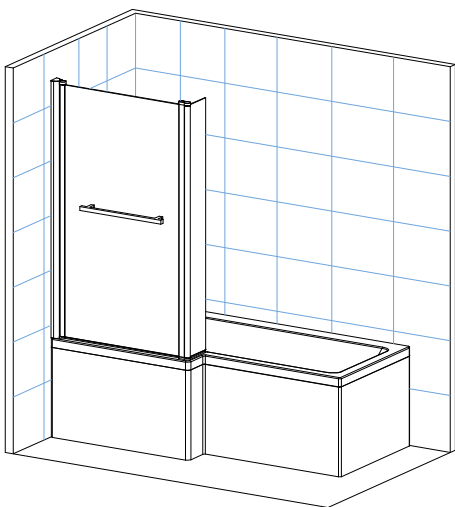


10

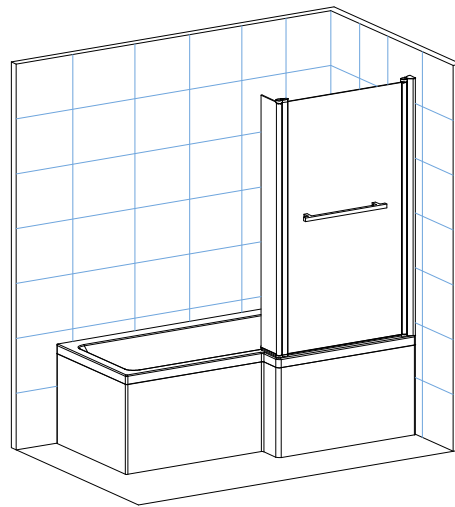
Silicone on the outside of the screen only



L/H



R/H





Eastbrook Co

Eastbrook Road
Gloucester GL4 3DB

www.eastbrooktrade.com

Cleaning and Maintenance of Shower Enclosures

Do not clean the shower enclosure with irritant detergents such as alcohol, bleach or other chemical cleaners.

Only clean with mild soapy water or a proprietary cleaner where the label advises it is suitable for the materials the enclosure is constructed from, test on a small area first.

For treating limescale we would recommend distilled vinegar in a half and half solution with water.

Following installation should you find that there is a notable noise when the glass door moves you may add a small amount of silicone lubricant onto the roller wheels and tracks, hinges or clips.

It is the responsibility of the product owner to maintain the product as recommended above. Also to check for parts which have broken or become loose to protect against future failure of the enclosure or screen.

Technical Helpline: 01452 317890

Open Mon-Fri 8am to 5pm

technical@eastbrookco.com