

TWIN SHOWER SYSTEM Installation Guide

Important Installation Considerations

1. NOTE: Some showers may not provide an effective shower when used with gravity fed heated water systems or where pressures are less than 150kPa at the outlet. Additionally showers with flow rates of less than 9L/min may not allow the following to function correctly:

- _ some instantaneous water heaters
- _ some tempering valves
- _ some thermostatic mixing valves

2. Some shower heads only operate correctly when hot and cold water supplies are both mains pressure and may not be suitable for some instantaneous hot water services.

3. When water pressure is in excess of 500kPa a pressure limiting device is required

warrants this product against manufacturing defects and that it is suitable for use under the general operating conditions specified in this instruction sheet. However, regional regulations apply and may affect your warranty.

Technical Specifications:

Operating Pressure:

Min: 150kPa/1.5bar

Max: 500kPa/5.0bar*

Optimum: 150kPa/1.5bar - 500kPa/5bar

Recommended installation of pressure limiting valve if supply exceeds 500kPa

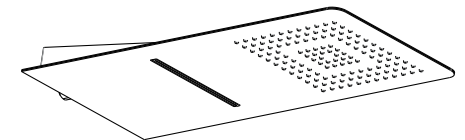
Operating Temperature:

Hot: Max 80°C*

Cold: Min 5°C

Inlet Connections:

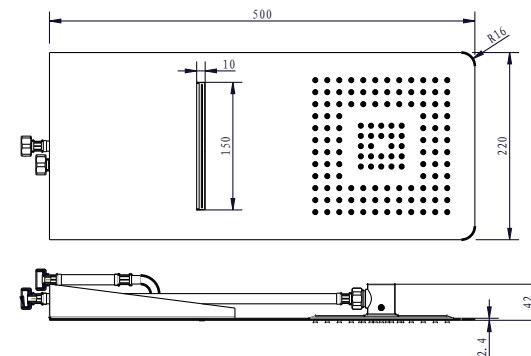
All ½" BSP



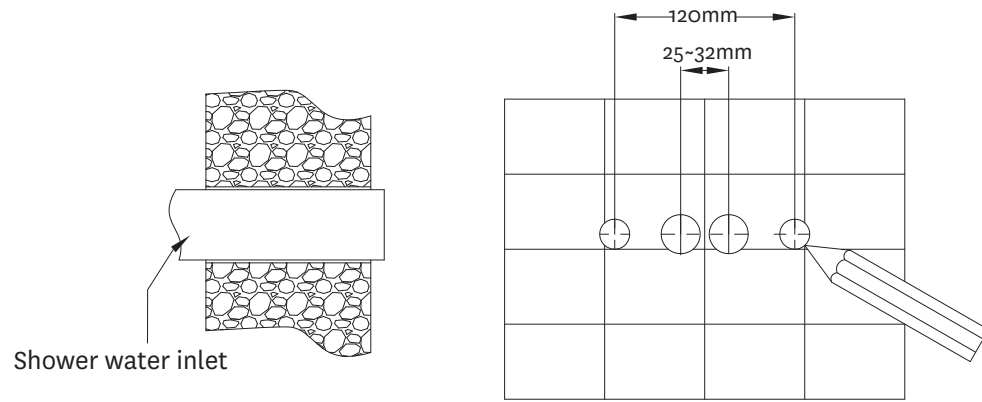
NOTE:

- After installation all connections must be checked for leaks
- All installations must be carried out in compliance with relevant water regulations*.

Technical Drawing

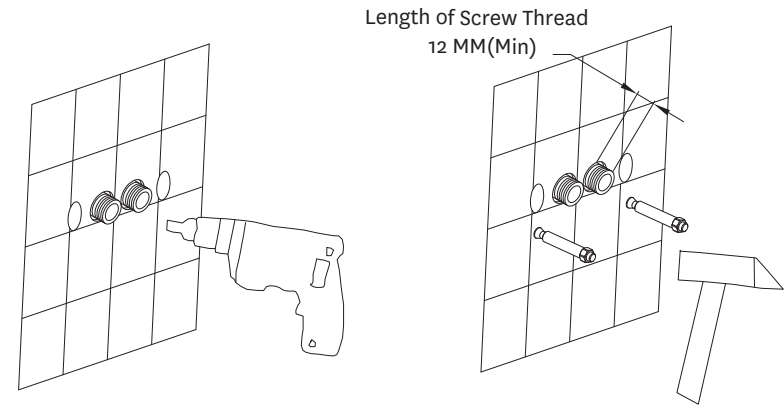


1. Install the inside box on the wall



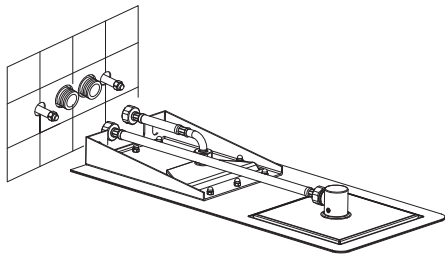
Step:
1. Please be noted the measure of expansion screw hold location and inlet water pipe size before you drill the holds for screws and water inlet.

2. Filed the hole

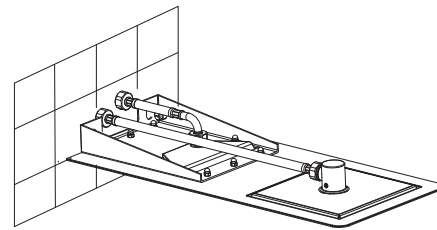


Step:
1. Please use the aiguilles the same size like expansion screw, then drill about 60 mm depth.
Please take out the screw cap and strike the expansion screw into the wall. Please be noted that the screw cannot be loose after install.

3. Install the wall mounted shower



4. Check the function of shower



Step:
1. Please install the cover plate, connect the hose to the water inlet pipe, and make sure the hose with rubber filter. Please install the screw into shower mounted and make sure all the screw locked safety.

Testing
1. please check whether the installation of the shower is horizontal. Then open the water inlet switch of the shower to see if anywhere is leaking. And see whether the effluent is vertical.:

CLEANING

Water contains lime which remains on the surface after the water has evaporated. These lime deposits can be prevented from forming by wiping immediately after use.

To clean the chrome-plated surfaces use a soft cloth, soap and warm water. Never use cleaning agents that contain a corrosive acid or a scouring additive.

