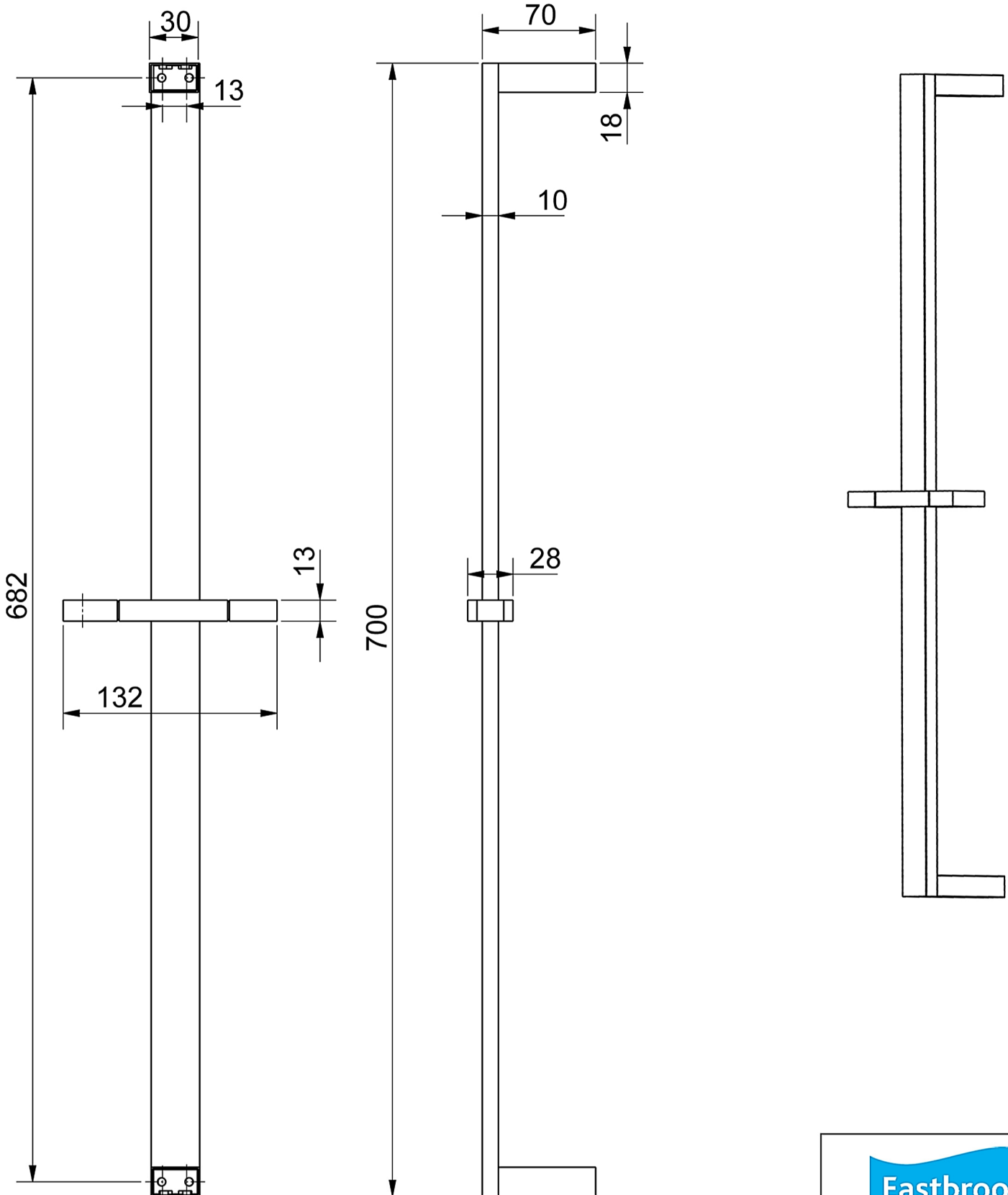


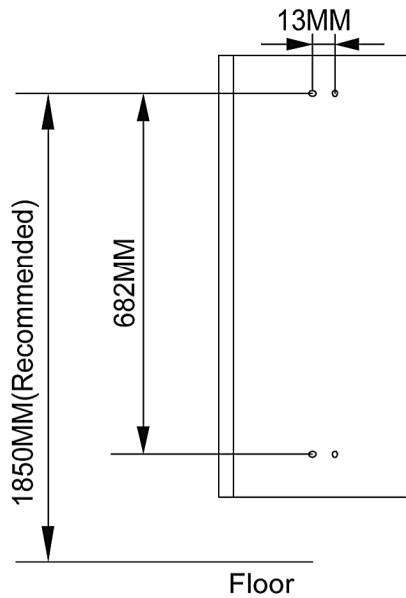
78.0018 Rectangular X Slide Rail Kit Installation Guide

Technical Drawing



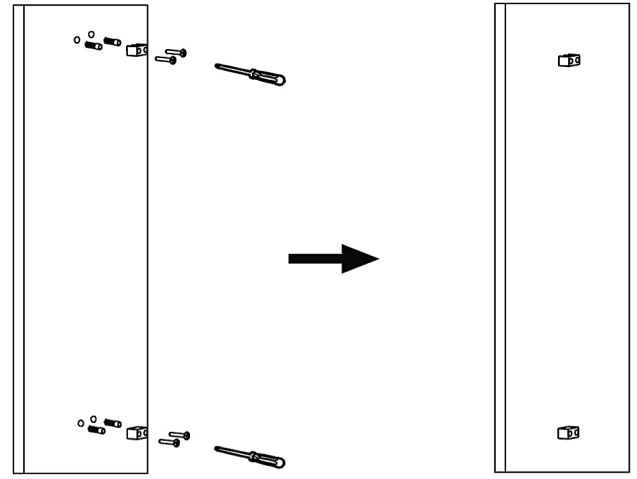
Eastbrook Road, Gloucester GL4 3DB
Technical Helpline : 01452 317890
Mon - Fri / 8am - 5pm
Email : technical@eastbrookco.com

1.



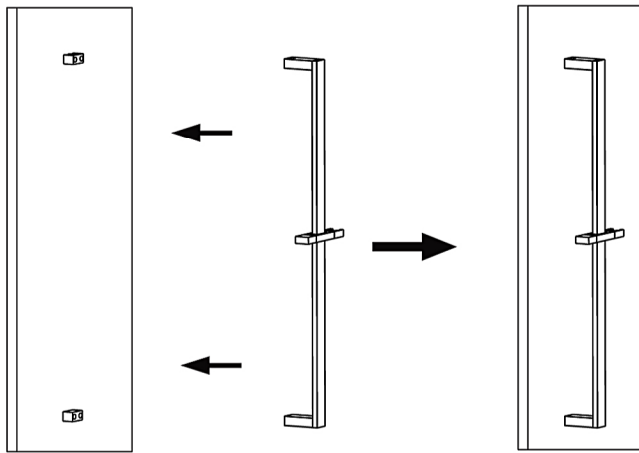
Drill a hole (size as above) in the wall. The distance is based on the products.

2.



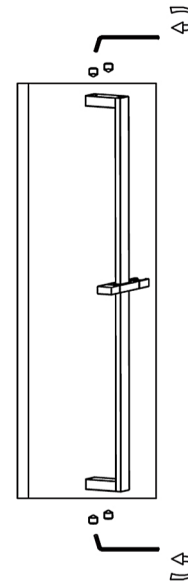
Insert wall plugs as shown and then install the Fixed Base.

3.



Fit the shower rail onto the Fixed base.

4.



Lock the screws and make the rail fix.

CLEANING:

Never use abrasives or abrasive cleaning agents to clean this product. Clean regularly with contamination free warm soapy water and a damp soft cloth.

A filter washer should be installed in the hose cone on the water outlet and it should be cleaned periodically.

If shower performance is compromised by the build-up of lime-scale, soak in distilled vinegar for up to 10 minutes. Do not use products containing chlorine bleach or hydrochloric acid as these can damage the shower. Always rinse the shower thoroughly after cleaning to remove cleaning products that can damage the shower.

Never insert objects into the spray slot or attempt to remove limescale with sharp objects or abrasives.

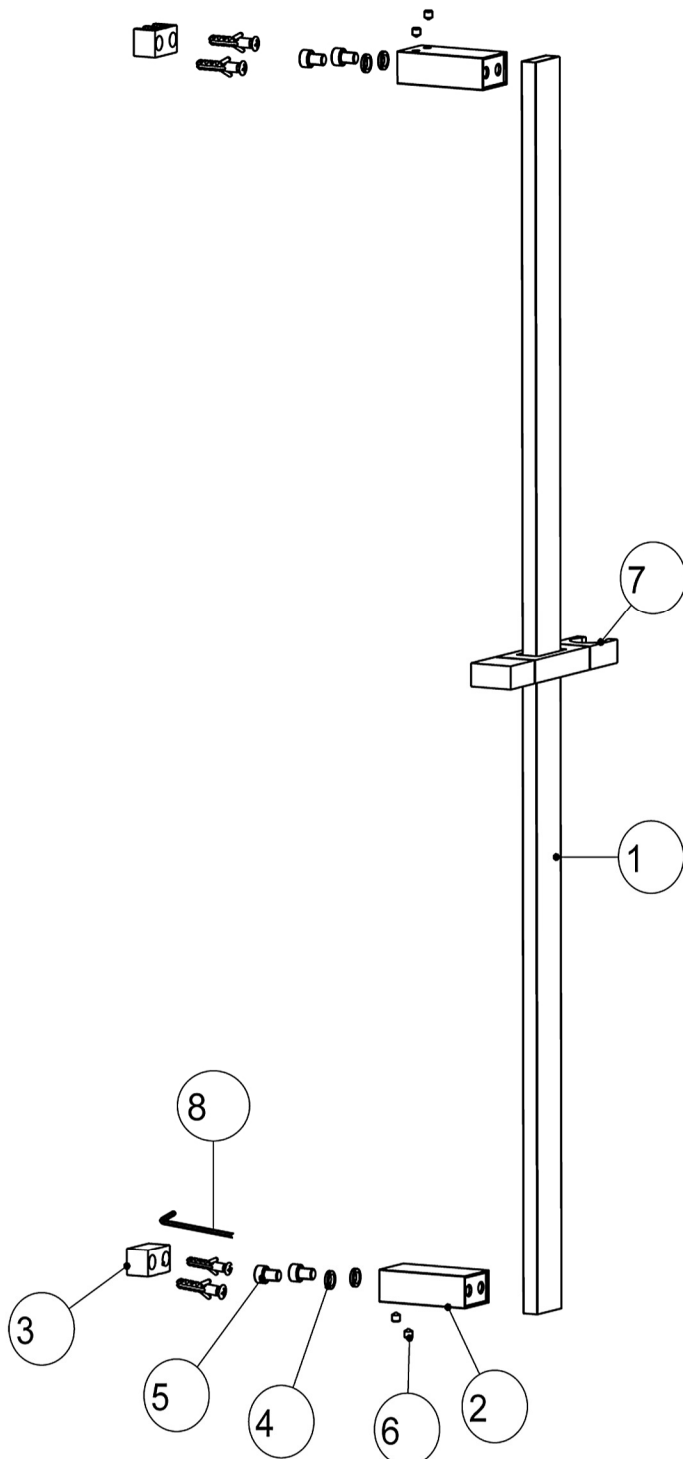


Eastbrook Road, Gloucester GL4 3DB
 Technical Helpline : 01452 317890
 Mon - Fri / 8am - 5pm
 Email : technical@eastbrookco.com

IMPORTANT: Please read all of the instructions before installation.

General:

1. This product must be installed in compliance with all relevant regional regulations.
2. It is the responsibility of the installer to ensure a waterproof seal is achieved between the product and mounting surface. If in doubt about the quality of the seal, remove the product and reinstall using silicone to ensure a seal is achieved.
3. All pipe work must be thoroughly flushed prior to the installation of the hose.
4. After installation all connections must be checked for leaks.
5. All outlets used primarily for personal hygiene shall deliver water at a safe temperature as per regional regulations.



8	Part	1
7	Shower holder	1
6	screw	4
5	screw	4
4	Filter	4
3	Fixed base part	2
2	Fixed base	2
1	Rail	1
NO.	Part Name	Qty



Eastbrook Road, Gloucester GL4 3DB
 Technical Helpline : 01452 317890
 Mon - Fri / 8am - 5pm
 Email : technical@eastbrookco.com