

## DATASHEET

### Image



### General Information

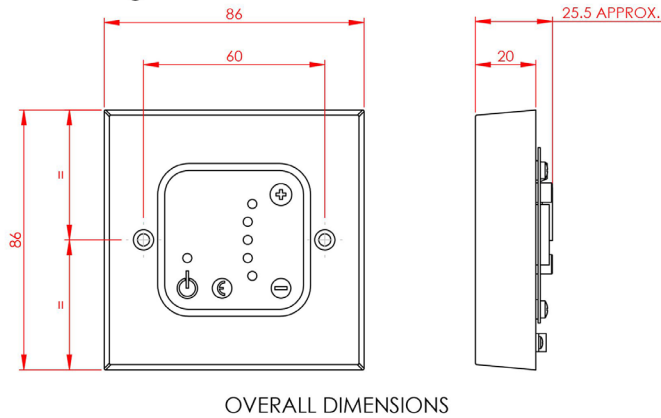
Product:	67.0014
Description:	Crafton II Temperature Control Panel
Website Link:	<a href="#">(Click Here)</a>
Product Type:	Heating Element
Brand:	Eastbrook Company
Colour:	Brass Effect
Net Weight (kg):	0.03kg
Product Range:	Crafton II

### Product Specifications

Warranty:	1 Year(s)
-----------	-----------

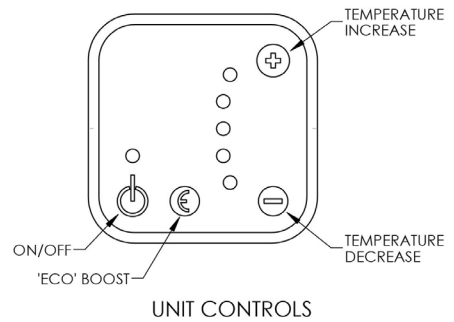
## Drawing

### Crafton II Temperature Control Panel Technical Drawing



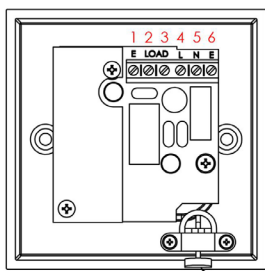
OVERALL DIMENSIONS

**SAFETY PRECAUTIONS:**  
 THIS PRODUCT SHOULD BE FITTED BY A COMPETENT PERSON WHO CAN ENSURE COMPLIANCE WITH IEE, PART P AND LOCAL AUTHORITY REGULATIONS. ENSURE THE MAINS ELECTRICAL CIRCUIT AND THE FUSED SPUR UNIT ARE BOTH ISOLATED BEFORE FITTING. THIS UNIT SHOULD NOT BE FITTED IN IEE BATHROOM ZONE 1.



UNIT CONTROLS

**WIRING INSTRUCTIONS:**  
 A FUSED SPUR IS REQUIRED IN THE SUPPLY CIRCUIT TO THE CONTROLLER, FITTED WITH THE CORRECT SIZE FUSE. THE 2 x E & 2 x N TERMINALS LINKED ON THE PRINTED CIRCUIT BOARD



WIRING DETAILS

TERMINAL	WIRE
ELECTRICAL ELEMENT WIRES (OUT)	
1	GREEN/YELLOW EARTH
2	BLUE NEUTRAL
3	BROWN LIVE
MAINS CABLE WIRES (IN)	
4	BROWN LIVE
5	BLUE NEUTRAL
6	GREEN/YELLOW EARTH

**VERY IMPORTANT - THIS UNIT MUST BE EARTHED**

**TECHNICAL DATA:**  
 INGRESS PROTECTION: IPX4.  
 VOLTAGE: 230-245 VAC.  
 MAXIMUM POWER OUTPUT: 1000w.  
 APPROVALS: CE, TESTED TO EN55014-1:2006

**Eastbrook**  
 Eastbrook Road, Gloucester GL4 3DB  
 Technical Helpline : 01452 317890  
 Mon - Fri / 8am - 5pm  
 Email : technical@eastbrookco.com