

## DATASHEET

### Image



### General Information

Product:	41.3019
Description:	Corner Radiator Valves (pair)
Website Link:	<a href="#">(Click Here)</a>
Product Type:	Radiator Valve
Brand:	Eastbrook Company
Colour:	Matt Black
Material:	Brass
Net Weight (kg):	0.6kg
Product Range:	Radiator Valves

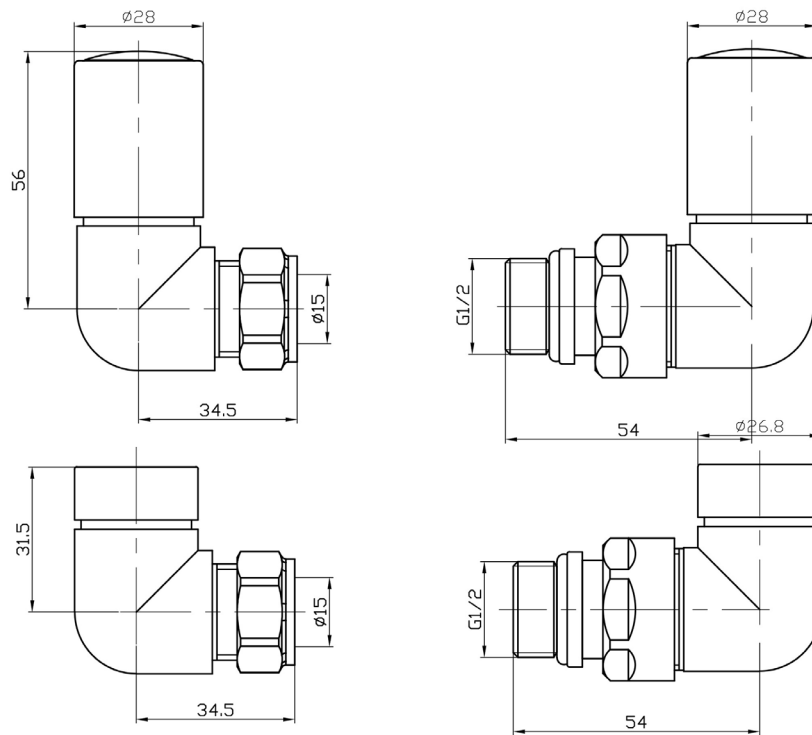
### Product Specifications

Warranty:	2 Year(s)
Valve Types:	Corner

## Drawing

### Eastbrook

Round Corner Radiator Valves (pair)  
Technical Drawing



41.3006  
41.0611  
41.3017  
41.3018  
41.3019  
12.018  
12.071  
12.074  
12.083

**Eastbrook**   
Eastbrook Road, Gloucester GL4 3DB  
Technical Helpline : 01452 317890  
Mon - Fri / 8am - 5pm  
Email : [technical@eastbrookco.com](mailto:technical@eastbrookco.com)