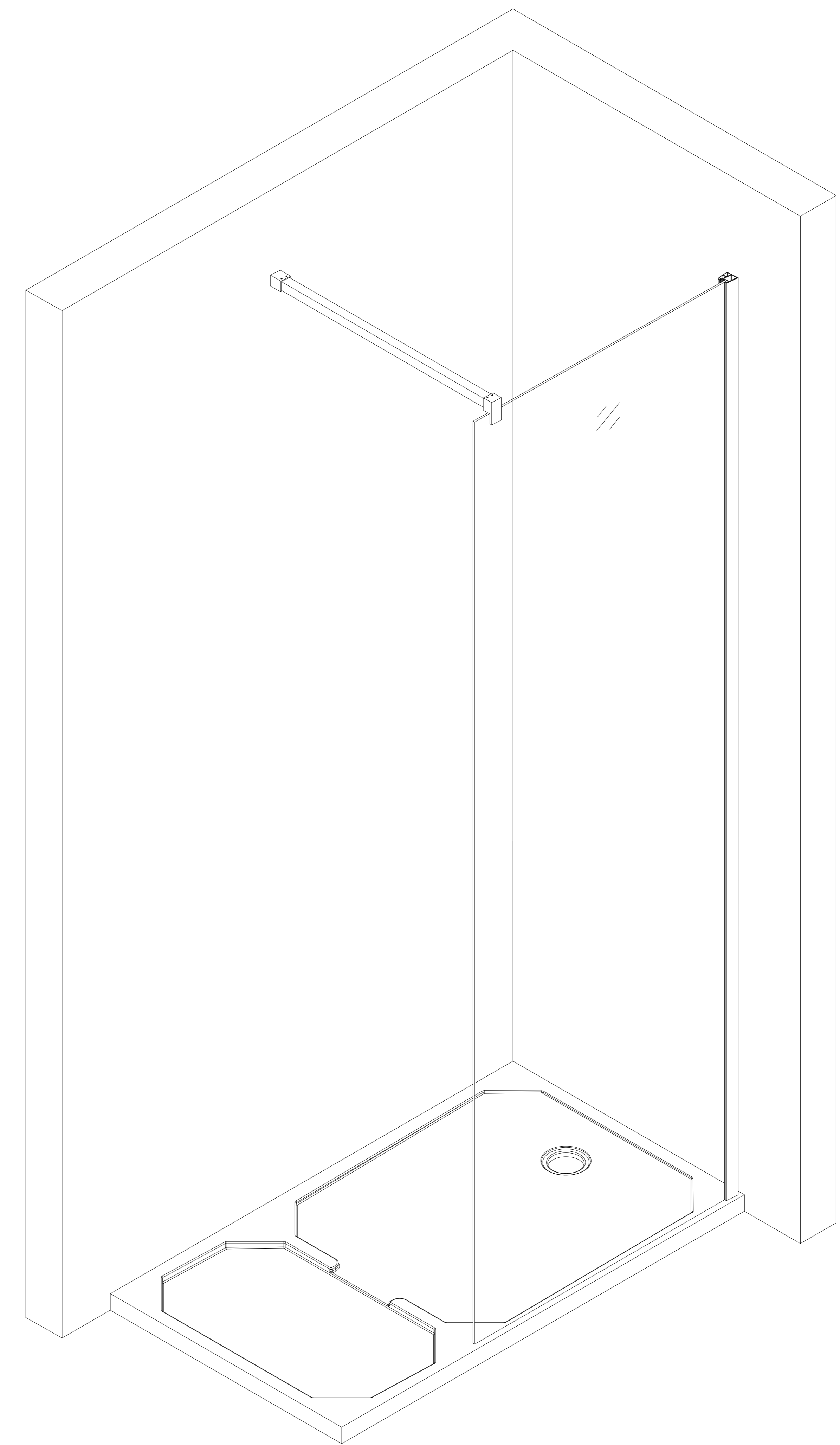
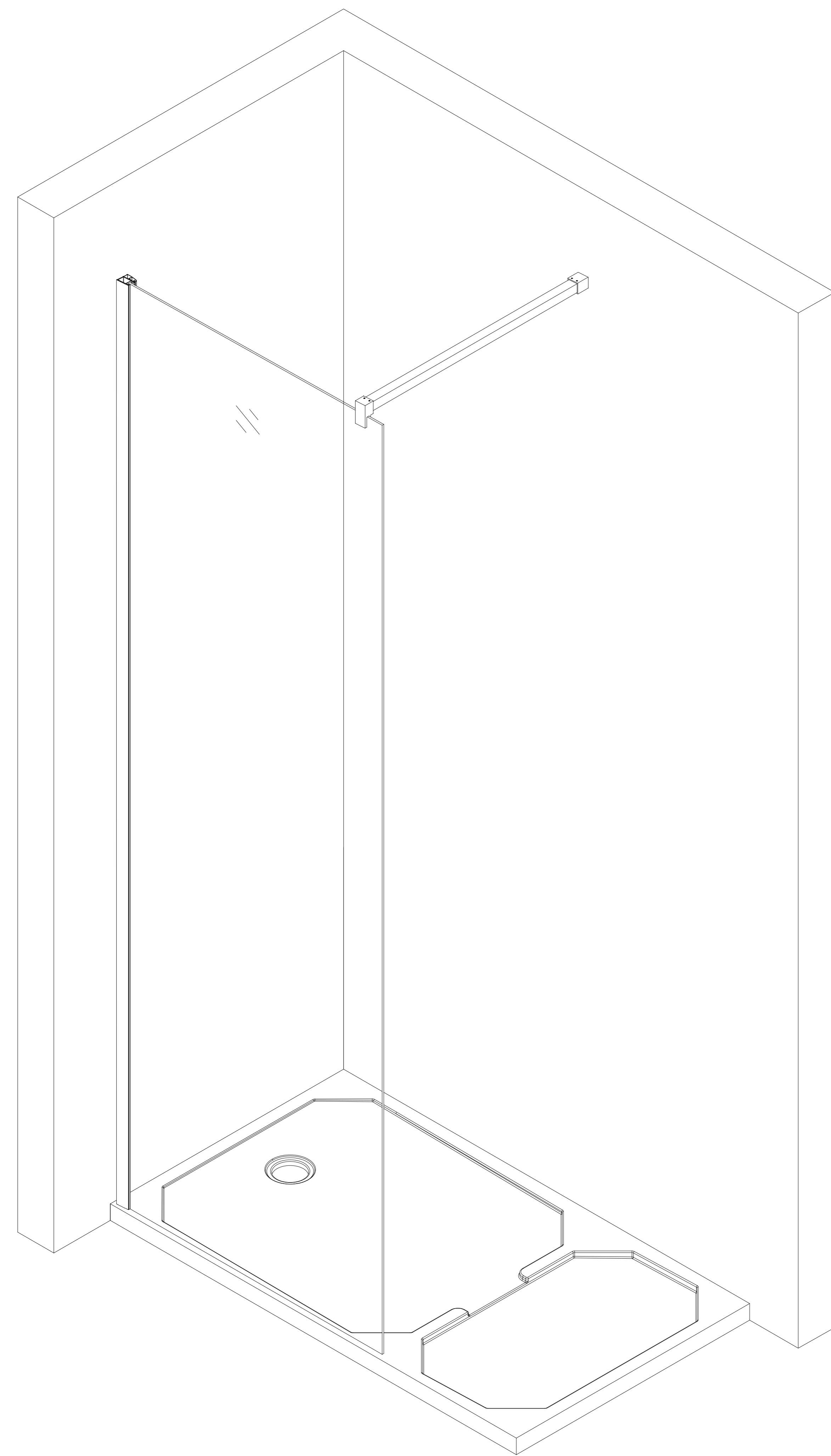
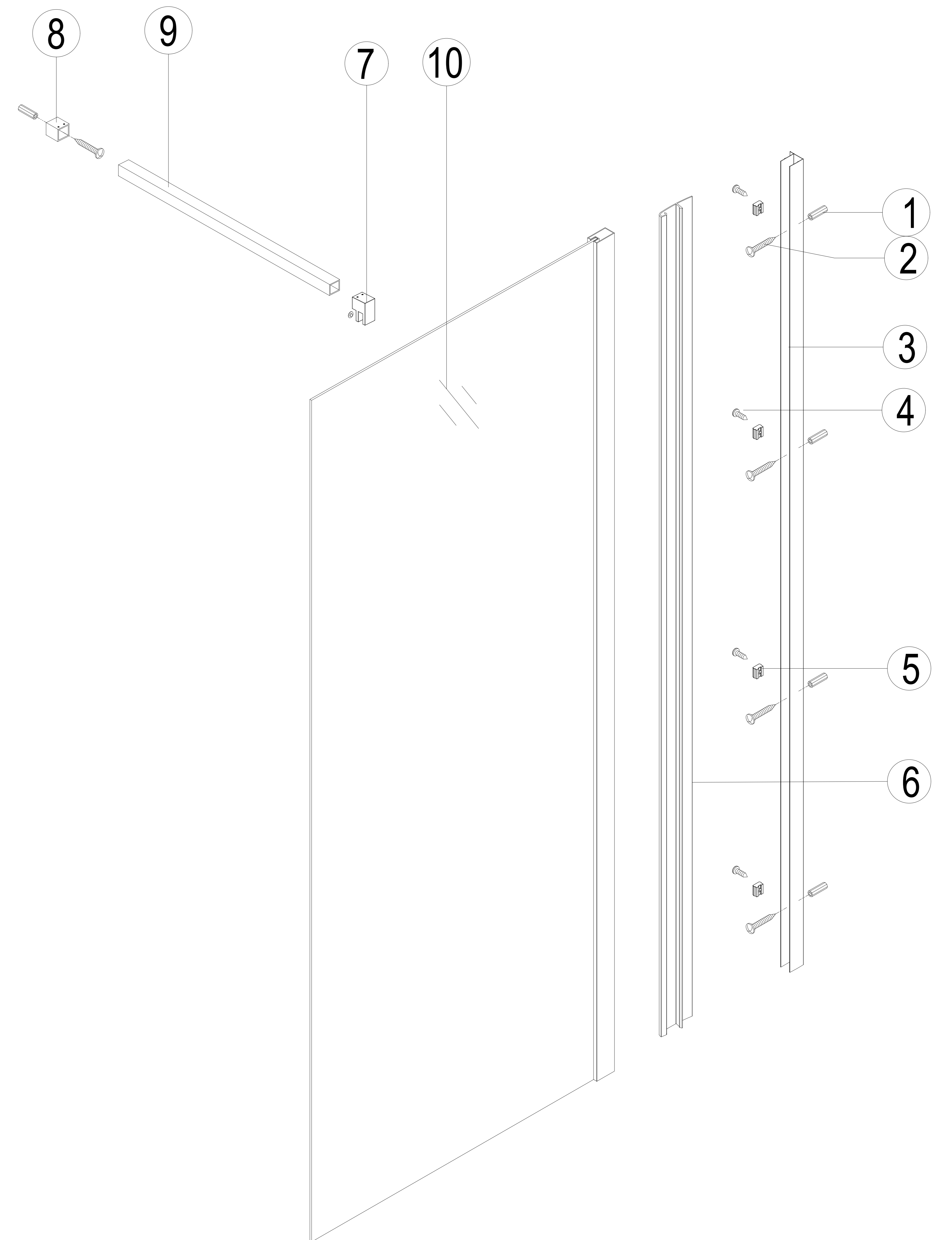
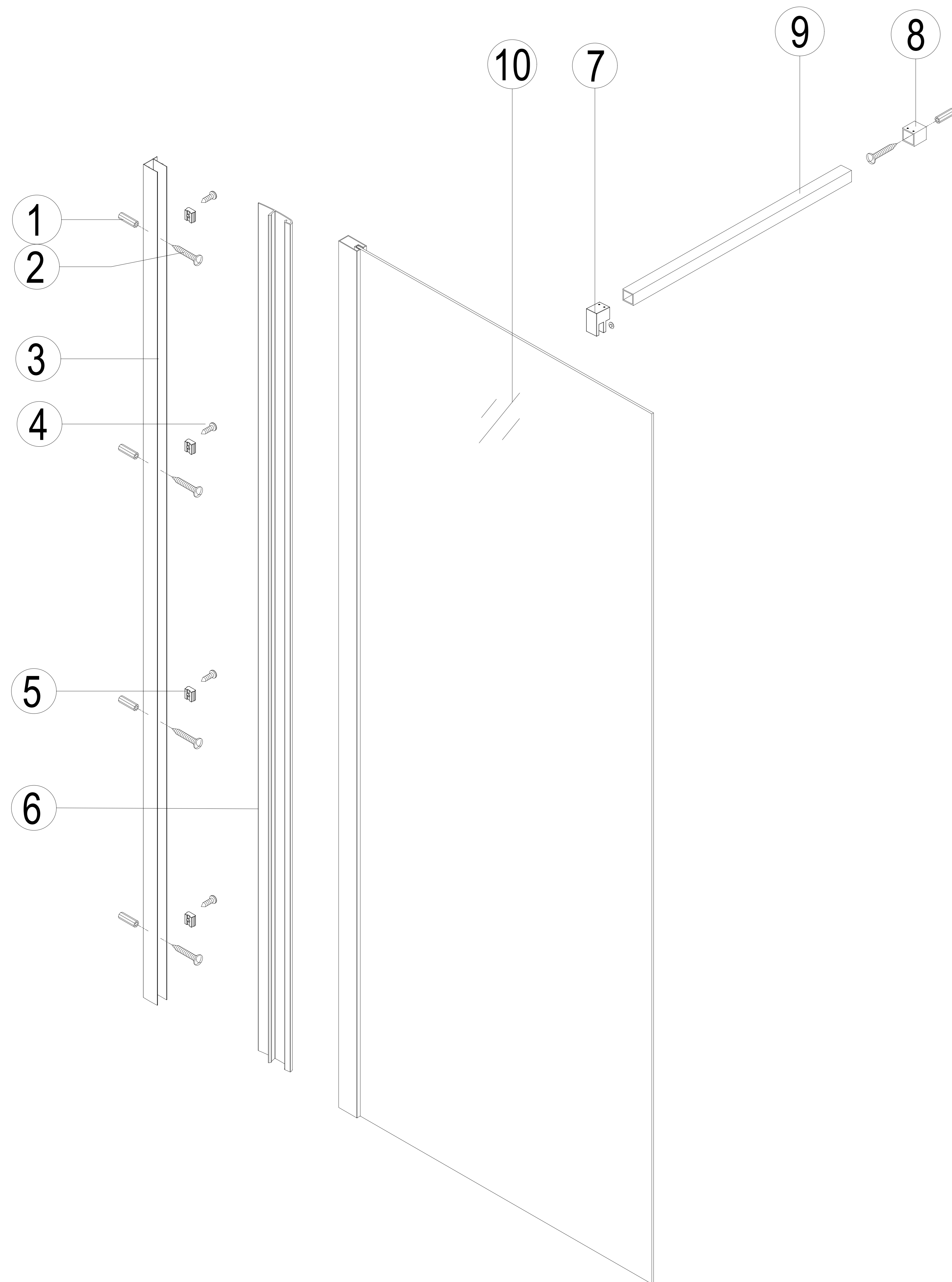


49. 1111/49. 1112/49. 1113/49. 1114/49. 1115/
49. 1116/49. 1117/49. 1118/49. 1119/49. 1121/49. 1122

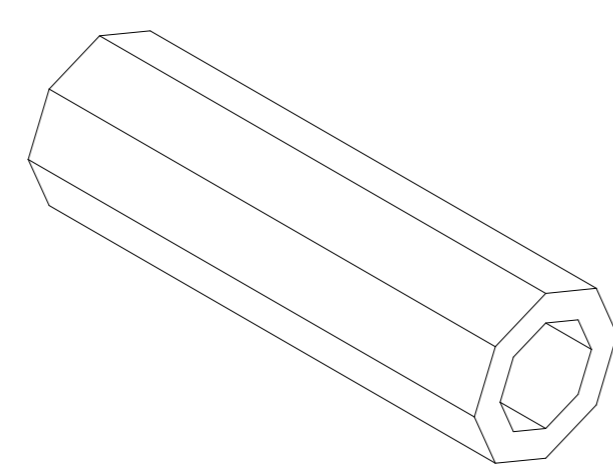




Walkin panel

1

Ø6x30

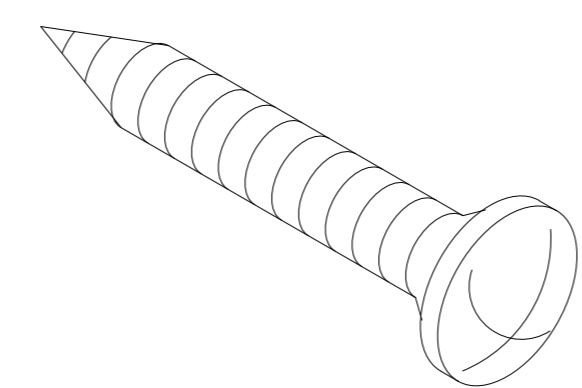


D6x30

5Pcs

2

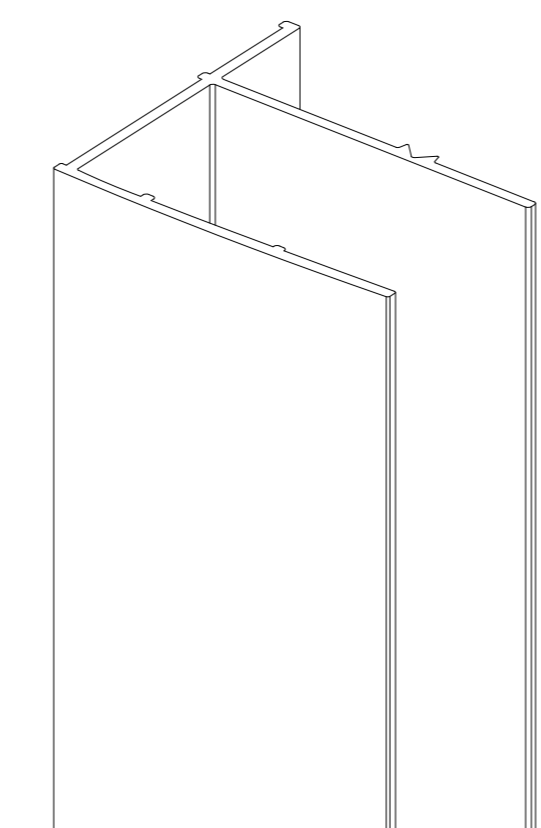
ST4x30



ST4x30

5Pcs

3

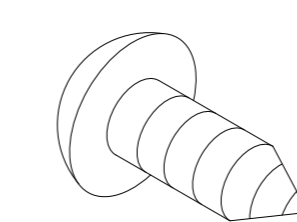


JRSF-W01

1Pc

4

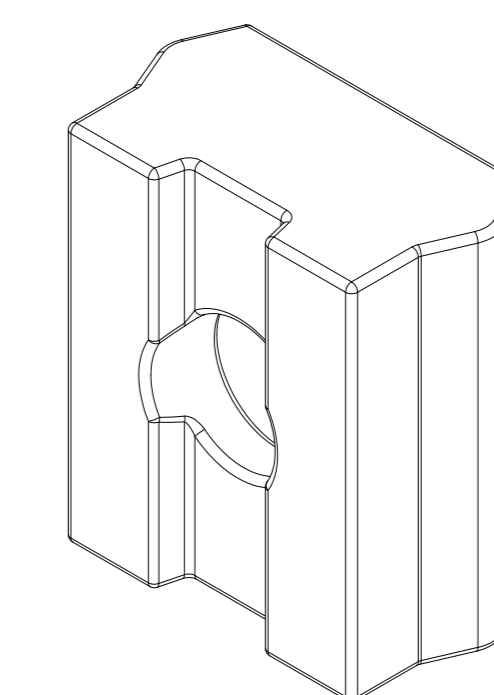
ST4x12



ST4x12

4Pcs

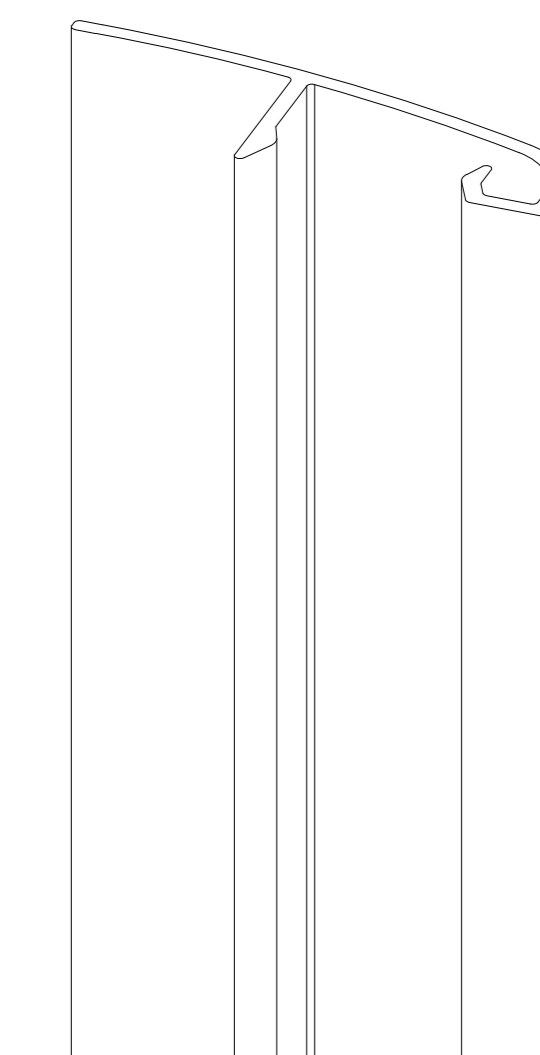
5



JRF-6Y01

4Pcs

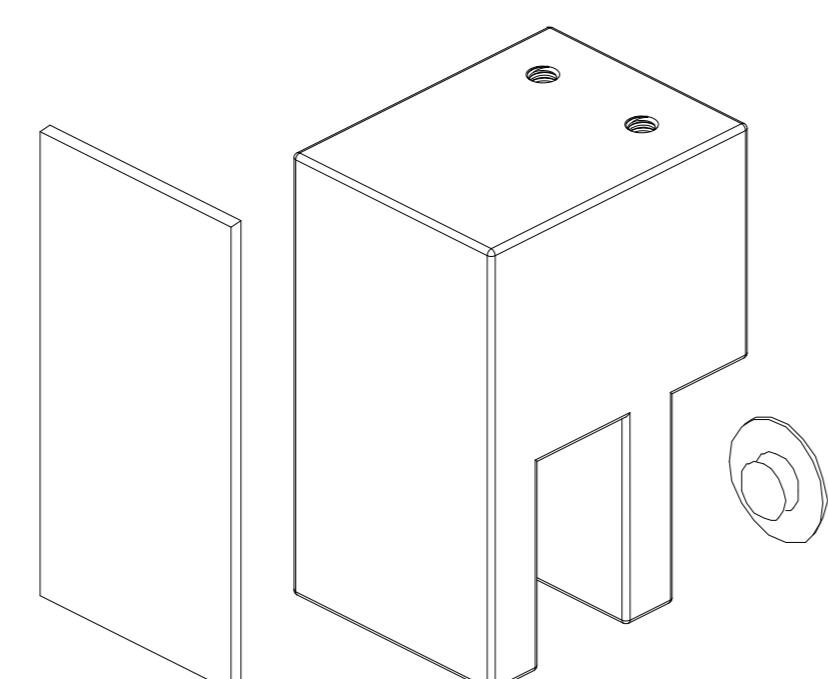
6



JRSF-W02

1Pcs

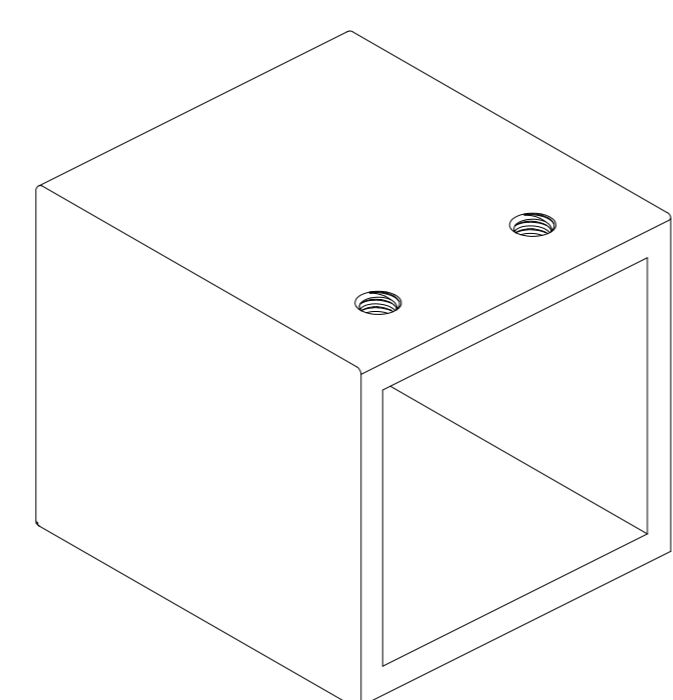
7



JRSF-X02-6

1Pc

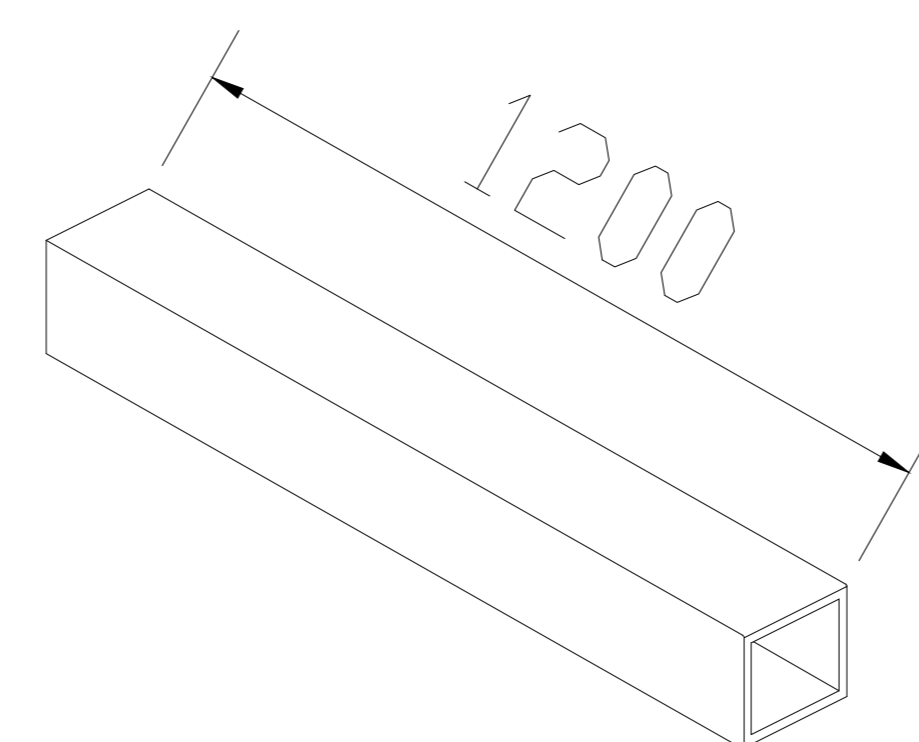
8



JRSF-X01

1Pc

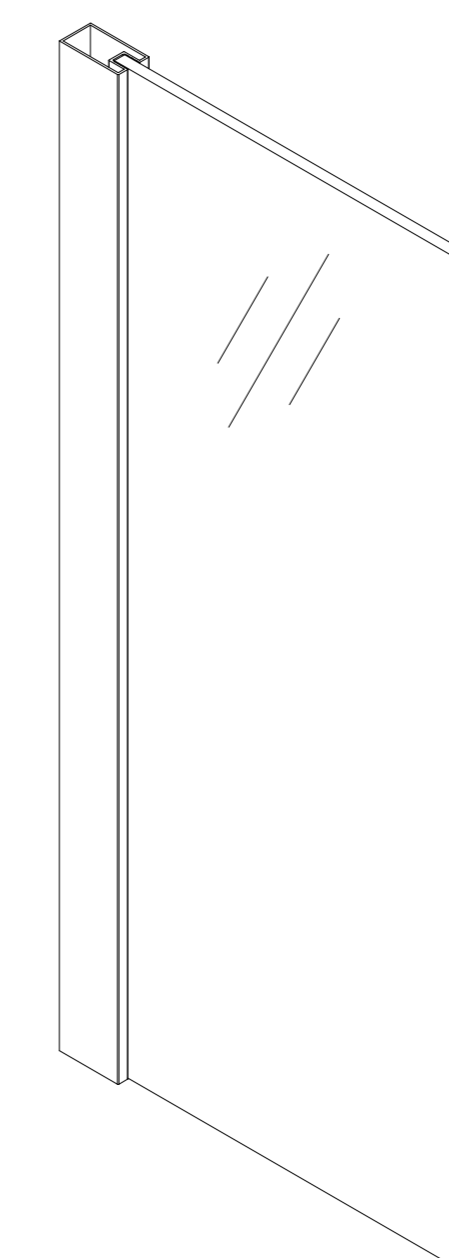
9



JRSF005F-X01

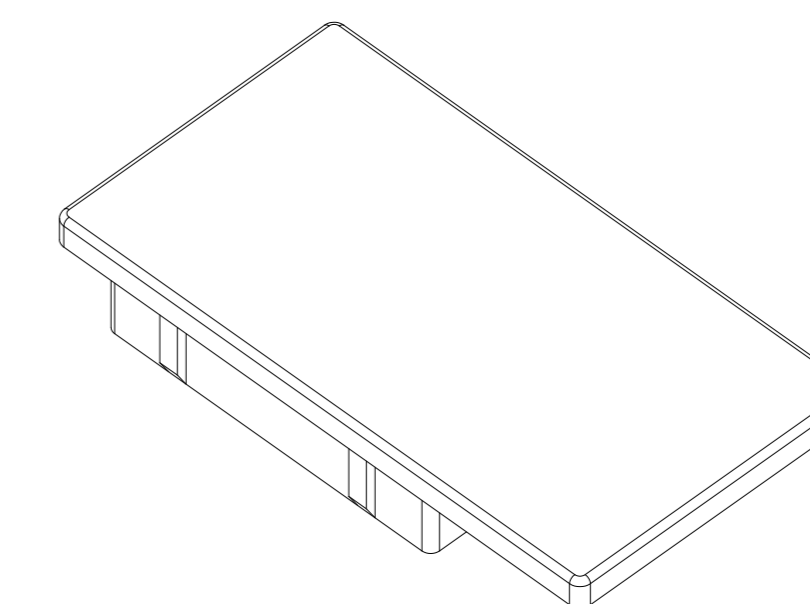
1Pc

10



1Pc

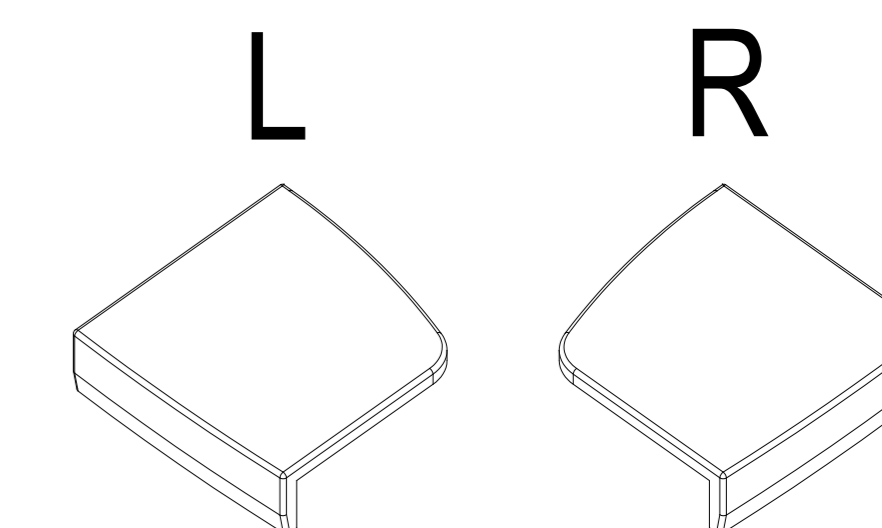
11



BWE-S03

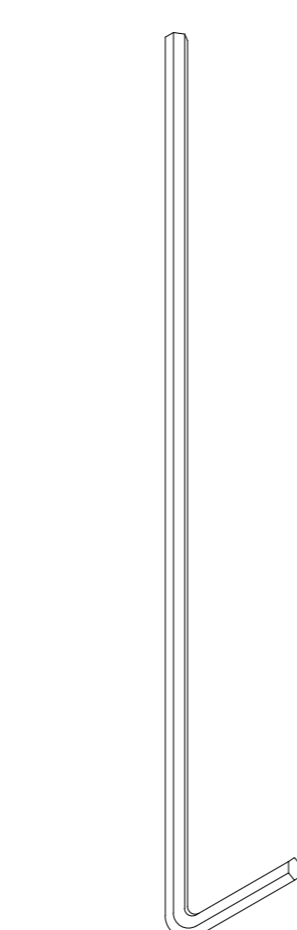
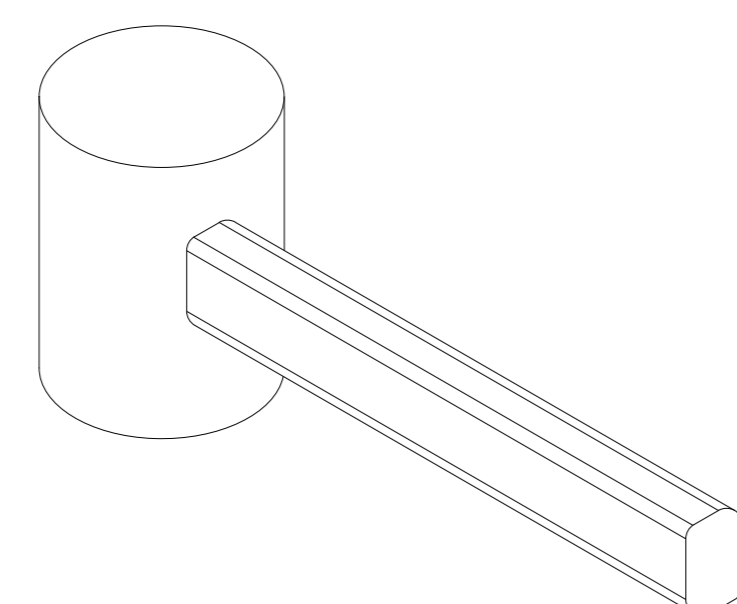
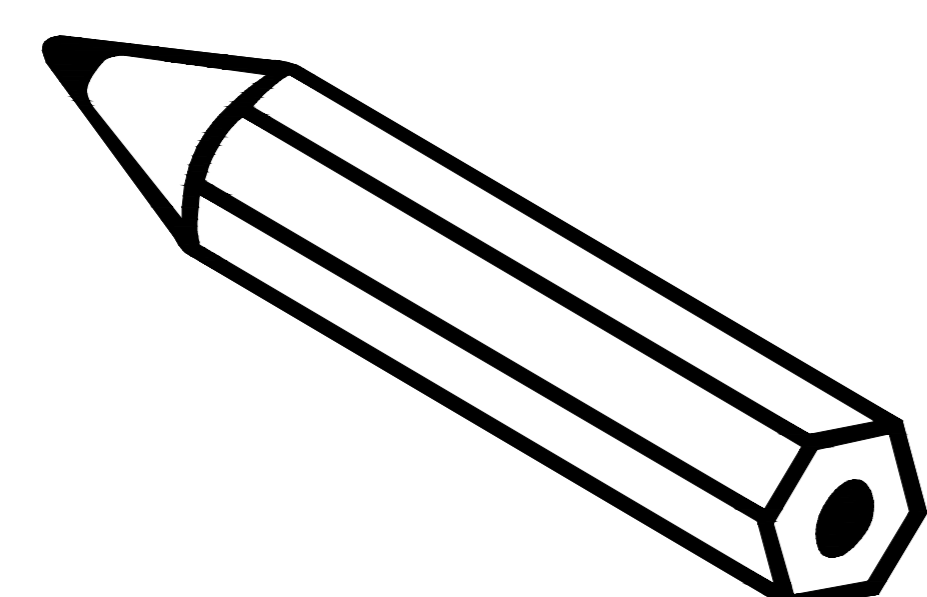
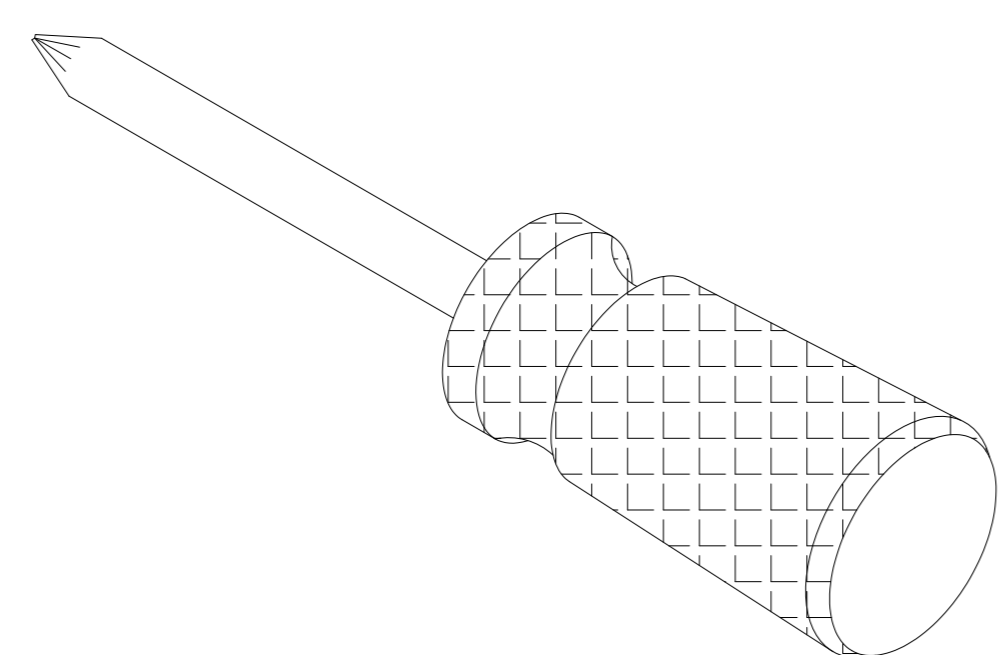
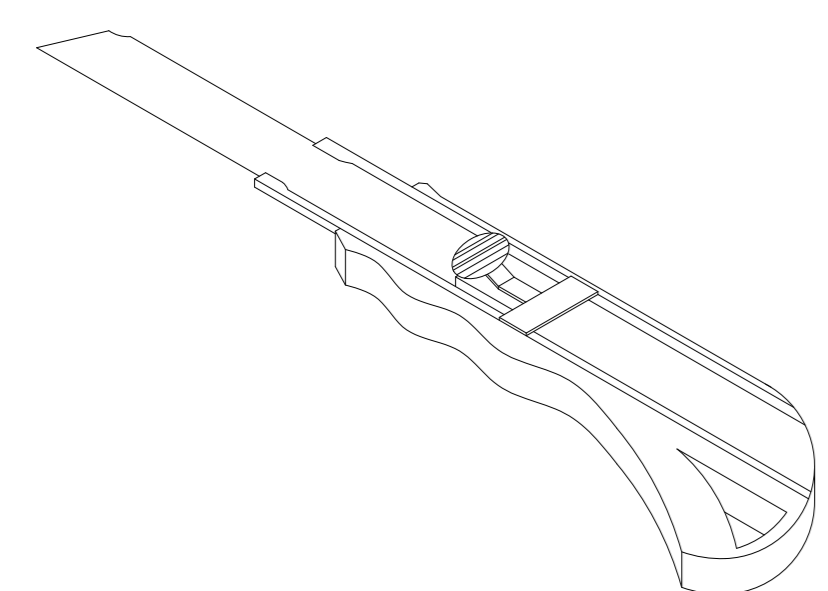
1Pc

12

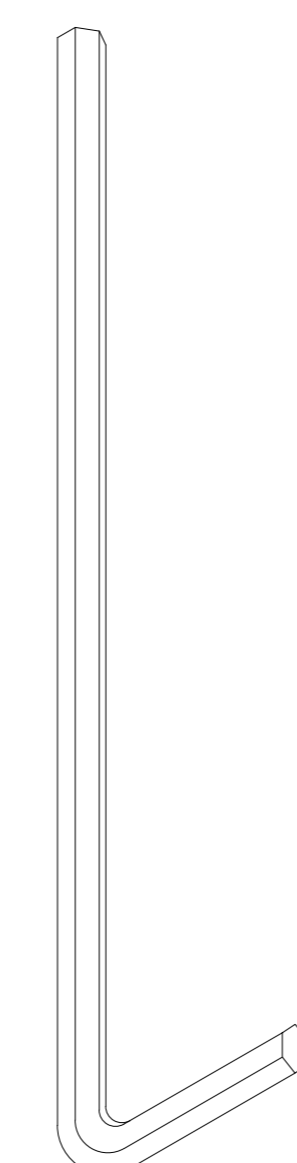


BWE-S01

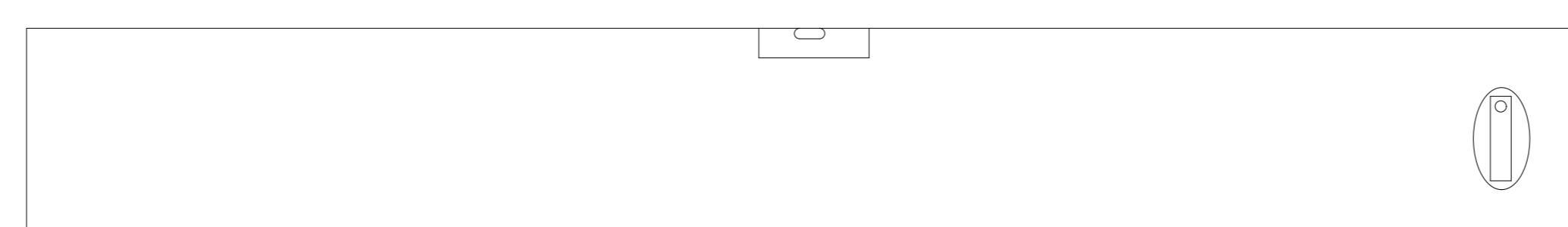
2Pc



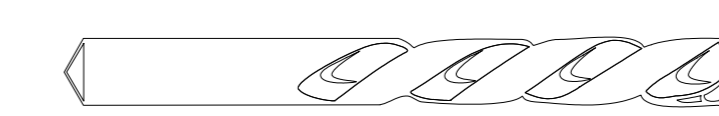
2.5 mm



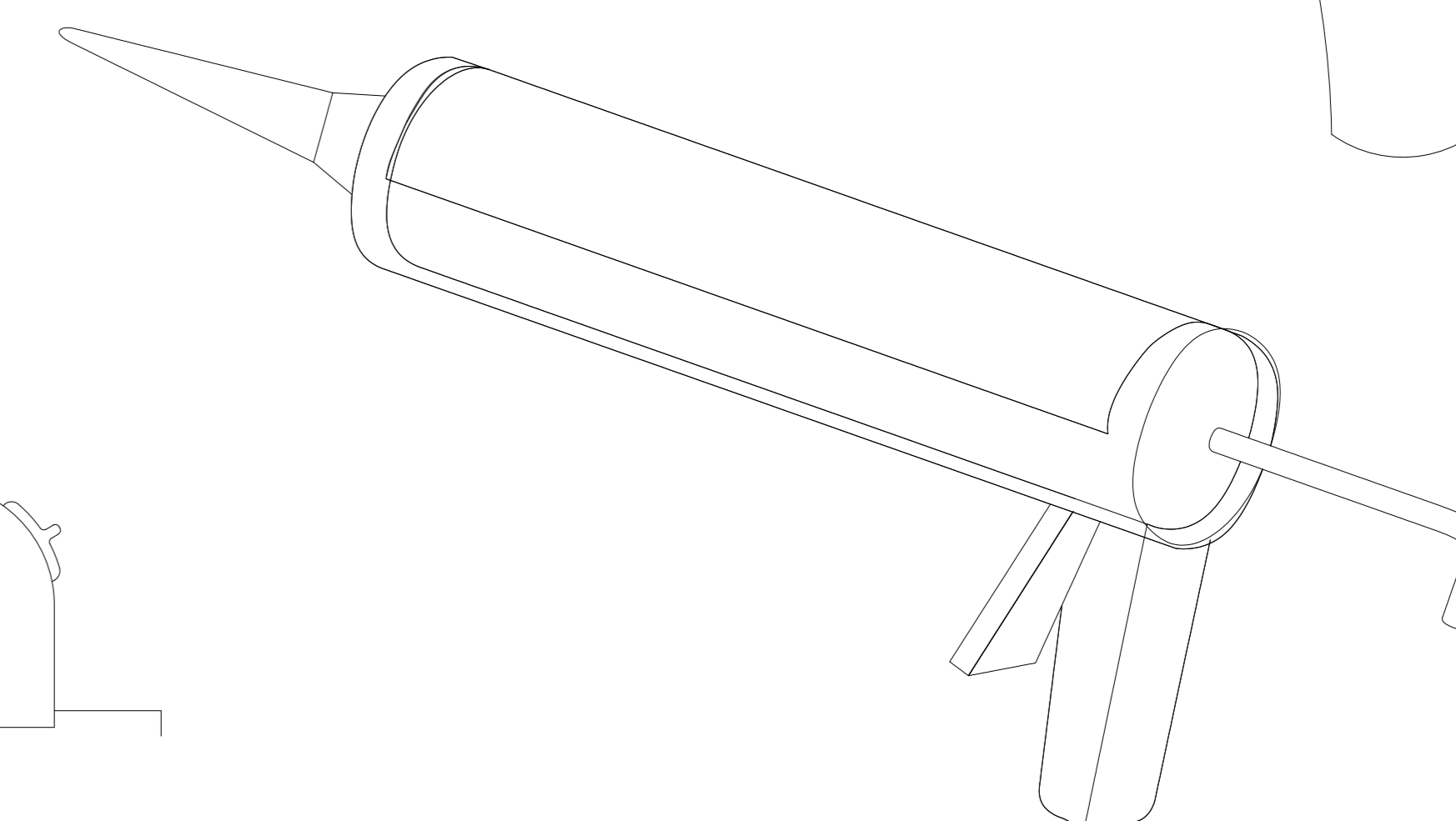
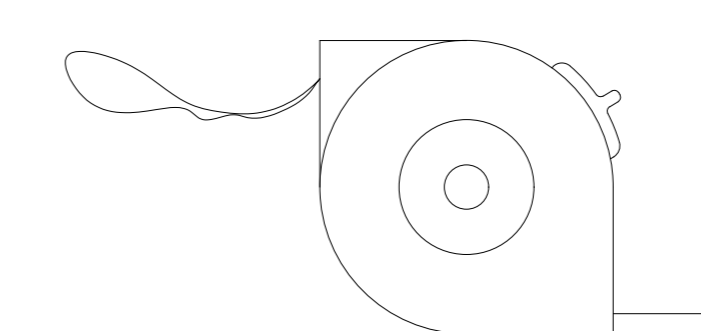
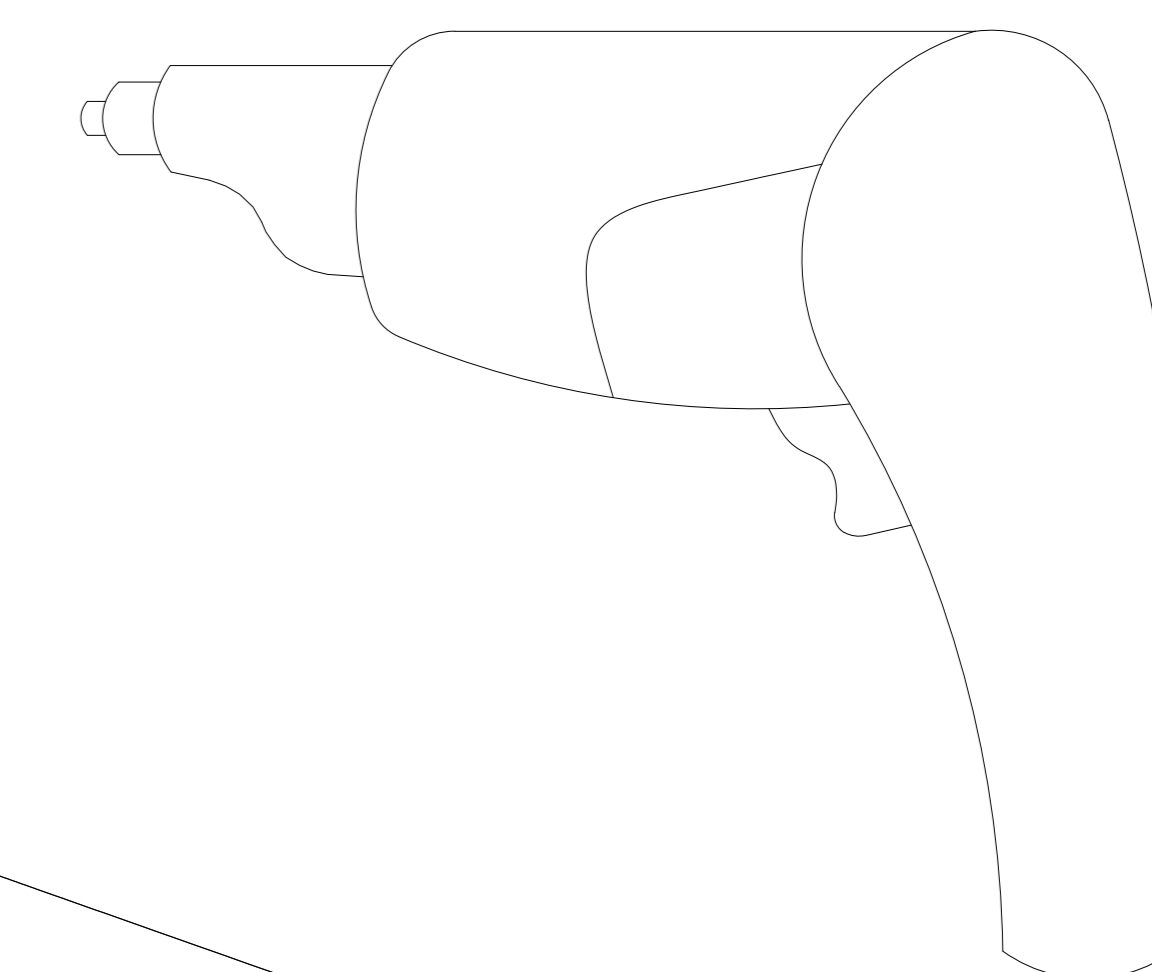
4 mm



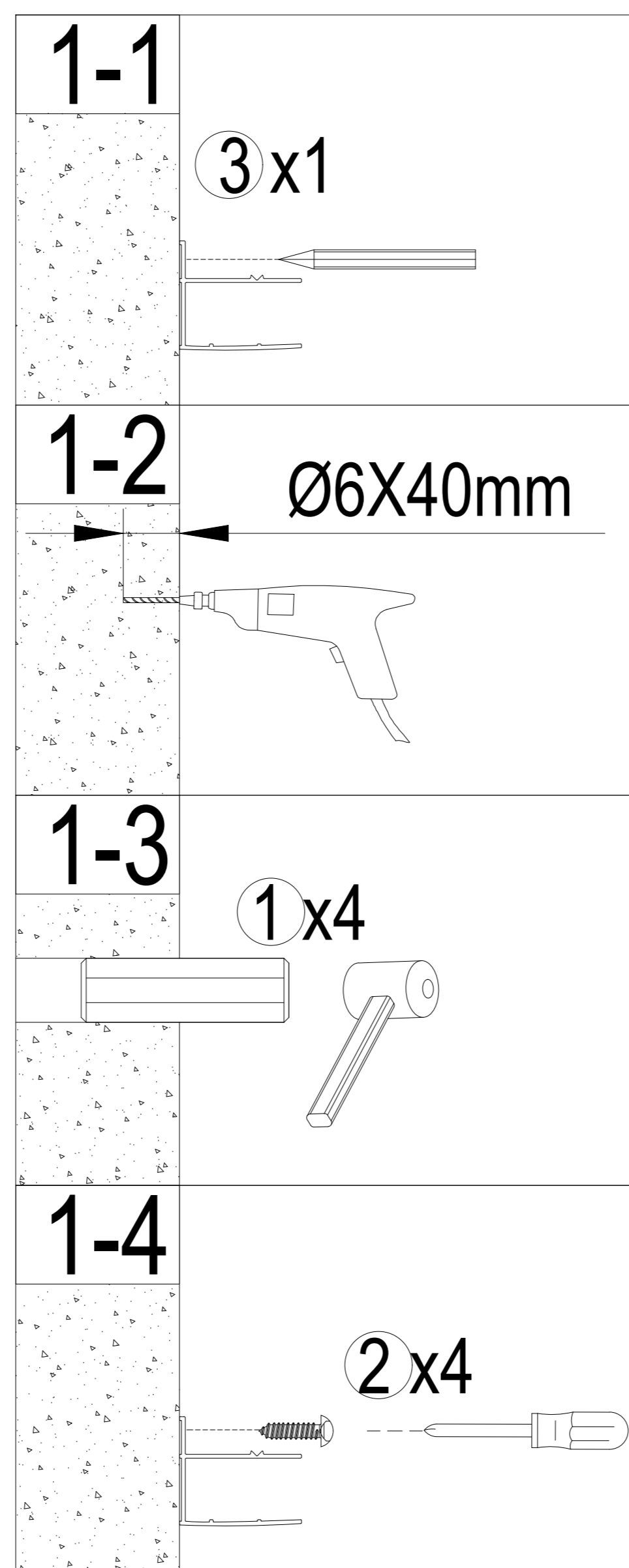
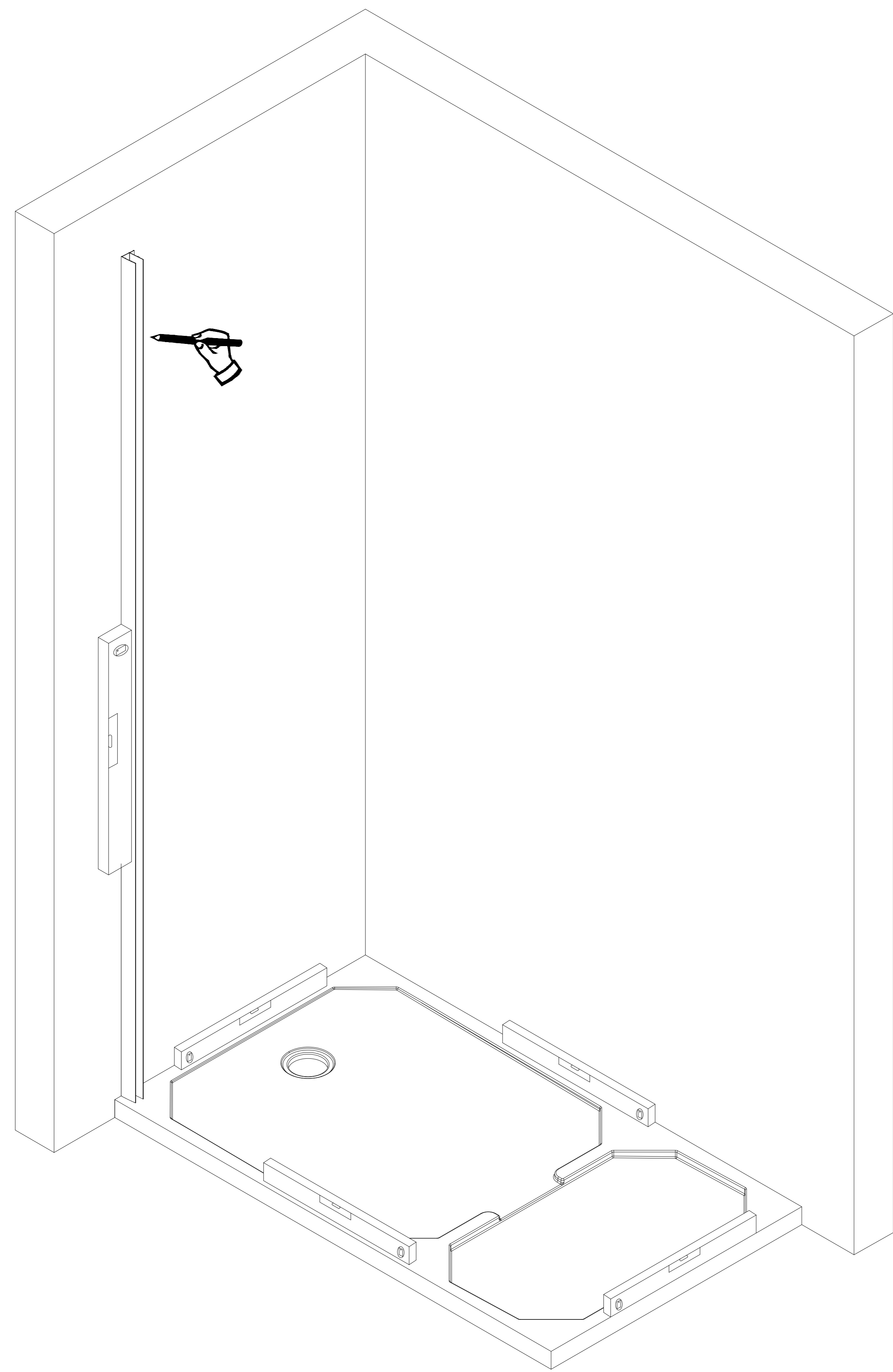
Ø6mm



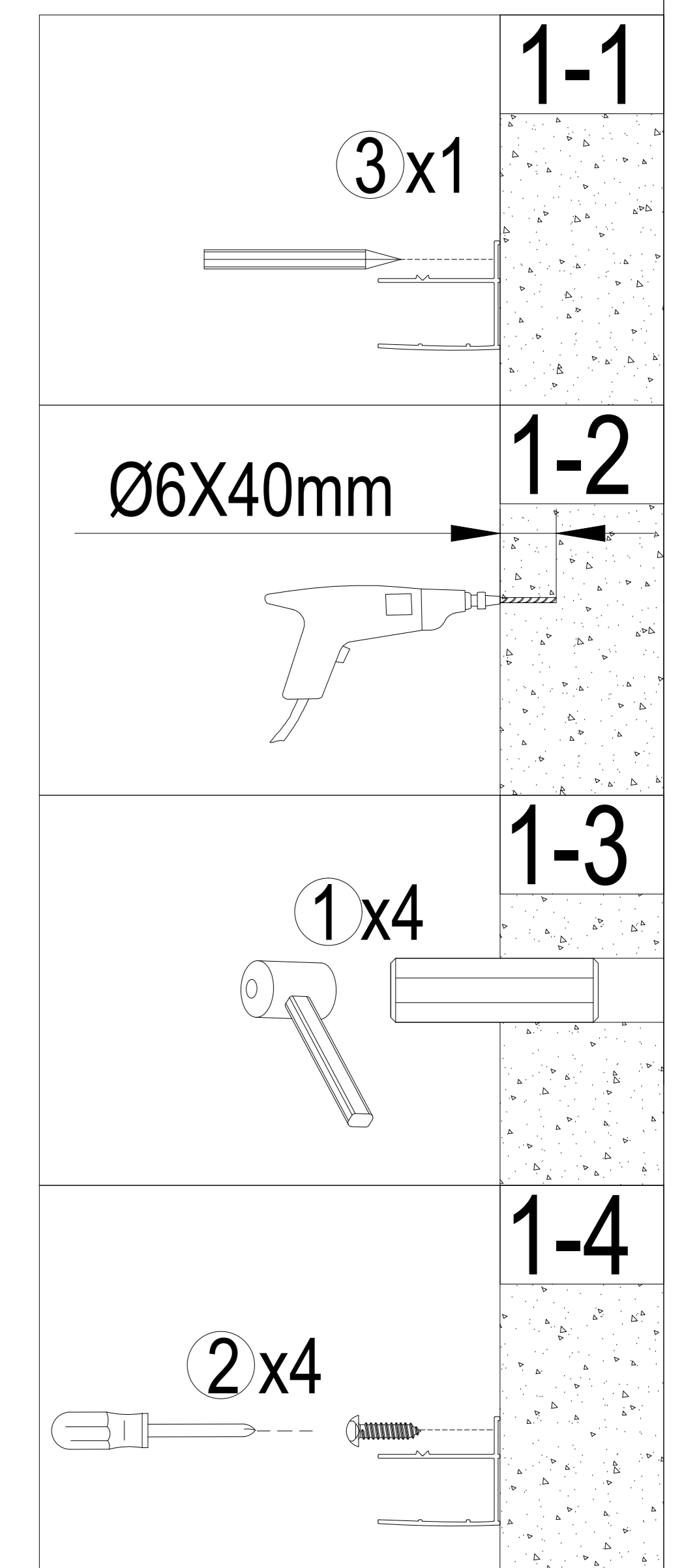
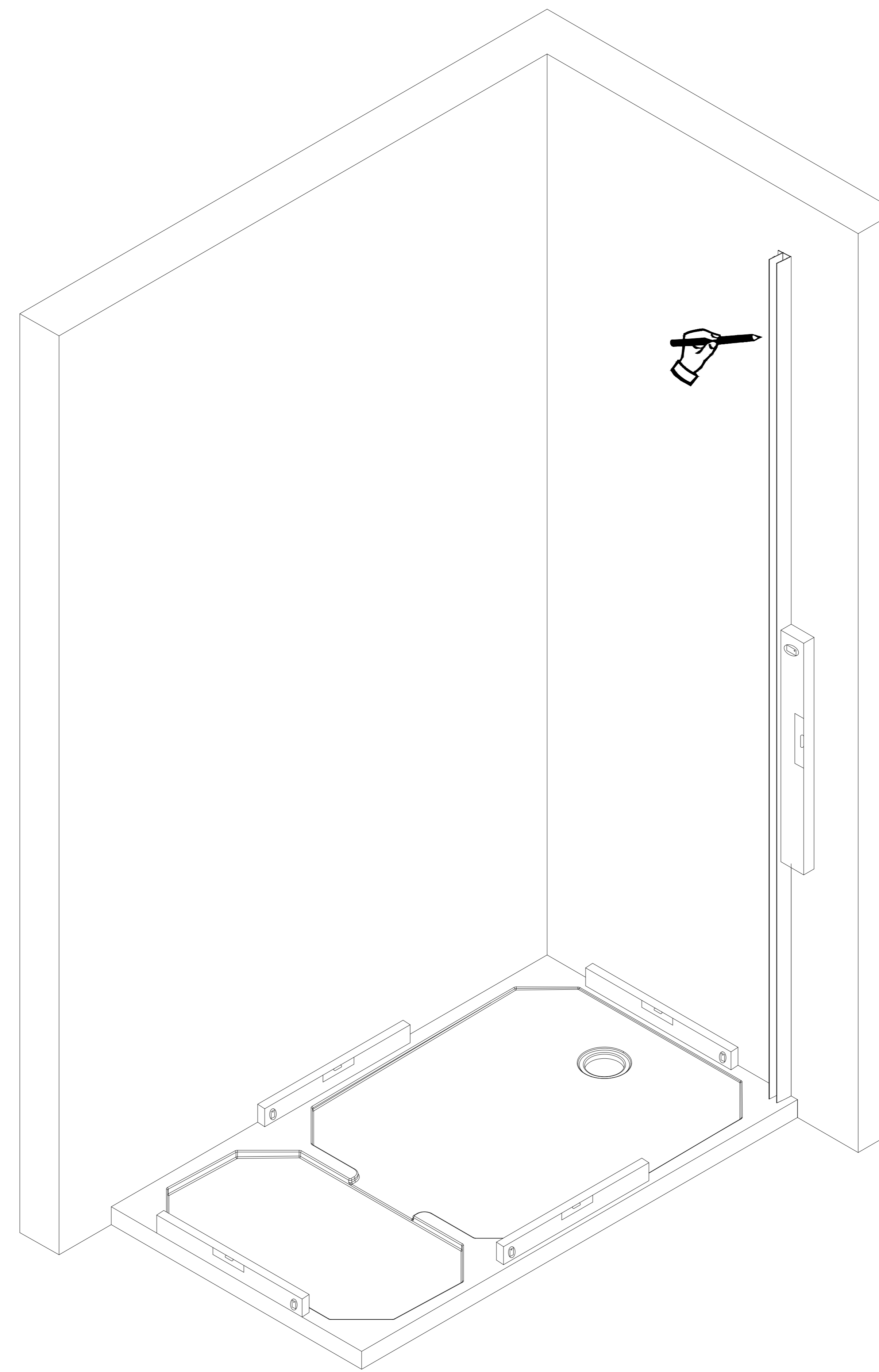
Ø3.2mm



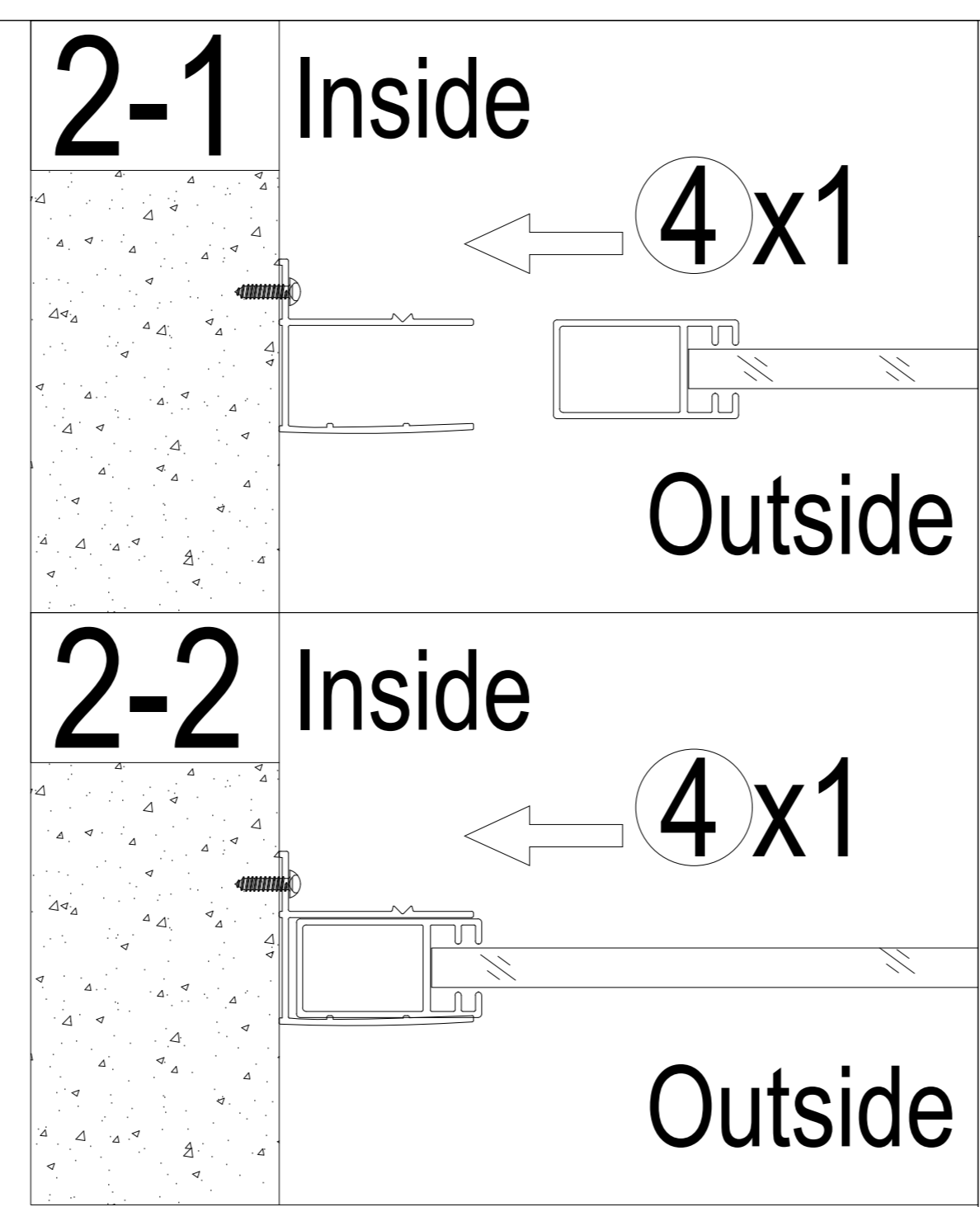
1L



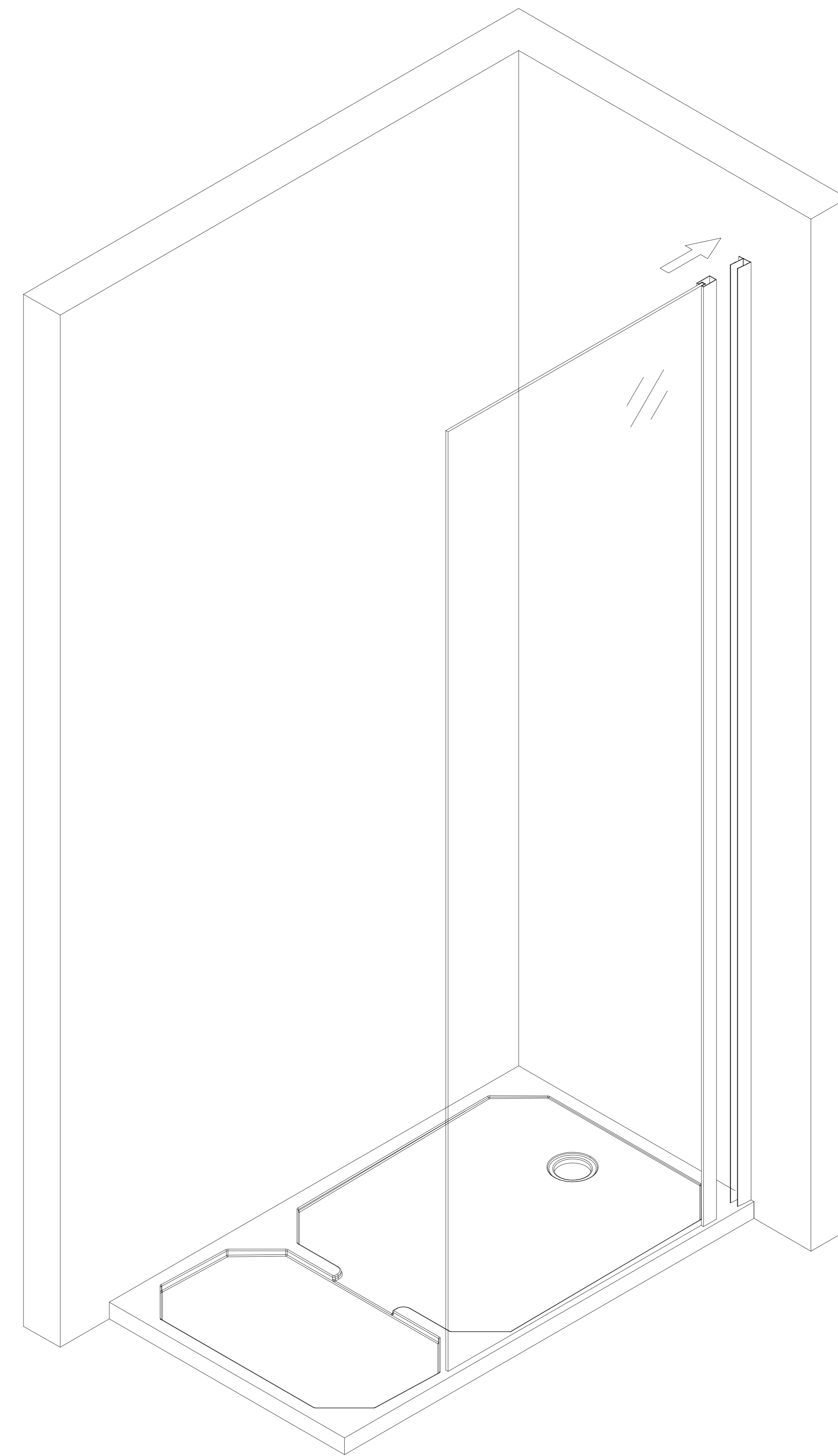
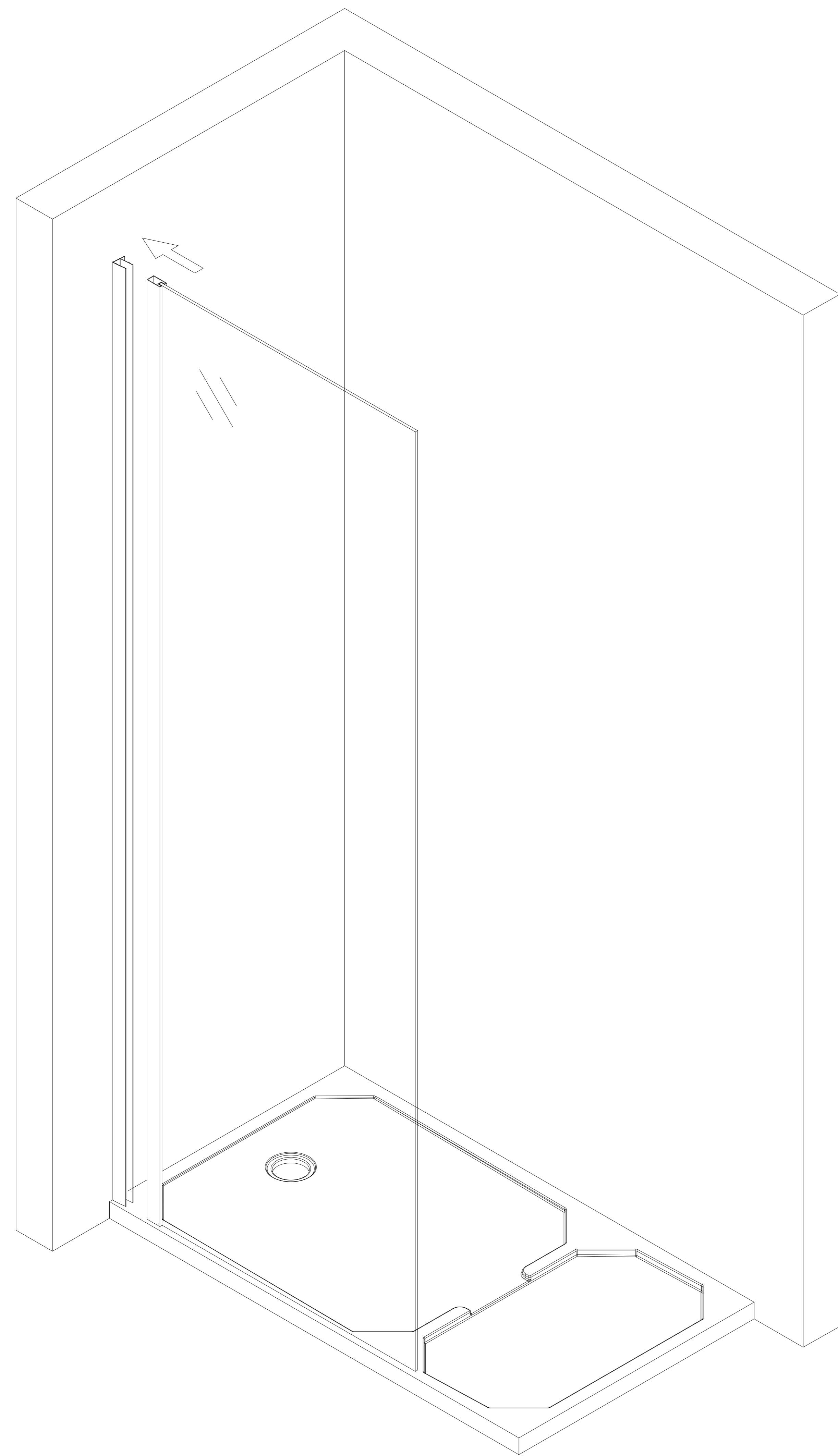
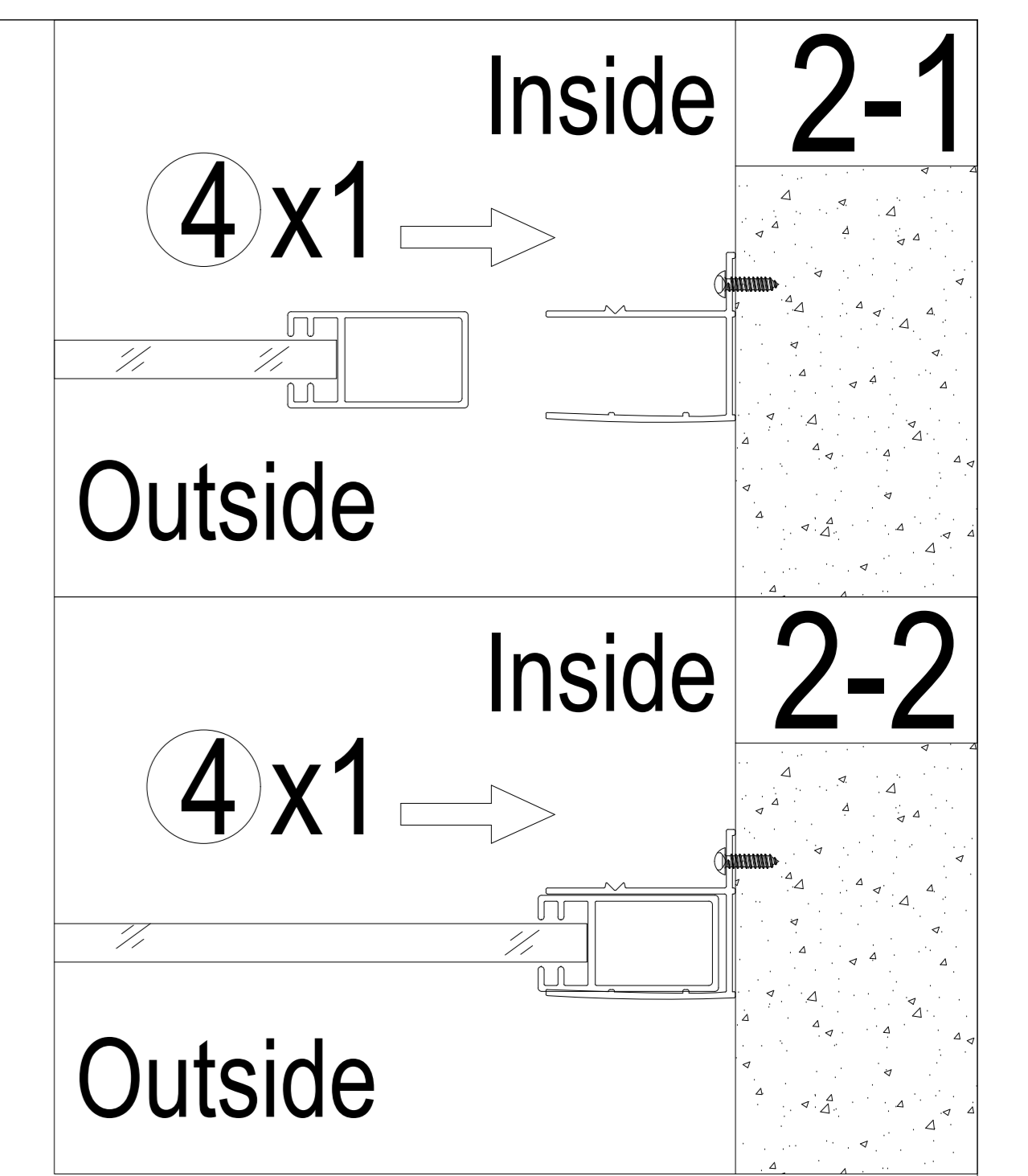
1R



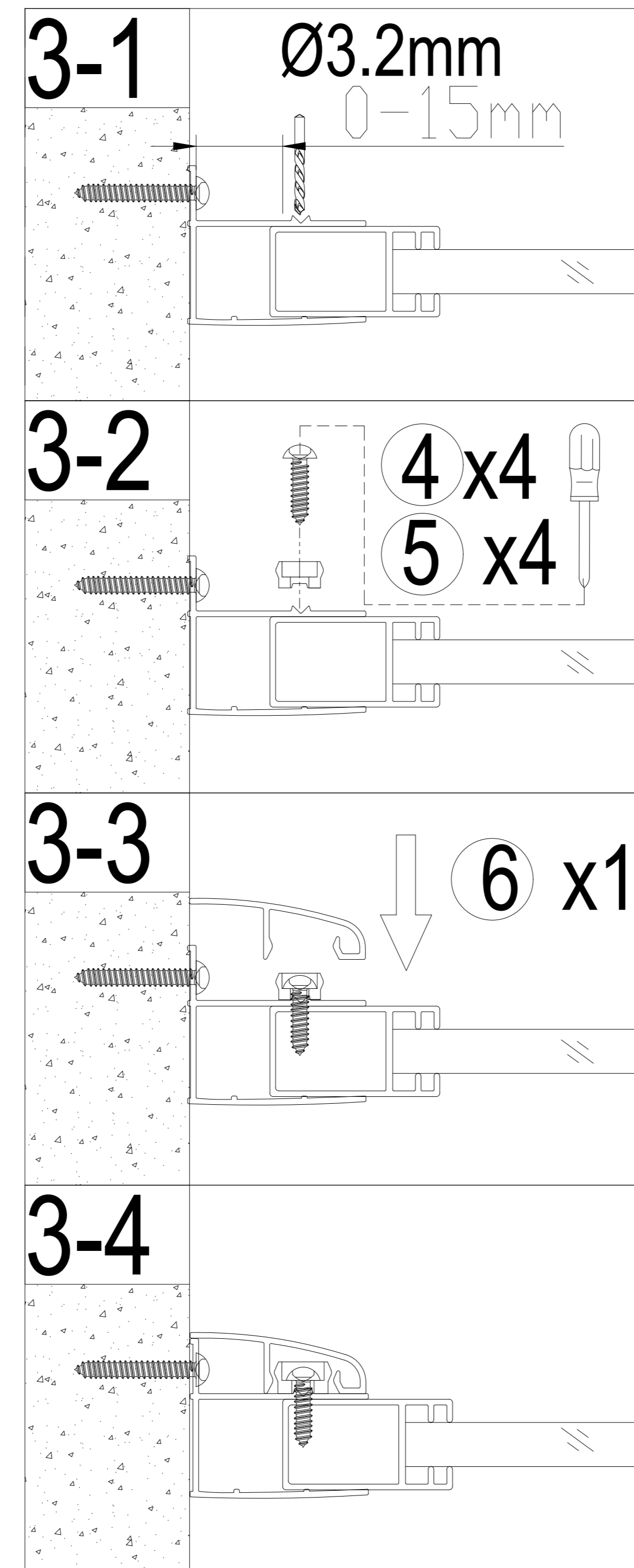
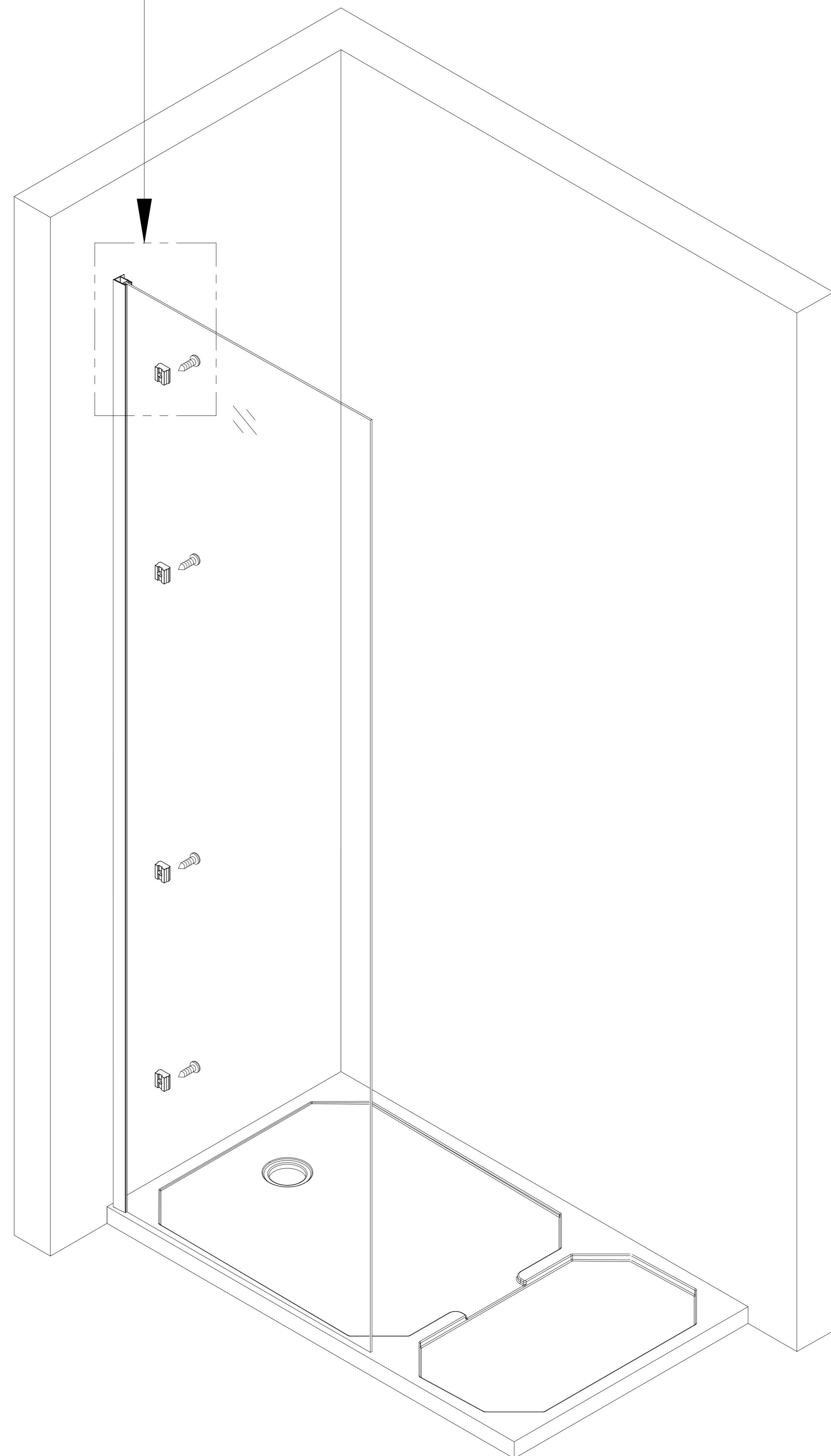
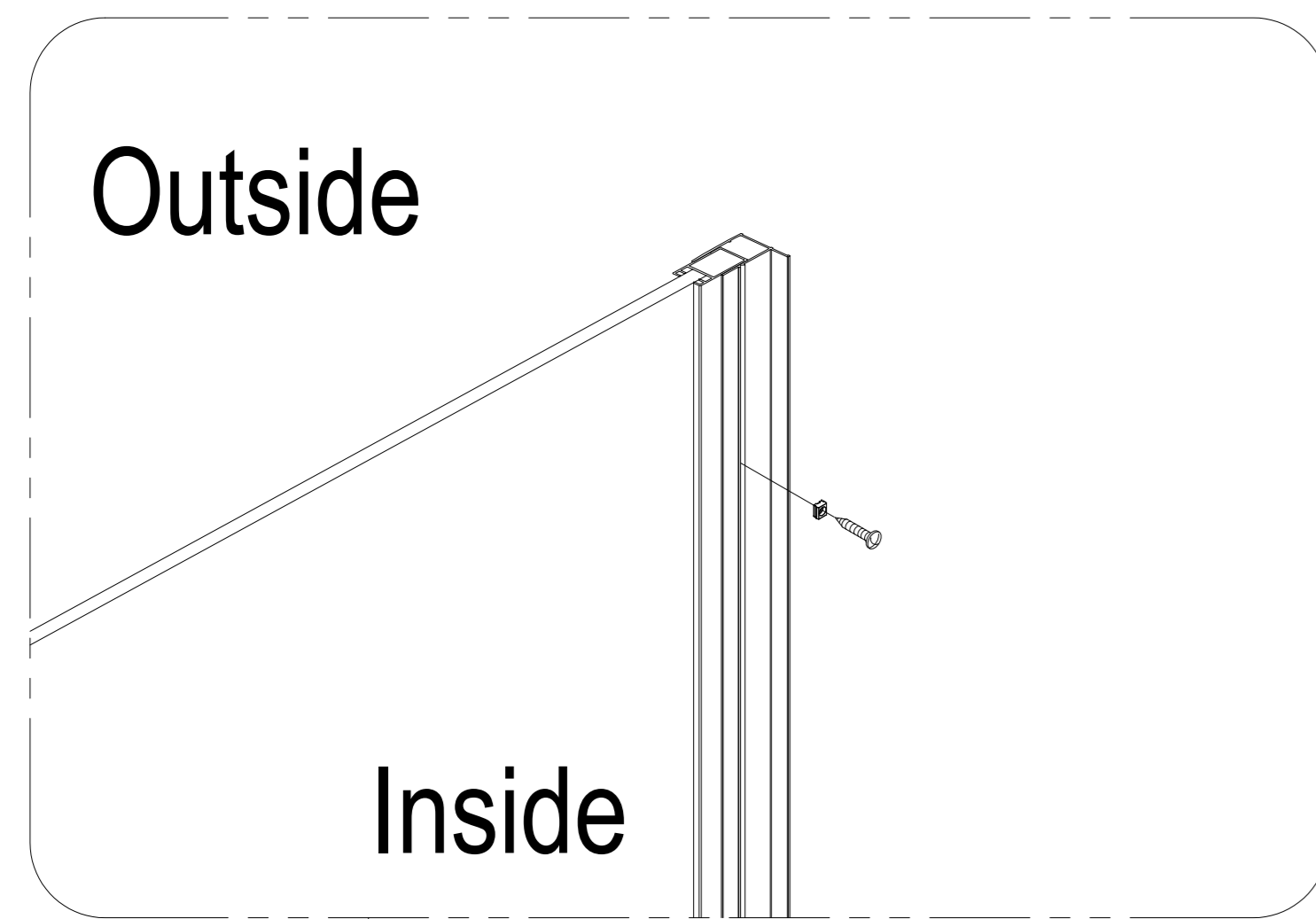
2L



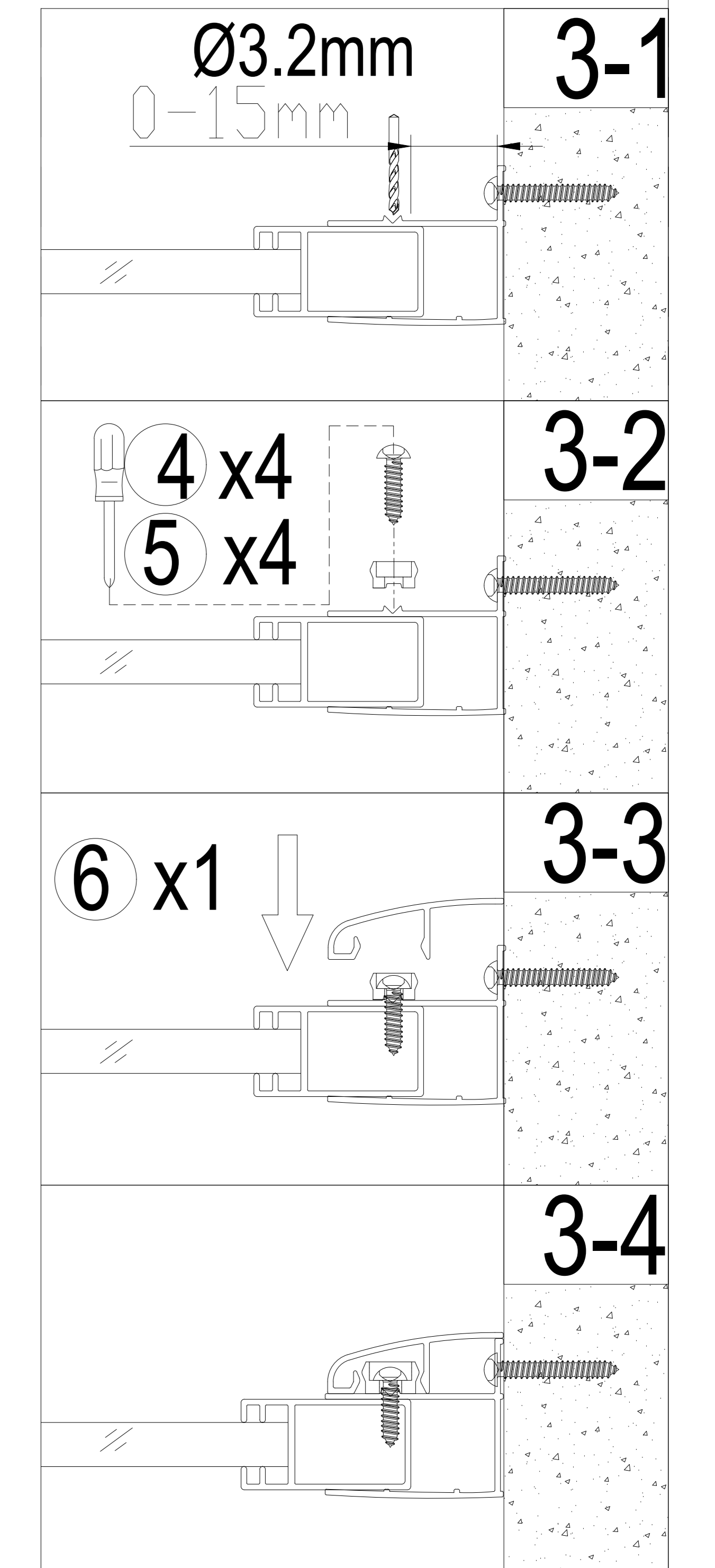
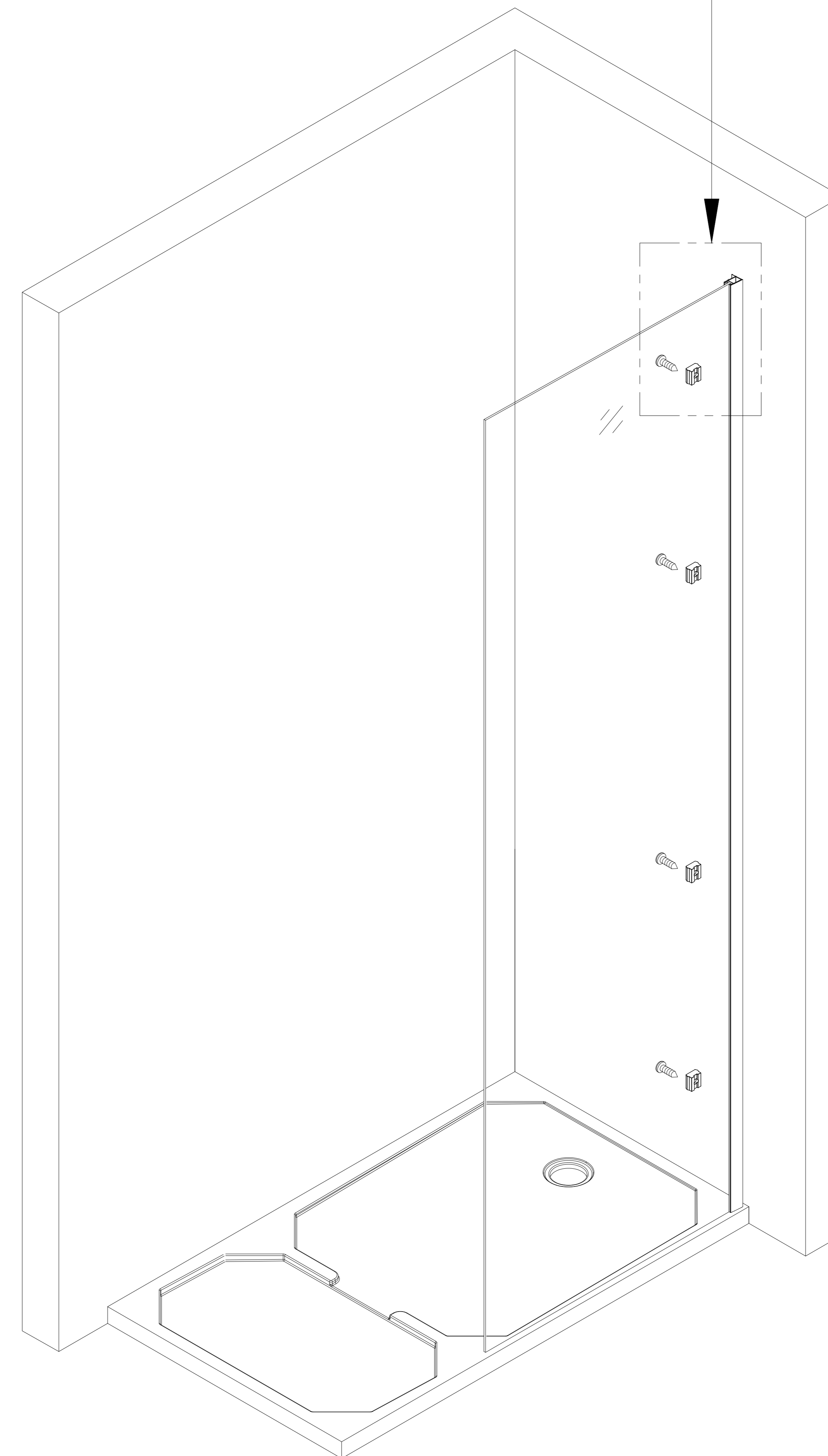
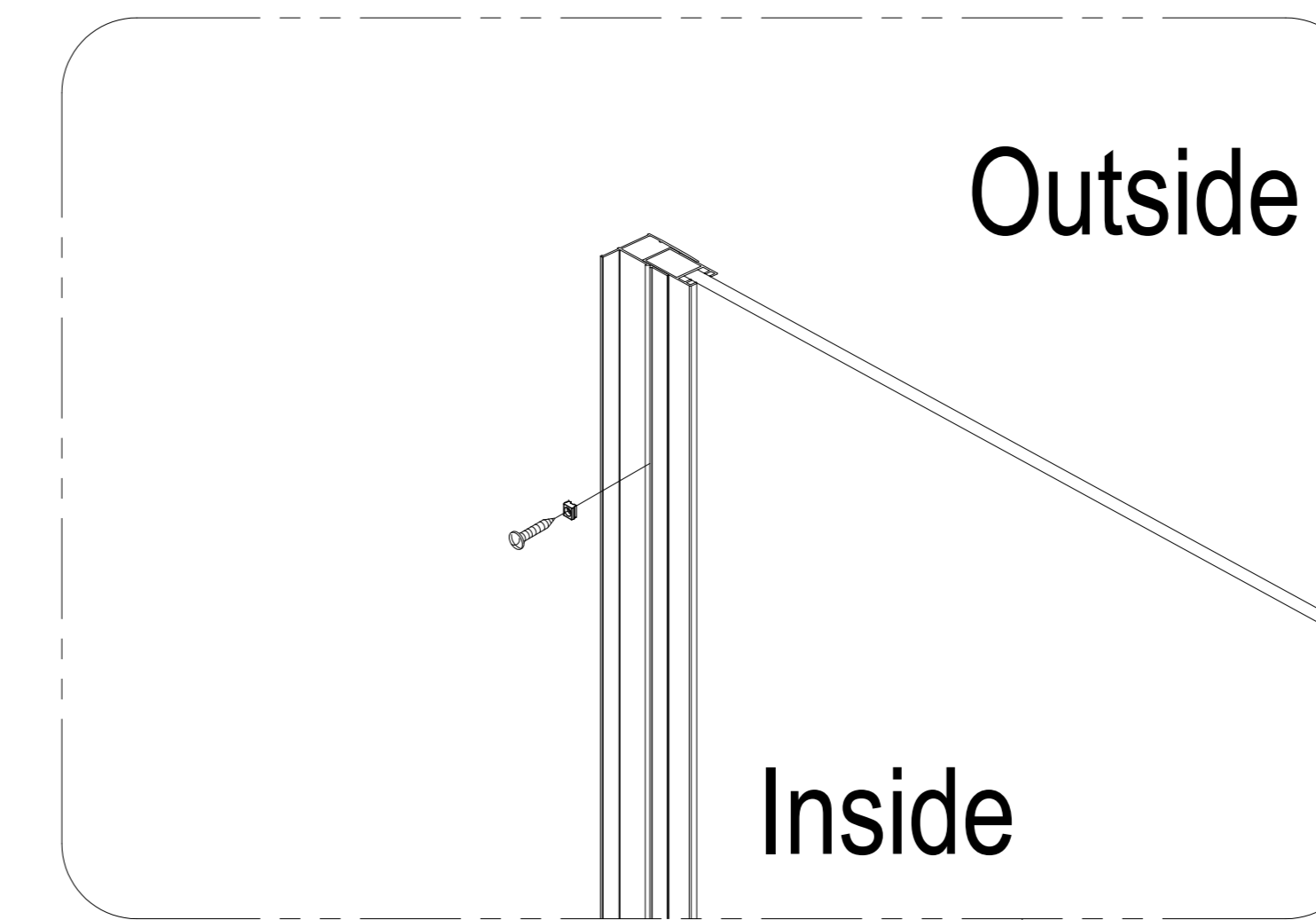
2R



3L

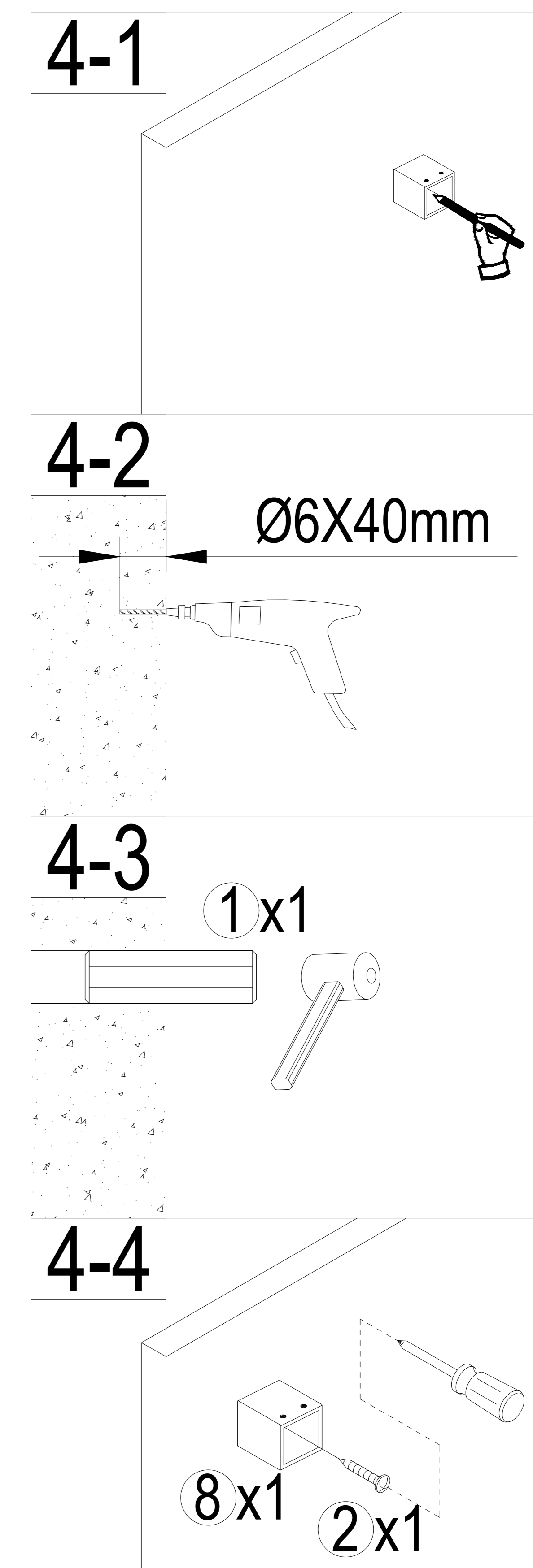
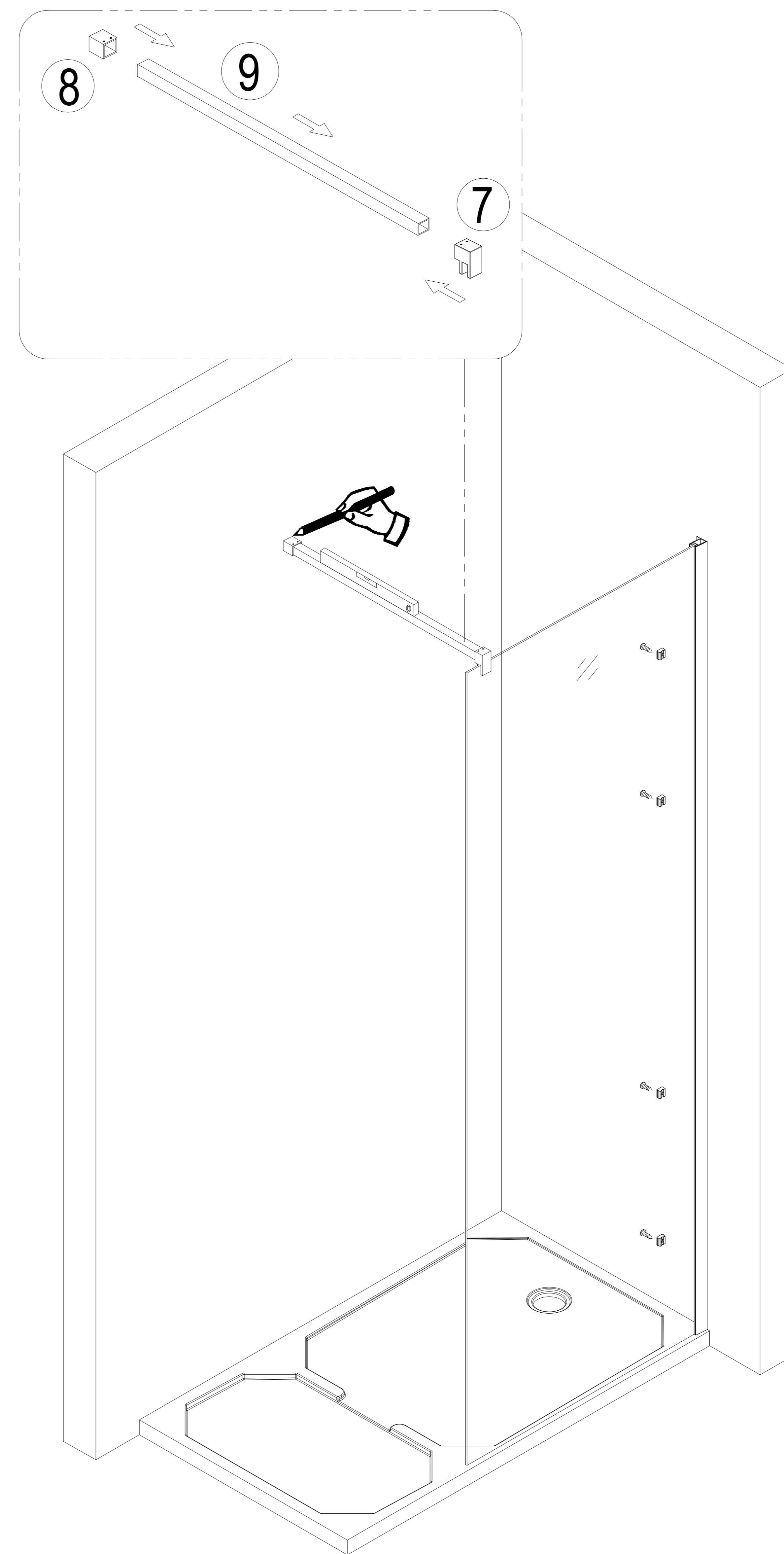
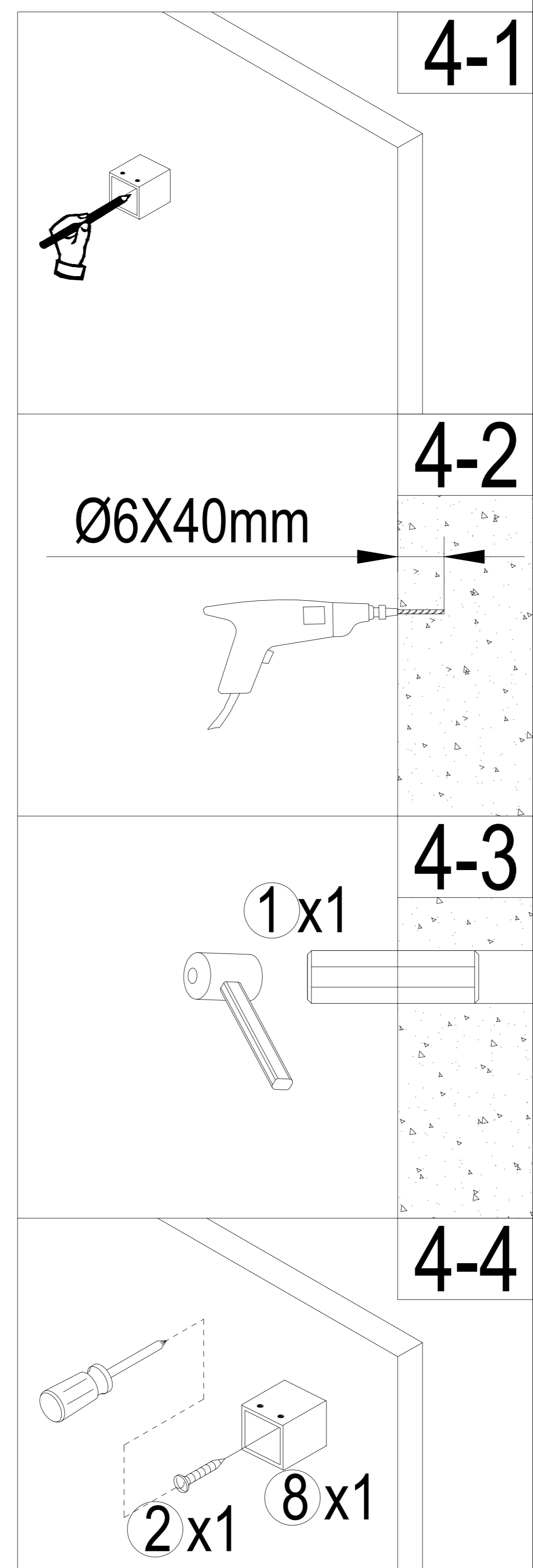
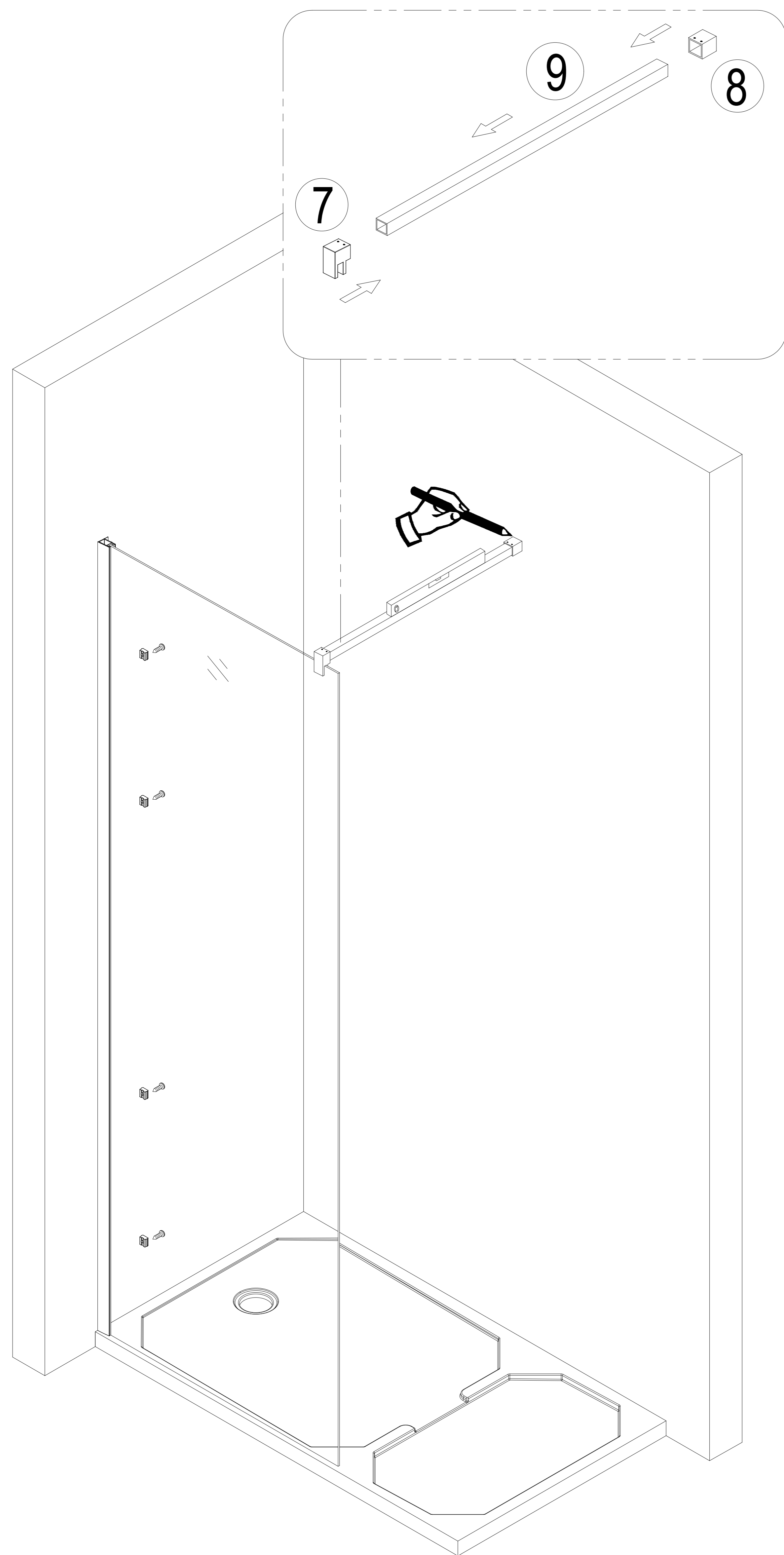


3R

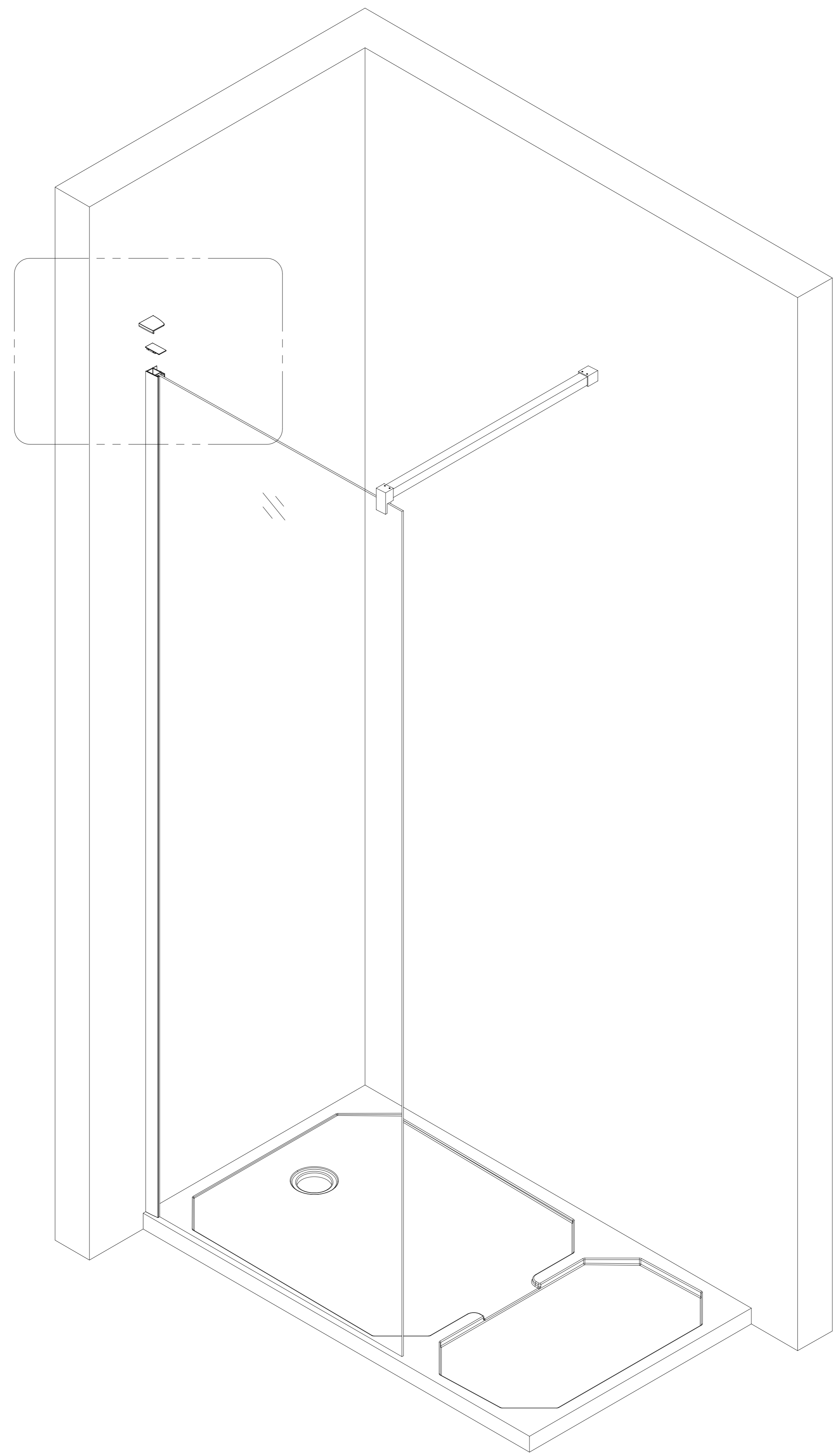


4L

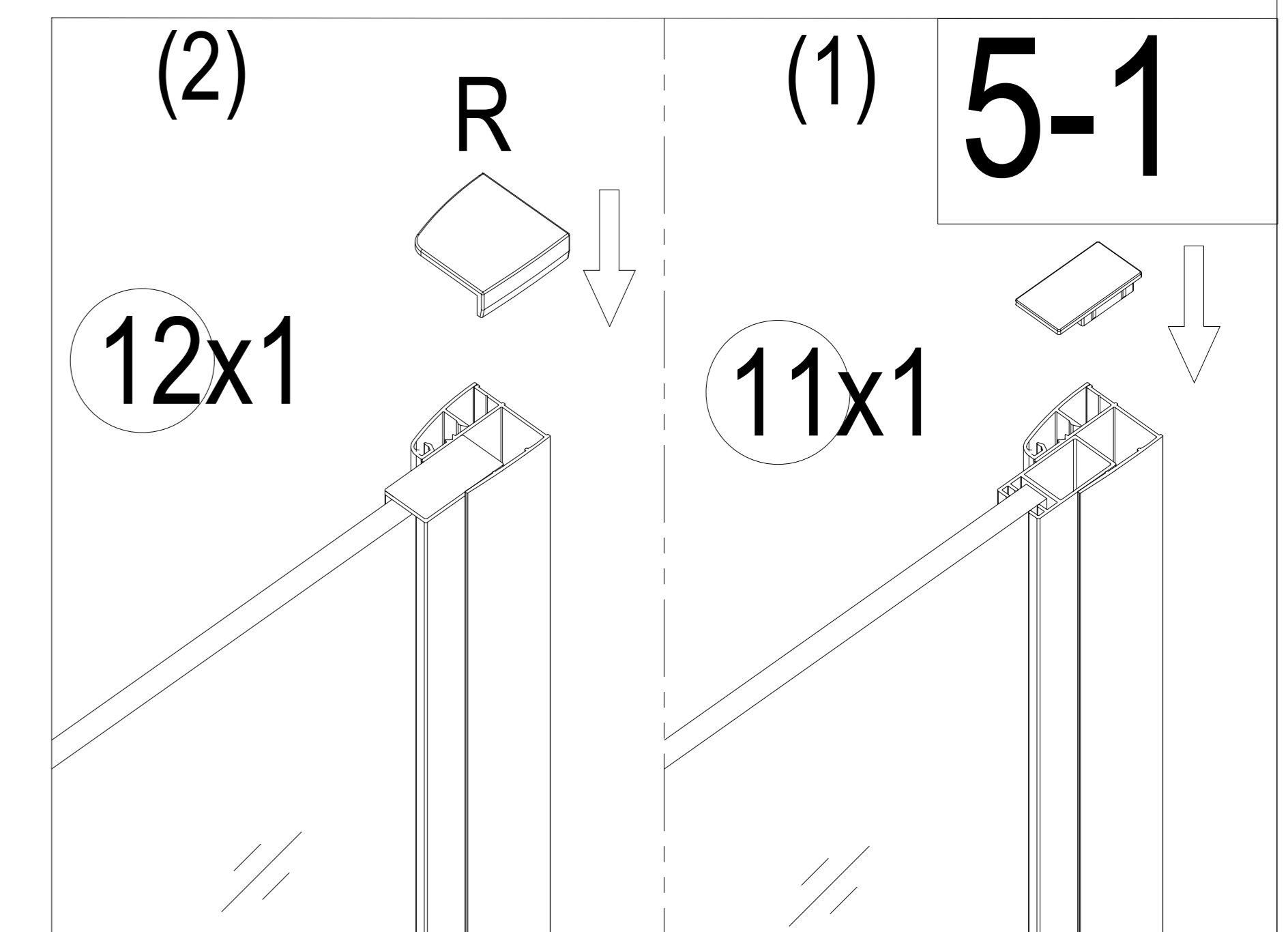
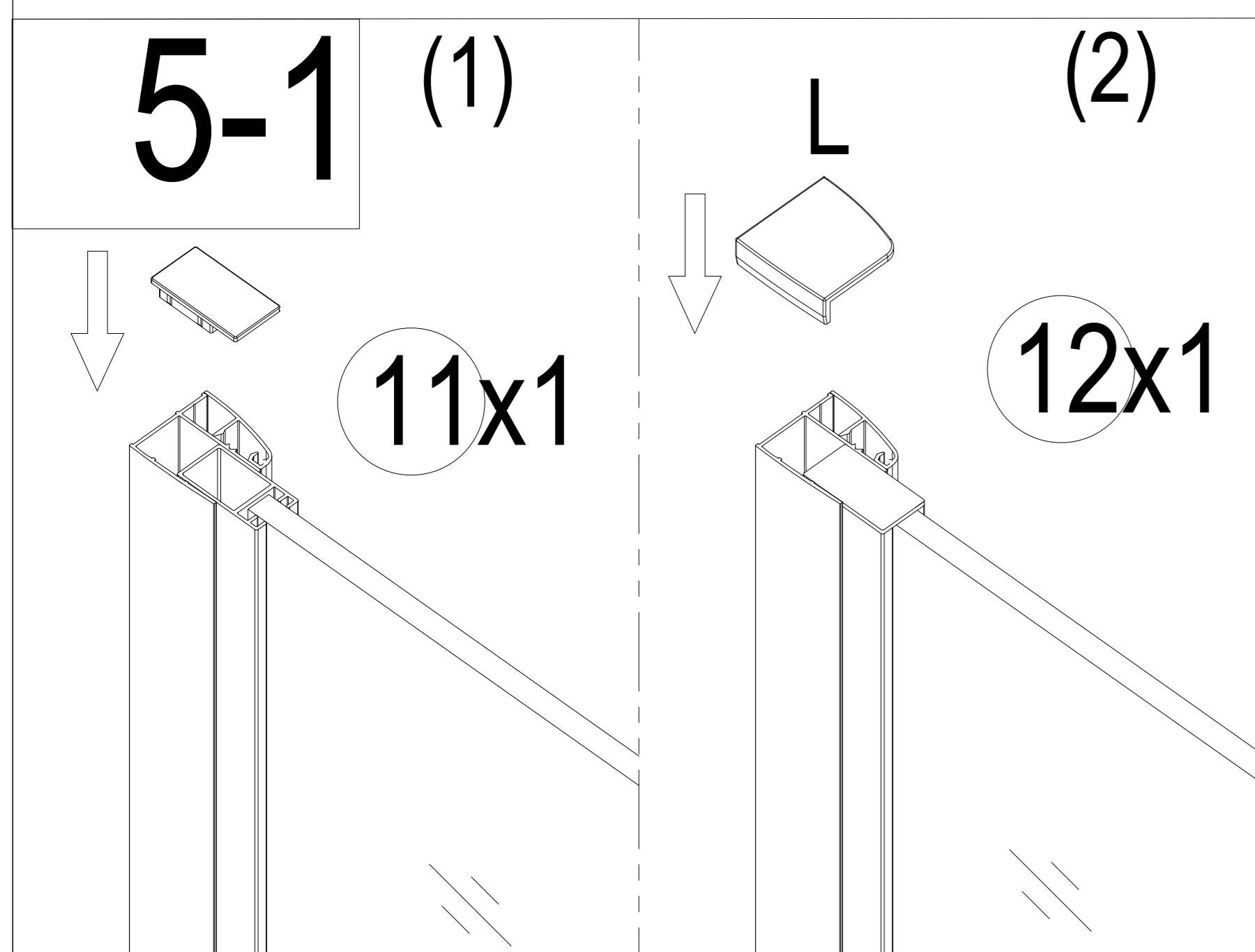
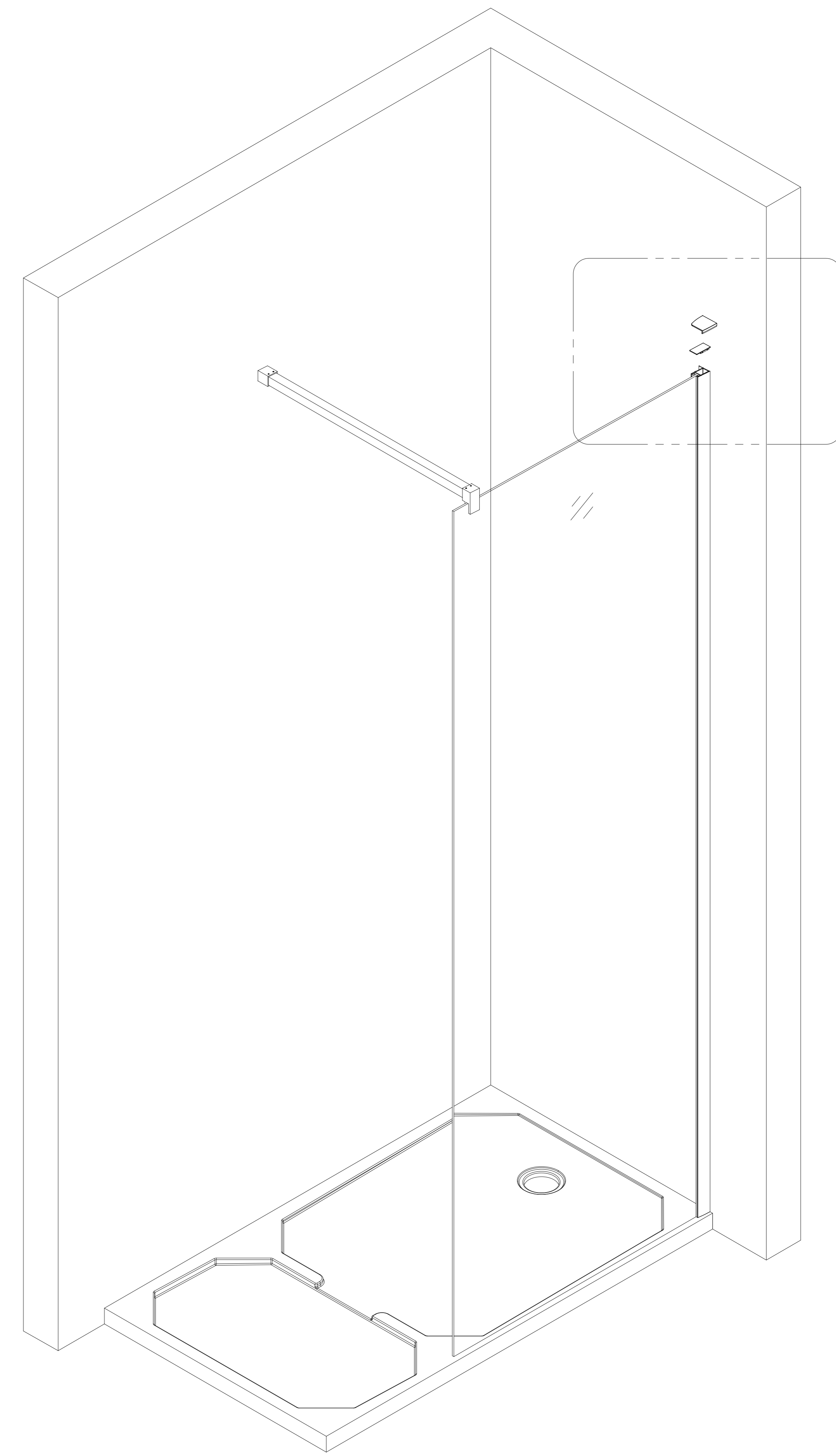
4R



5L

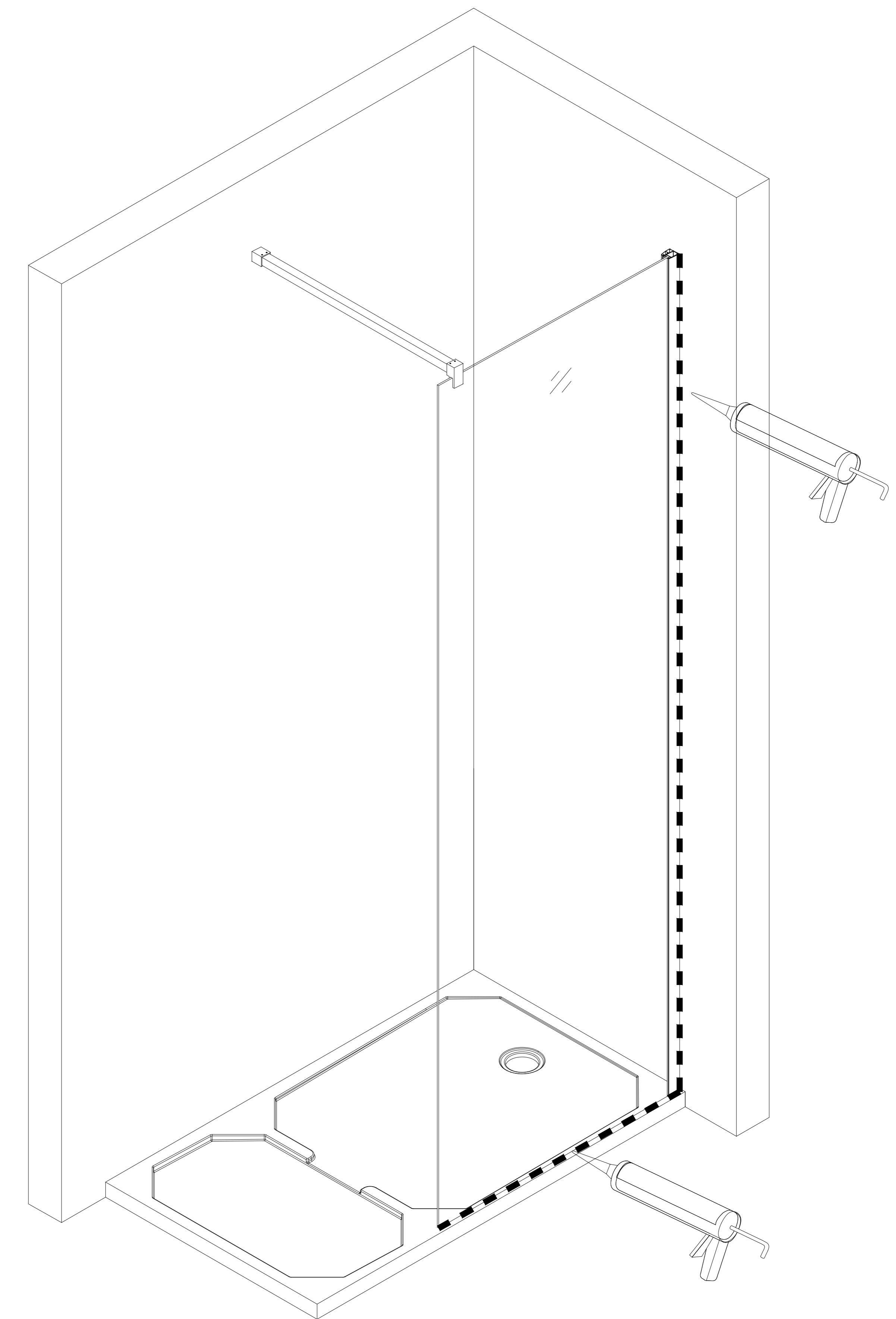
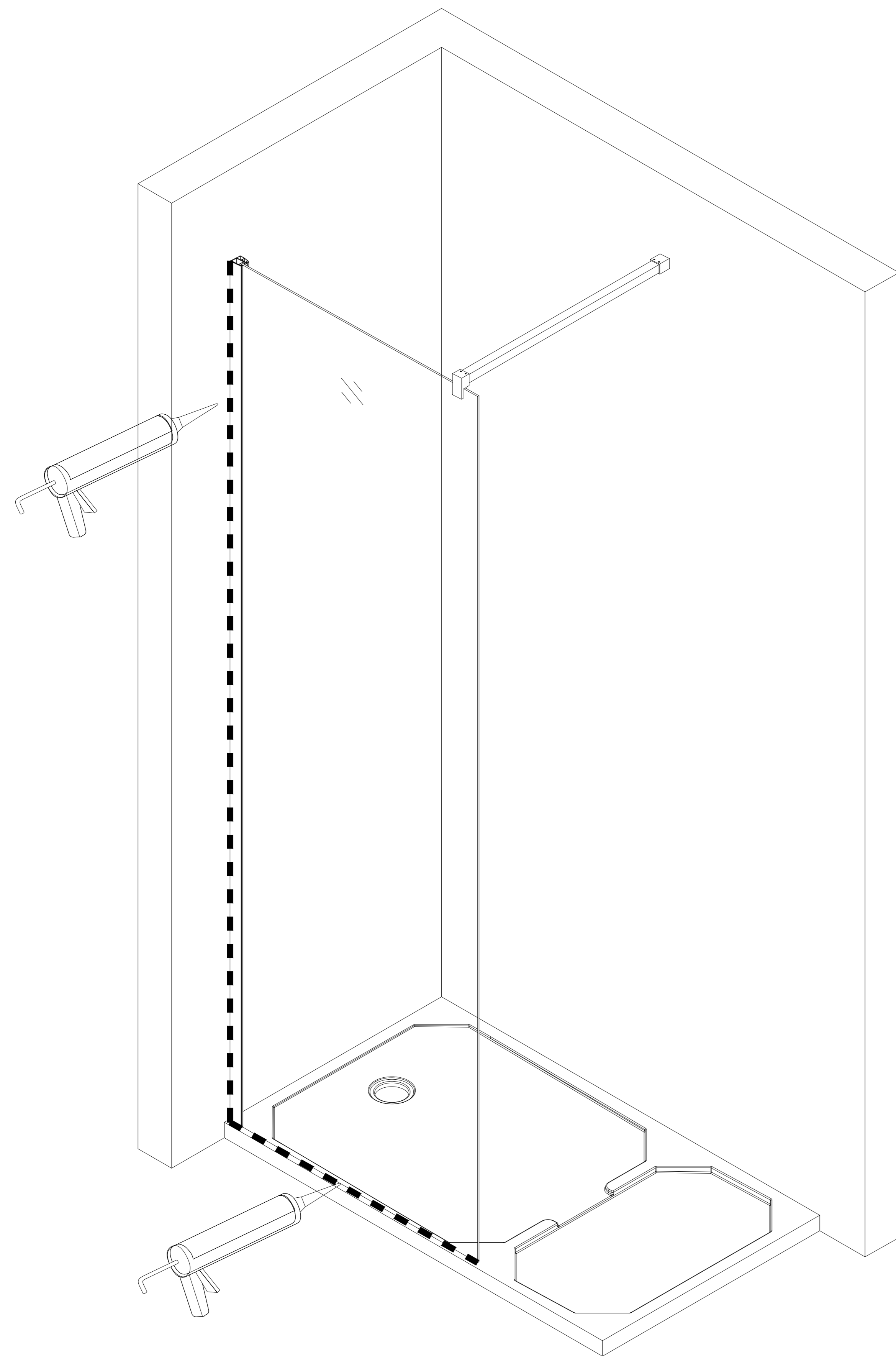


5R



Care Instructions:

Do not use your shower enclosure within 24 hours of assembly . Do not use caustic cleaning products or abrasive material when cleaning your shower enclosure.



Eastbrook

Eastbrook Road, Gloucester GL4 3DB

Technical Helpline: 01452 317890

Email: technical@eastbrookco.com

Cleaning and Maintenance of Shower Enclosures

Do not clean the shower enclosure with irritant detergents such as alcohol, bleach or other chemical cleaners.

Only clean with mild soapy water or a proprietary cleaner where the label advises it is suitable for the materials the enclosure is constructed from. Test on a small area first.

For treating limescale we would recommend distilled vinegar in a half and half solution with water.

Following installation should you find that there is a notable noise when the glass door moves you may add a small amount of silicon lubricant onto the roller wheels and tracks, hinges or clips.

It is the responsibility of the product owner to maintain the product as recommended above. Also, to check for parts which have broken or become loose to protect against failure of the enclosure.