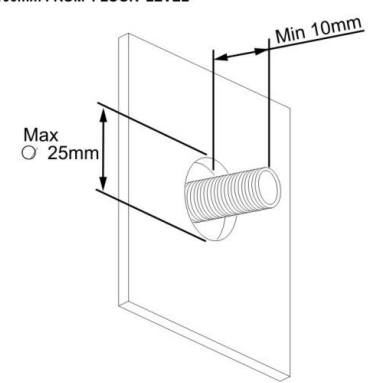
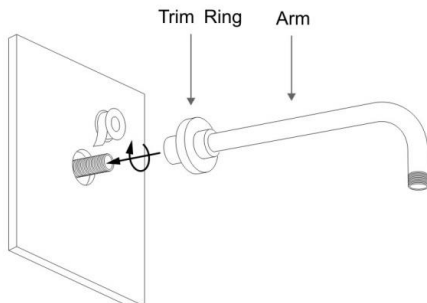
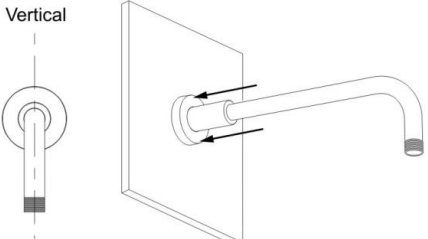
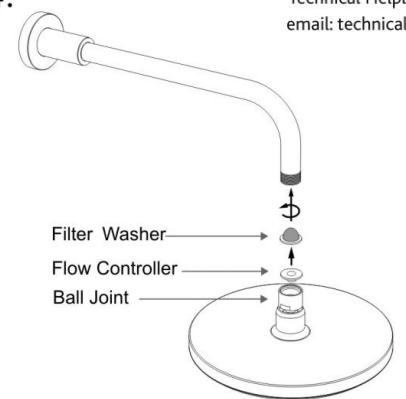
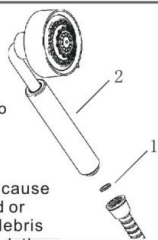

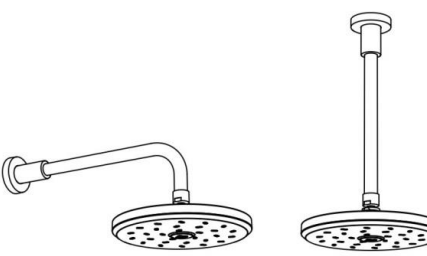
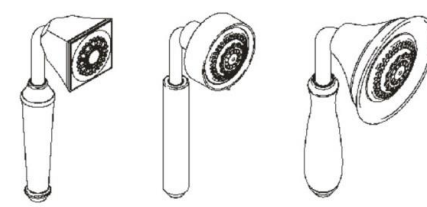
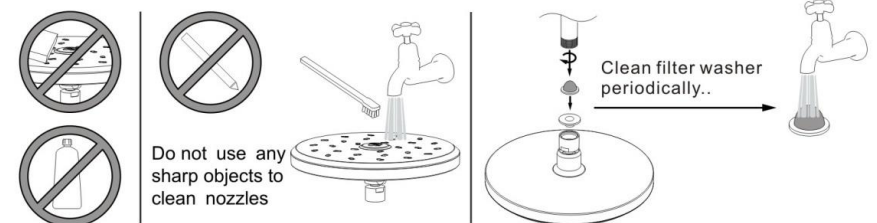


NOTE - If assembling a showerhead to a pre-existing arm skip to step 4

|   |   |  |   |
|---|---|--|---|
| <p><b>1.</b><br/> <b>FOR WALL ARM - RECOMMENDED MINIMUM HEIGHT 2100mm FROM FLOOR LEVEL</b></p>  <p>Install a 1/2" male threaded connection at the desired height on wall/or position on ceiling, ensuring that a minimum of 10mm of thread protrudes past the finished wall.</p>   | <p><b>2.</b></p>  <p>Slide chrome trim ring onto the appropriate end of the arm. Screw the arm onto the 1/2" connection using plumbers tape or similar to ensure a reliable seal.</p> | <p><b>3.</b></p>  <p>Position the arm vertically and push trim ring into place.</p>   | <p><b>4.</b></p>  <p>Remove the protective cap from the showerhead ball joint and screw the unit onto the wall/ceiling arm ensuring the filter washer is in place. To make sure the male connecting threads do not damage the flow controllers when put flow controller inside the ball joint.</p> |
| <p><b>How to Install The Handspray</b></p>  <p>Put the washer (1, thickness 5mm) into the shower hose connector, screw the handspray (2) shower hose. connect another end of shower hose to the water supply</p> <p><b>How To Clean The Spray Holes</b></p> <p>Any debris or mineral build-up may cause the flow stream to become distorted or reduce the flowrate. To remove the debris or mineral build-up, run water through the handspray, firmly press or rub your finger back and forth across the rubber nozzles.</p> <p><b>CLEANING INSTRUCTIONS</b></p> <p>All finishes: Clean the finish with mild soap and warm water. Wipe entire surface completely dry with clean soft cloth. Many cleaners may contain chemicals, such as ammonia, chlorine, toilet cleaner etc. which could adversely affect the finish and are not recommended for cleaning.</p>  <p>Do not use abrasive cleaners or solvents on faucets and fittings</p> |    | <p><b>CLEANING</b></p> <p>Water contains lime which remains on the surface after the water has evaporated. These lime deposits can be prevented from forming by wiping immediately after use.</p> <p>To clean the chrome-plated surfaces use a soft cloth, soap and warm water. Never use cleaning agents that contain a corrosive acid or a scouring additive.</p>  <p>Clean filter washer periodically..</p> <p>Do not use any sharp objects to clean nozzles</p> |   |