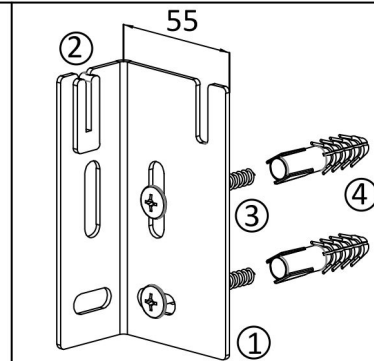
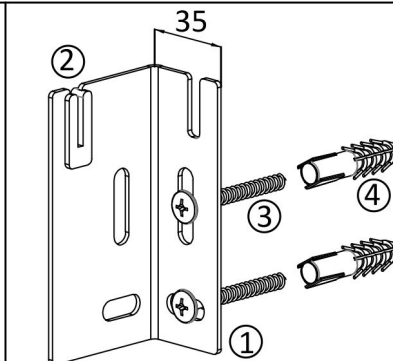
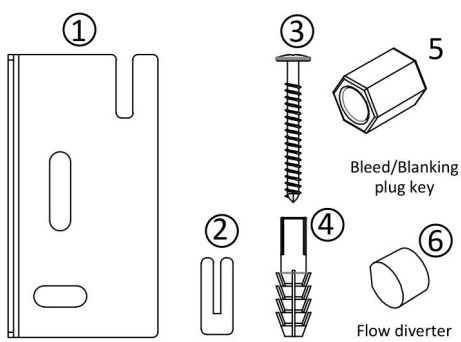
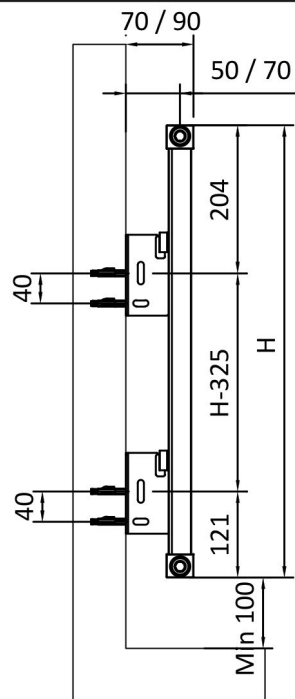
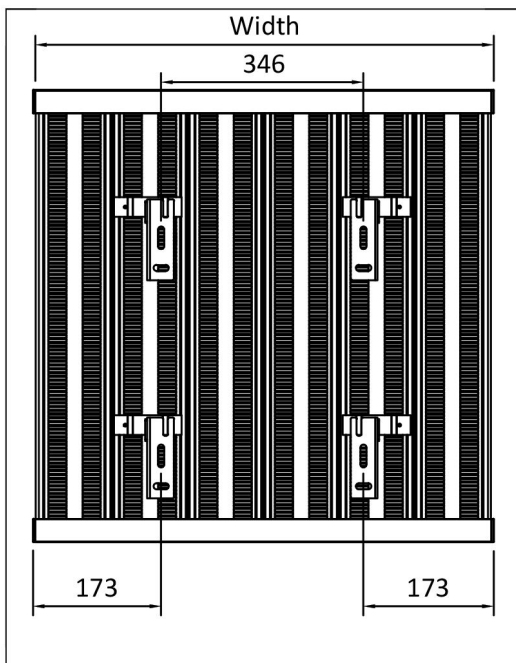


KINGSWOOD SLIMLINE VERTICAL & HORIZONTAL INSTRUCTIONS

Part number	Quantity
1	4
2	4
3	8
4	8
5	1
6	1



Bleed valve & blanking plugs do NOT come installed on the radiators.



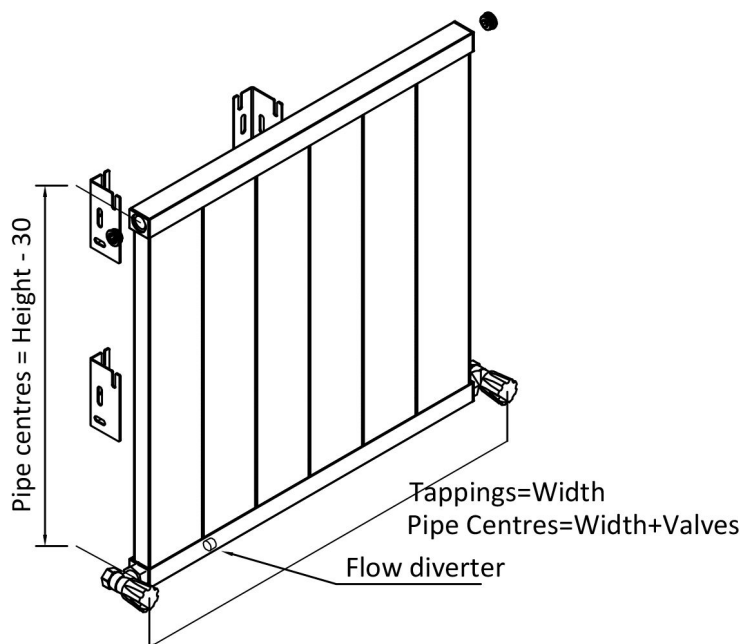
INSTALLATION

- This product must be installed by a fully qualified engineer.
- Please consider using an Eastbrook Valve Set - this will ensure that your radiator looks its best with matching radiator valves.
- On commissioning, flush the central heating system thoroughly using a proprietary solution to ensure that aggressive substances such as fluxes and manufacturing residue, from which internal surfaces of your radiator can sustain irreparable damage - are removed. A specifically approved inhibitor for aluminium radiators needs to be subsequently added to the heating system in order to protect the radiator and other parts of the central heating system to promote extended operating lifespan. Please ensure, when adding inhibitor, not to underdose or overdose and follow the inhibitor instructions. **The Ph level of the system water should be between 6.5 and 7.5**
The inhibitor must not be nitrate based!
Do not use softened water in your radiator! Beware of own brand inhibitors! Eastbrook recommends FERNOX F1 or equivalent inhibitor for your radiators.

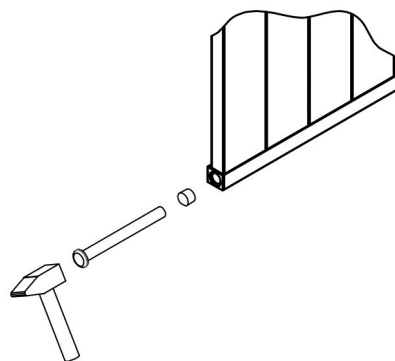
MAINTENANCE

- From time to time it is advisable to clean your radiator with a warm damp cloth. Never use any form of abrasive cleaner or chemical.
- Corrosion inhibitor must also be regularly maintained, please consult your heating engineer for details.

All horizontal sizes have the same rear wall positioning dimensions.



How to install the flow diverter ;



* Diverter should be installed into the flow side of the radiator

Profile quantity of radiator	Install the flow diverter
4, 5, 6	Between first and second profiles
8, 10	Between second and third profiles
12, 14	Between third and fourth profiles

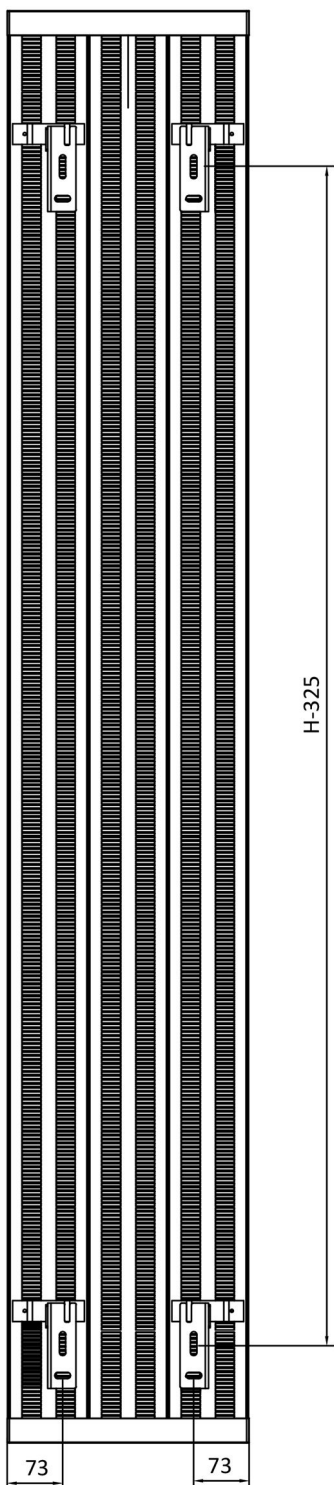
Profile quantity	4	5	6	8	10	12	14
W (mm)	410	510	610	810	1010	1210	1410

Eastbrook 
 Eastbrook Road, Gloucester GL4 3DB
 Technical Helpline : 01452 317890
 Mon - Fri / 8am - 5pm
 Email : technical@eastbrookco.com

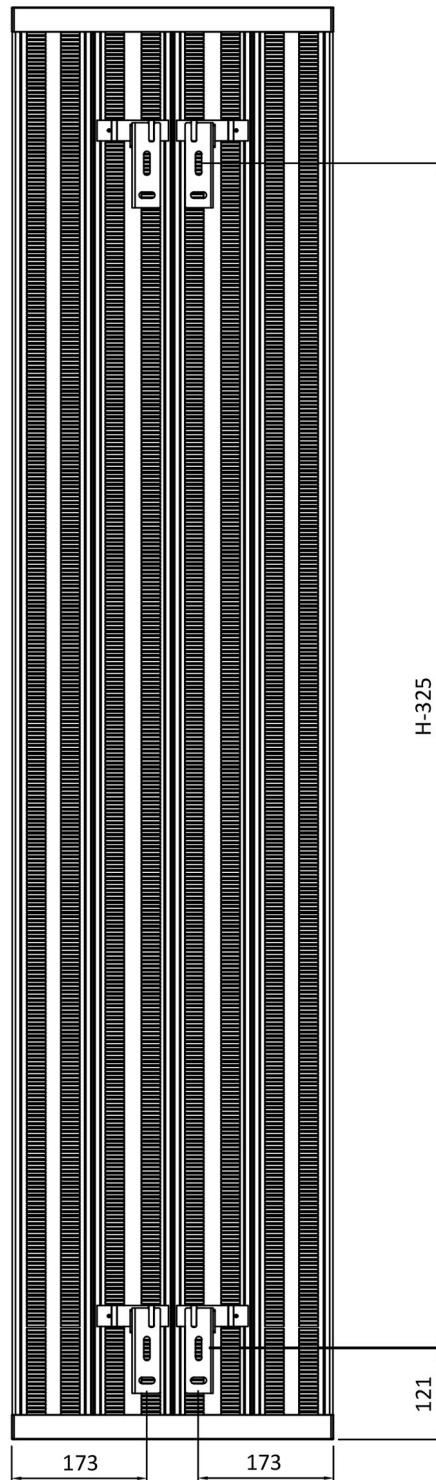
Important Notes :

- Kingswood Slimline Vertical & Horizontal radiators are **not** compatible with elements.
- For **central heating system** installations ;
Flow diverter **must** be fitted on the flow side, on the bottom header.
- Bleed valve must be fitted on the top opposite side of the flow.

Rear wall brackets positioning for
3 panel vertical sizes (310mm width)



Rear wall brackets positioning for
4, 5 and 6 panel vertical sizes
(410mm, 510mm and 610mm width)



IMPORTANT NOTE

Maximum working pressure is 4 bar. This radiator is to be used on Domestic Heating Systems **only**. (Not suitable for use on direct hot water systems)

Eastbrook

Eastbrook Road, Gloucester GL4 3DB

Technical Helpline : 01452 317890

Mon - Fri / 8am - 5pm

Email : technical@eastbrookco.com

CONGRATULATIONS

You are the proud owner of an exclusive Kingswood Slimline Aluminium Radiator which has been specially produced by our craftsmen who would wish you to enjoy many years of satisfaction from it.

INSTALLATION

This product must be installed by a fully qualified engineer.

- Please consider using an Eastbrook Valve Set – this will ensure that your radiator looks its best with matching radiator valves.
- On commissioning, flush the central heating system thoroughly using a proprietary solution to ensure that aggressive substances such as fluxes and manufacturing residue, from which internal surfaces of your radiator can sustain irreparable damage – are removed. A specifically approved inhibitor for aluminium radiators needs to be subsequently added to the heating system in order to protect the radiator and other parts of the central heating system to promote extended operating lifespan.

Please ensure, when adding inhibitor, not to underdose or overdose and follow the inhibitor instructions. The Ph level of the system water should be between 6.5 and 7.5

The inhibitor must not be nitrate based!

Do not use softened water in your radiator!

Beware of own brand inhibitors!

Eastbrook recommends FERNOX F1 or equivalent inhibitor for your radiators.

MAINTENANCE

- From time to time it is advisable to clean your towel rail with a warm damp cloth. Never use any form of abrasive cleaner or chemical.
- Corrosion inhibitor must also be regularly maintained, please consult your engineer for details.

IMPORTANT

- Maximum working pressure of this radiator is 4 bar.
- This radiator is to be used on Domestic Central Heating systems only. (Not suitable for use on direct hot water systems). Please consult your engineer or supplier.

WARRANTY

Your Kingswood Slimline Aluminium Radiator has a manufacturer's warranty for five years in respect of defective materials and workmanship and subject to installation being carried out by a qualified engineer in accordance with good practice and the appropriate corrosion inhibitor being regularly maintained.

REMEMBER Excellence is worth looking after.