

## DATASHEET

### Image



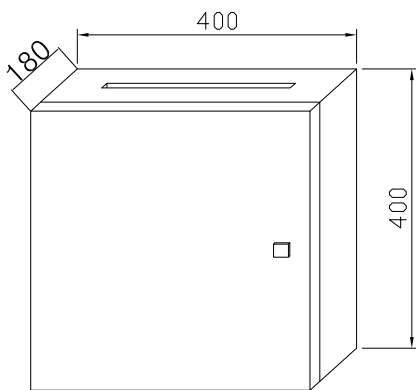
### General Information

|                       |                                  |
|-----------------------|----------------------------------|
| Product:              | 56.1039                          |
| Description:          | 400 x400 x180mm Cabinet with LED |
| Website Link:         | <a href="#">(Click Here)</a>     |
| Product Type:         | Single Door Wall Hung Units      |
| Brand:                | Eastbrook Company                |
| Colour:               | White                            |
| Material:             | Glass/Wood                       |
| Height (mm):          | 400mm                            |
| Width (mm):           | 400mm                            |
| Length (mm):          | 180mm                            |
| Net Weight (kg) (kg): | 10kg                             |
| Product Range:        | Oslo                             |

### Product Specifications

|                        |                    |
|------------------------|--------------------|
| Warranty:              | 1 Year(s)          |
| Shape:                 | Square             |
| Supplied with fixings: | Yes                |
| Mounting:              | Wall               |
| Orientation:           | Portrait/Landscape |

### Drawing



# 56. 1039 (YL-A02)