

DATASHEET

Image



General Information

Product:	12.064
Description:	Corner Manual Dual Fuel Radiator Valves (pair)
Website Link:	(Click Here)
Product Type:	Radiator Valve
Brand:	Eastbrook Company
Colour:	Matt White
Net Weight (kg):	0.685kg
Product Range:	Radiator Valves

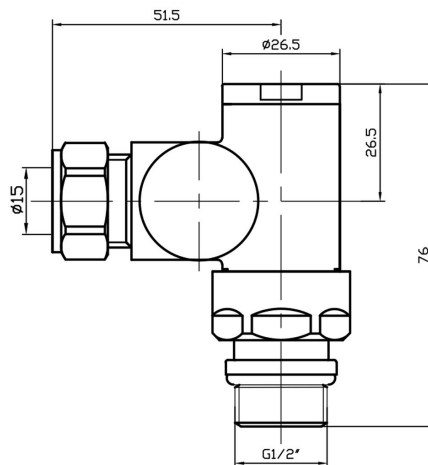
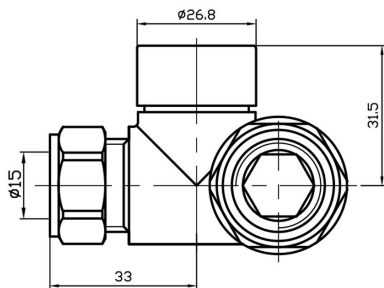
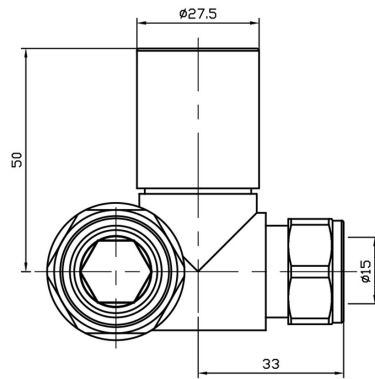
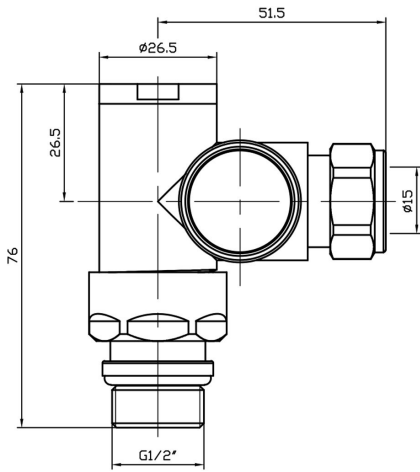
Product Specifications

Warranty:	2 Year(s)
Valve Types:	Dual Fuel

Drawing

12.062
12.063
12.064
12.065
12.066
Technical Drawing

Corner Manual Dual Fuel Valves Technical Drawing



Eastbrook 
Eastbrook Road, Gloucester GL4 3DB
Technical Helpline : 01452 317890
Mon - Fri / 8am - 5pm
Email : technical@eastbrookco.com