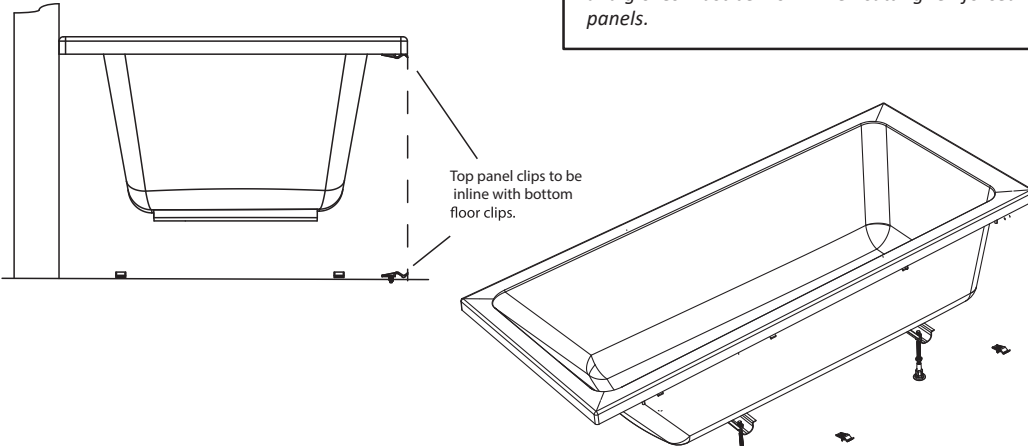


Adjustable Front Panel Installation Instructions

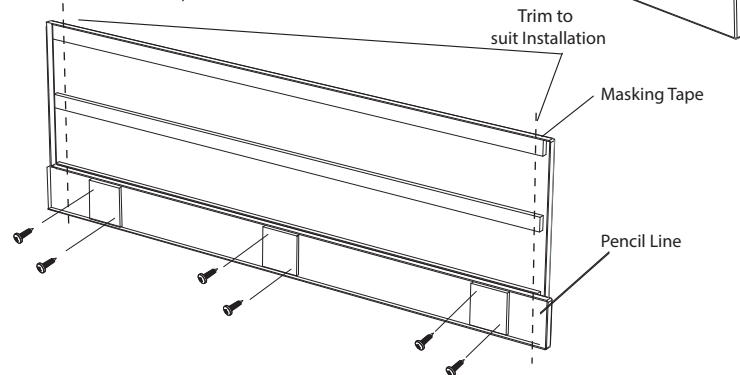
1. Please note bath shown without bath supports for illustration purposes.

PPE Safety
Dust masks (RPE rated at FFP3) Eye protection and gloves must be worn when cutting reinforced panels.

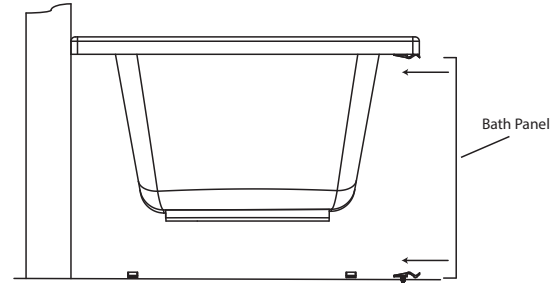


Using a cross headed screwdriver secure the bath panel clips to floor and the underside of the bath using the screws (item 2.) provided. Ensure that the panel clips are equally spaced and are in line with each other top to bottom and that the clips are marginally proud of the bath rim. [Please note If the bath does not have a timber frame such as on enamel baths) timber can be bonded to the underside using a suitable bonding agent]

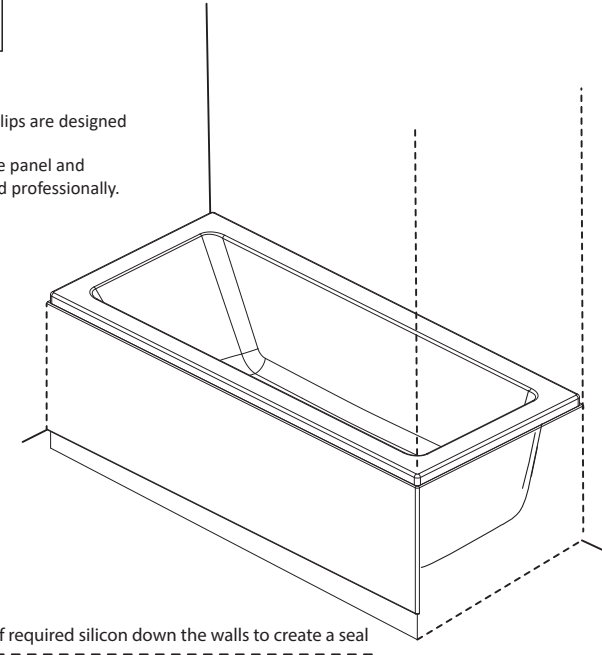
2. Using a tape measure carefully measure the bath to which the panels are to be fixed. Clamp together panel A and panel B, as shown, then adjust the panels to the height measured from the floor to underneath the Bath rim. Offer the panels in position before screwing together using the screws numbered 16 in the panel fixings section. Place some masking tape at both ends of the bath panels and using a pencil carefully mark out the correct sizes required to suit the bath. Using a fine toothed saw, cut the panel to the required sizes. You may wish to clean the cut edges with a fine wet and dry paper. (NOTE! before cutting check to ensure the sizes are correct)



3. Carefully fit the bath panel to the bath by gently pushing the bath panel into place. Ensure that the bath panel is firmly held in place with the bath panel clips.

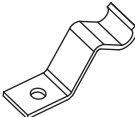





Please note to allow for future access the panel stops/clips are designed to hold the panel not lock it into position. Additional timbers may be fitted to the walls behind the panel and Velcro strips used to further secure the panel neatly and professionally.



Panel Fixings:

Components shown below are **supplied with the front panel** (quantities dependant on panel type).

	6		Supplied with thin rimmed bath		Length: 32mm Plinth Screws	16		Length: 19mm	2
Front Panel Clips x6		Front Panel Clips x6		Self Tapping Screws x6			Self Tapping Screws x6		