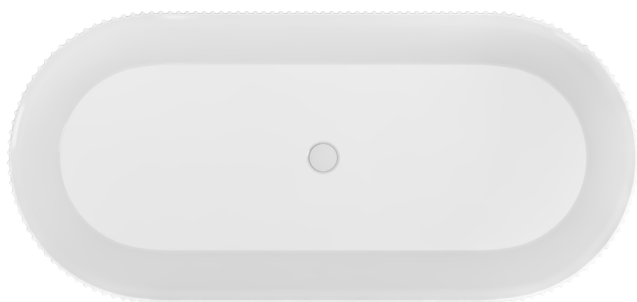


## DATASHEET

### Image



### General Information

Product:	33.0051
Description:	Sandford 1600 Freestanding Bath inc waste
Website Link:	<a href="#">(Click Here)</a>
Product Type:	Freestanding Bath
Brand:	Eastbrook Company
Colour:	White
Material:	Double skinned 4mm thick acrylic
Height (mm):	580mm
Width (mm):	740mm
Length (mm):	1595mm
Net Weight (kg):	36kg
Product Range:	Sandford

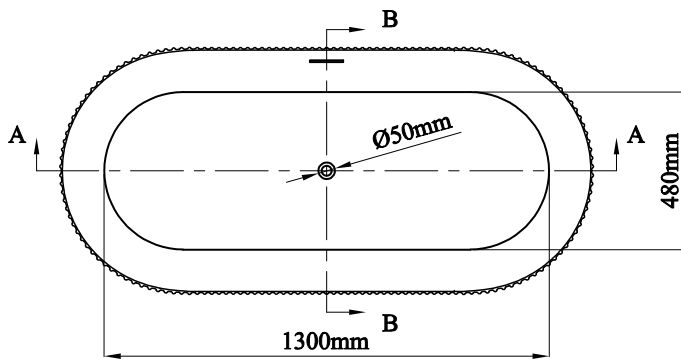
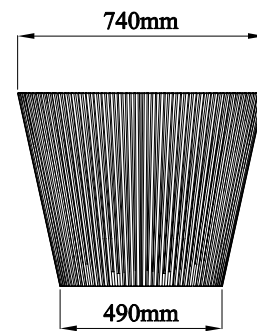
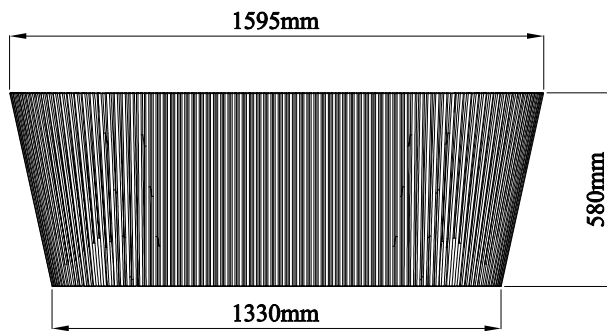
### Product Specifications

Warranty:	5 Year(s)
Water Capacity:	260L
Compatible Tap Types:	Floor or wall mounted
Pre-drilled tap holes:	No

## Drawing

Code No.: 33.0051

Dimensions: 1595x740x580 mm



SECTION A-A

SECTION B-B

