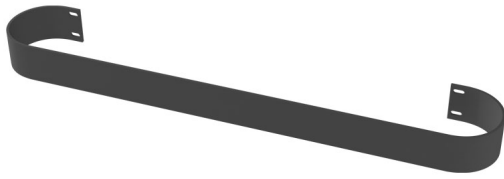


DATASHEET

Image



General Information

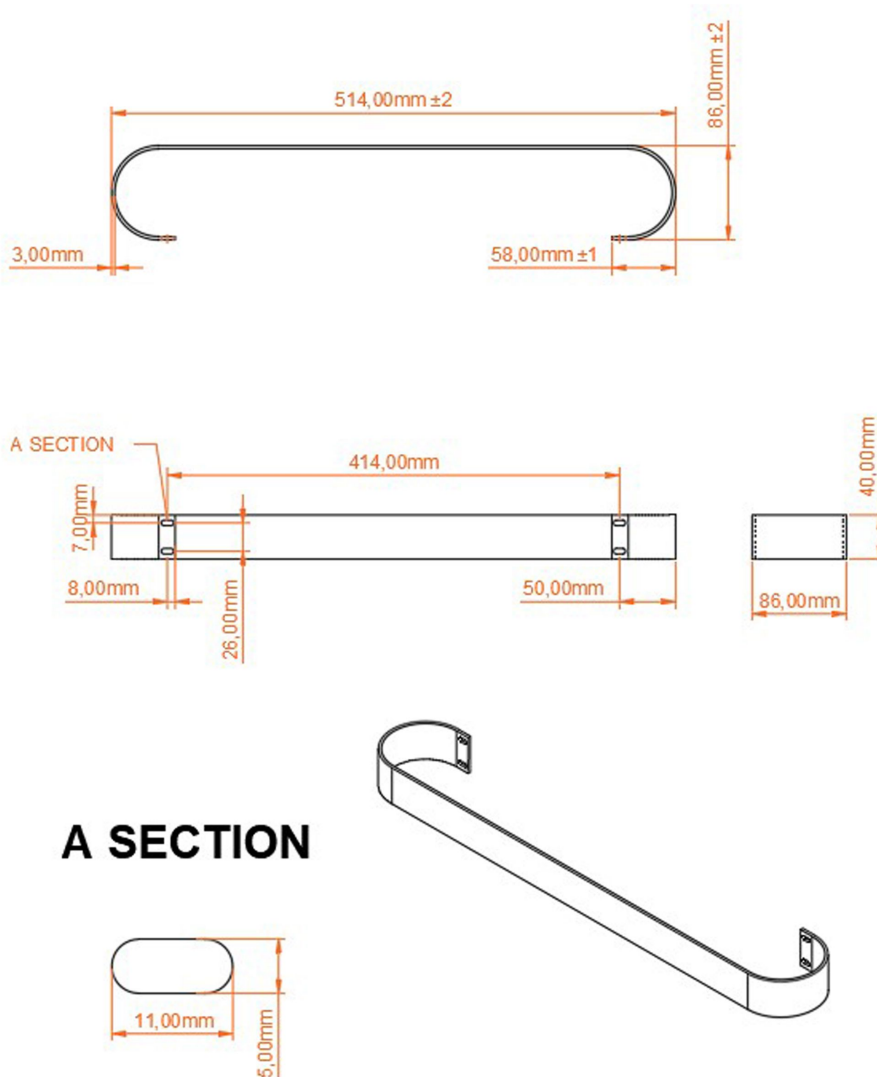
| | |
|------------------|----------------------------------|
| Product: | 89.0211 |
| Description: | Malmesbury Towel Hanger 470mm |
| Website Link: | (Click Here) |
| Product Type: | Towel Hanger |
| Brand: | Eastbrook Company |
| Colour: | Matt Anthracite |
| Material: | Mild Steel |
| Width (mm): | 470mm |
| Net Weight (kg): | 0.6kg |
| Product Range: | Malmesbury |

Product Specifications

| | |
|-----------|-----------|
| Warranty: | 1 Year(s) |
|-----------|-----------|

Drawing

Malmesbury Standard Towel Hanger 470mm. Technical Drawing



Eastbrook 
Eastbrook Road, Gloucester GL4 3DB
Technical Helpline : 01452 317890
Mon - Fri / 8am - 5pm
Email : technical@eastbrookco.com