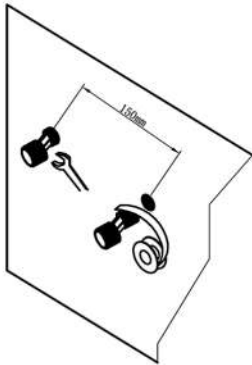


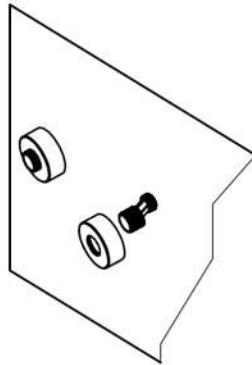


Eastbrook Road, Gloucester GL4 3DB

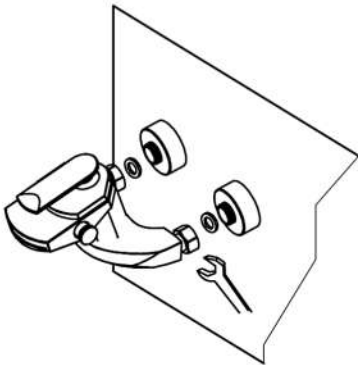
1. Fit off-set connectors to the water inlets in the wall. The distance between hot inlet and cold inlet should be 150mm.



2. Screw the concealing covers onto the off-set connectors until they come into contact with the wall.



3. Fix the connector of shower valve to the off-set connectors with spanner and make sure the sealing washer is in the backnut. Please use a cotton sheet inside of spanner in case of any scratches. Make sure hot inlet on the left and cold inlet on right, otherwise it will affect the performance.



4. Fix the bracket to the appropriate position and connect the shower hose to the mixer. (Installation complete)

