

DATASHEET

Image



General Information

Product:	41.0901
Description:	Imperia 2 Column Radiator 300 x 1010mm
Product Type:	Radiator
Brand:	Eastbrook Company
Colour:	Matt Black
Material:	Mild Steel
Height (mm):	300mm
Width (mm):	1010mm
Net Weight (kg):	13.05kg
Product Range:	Imperia

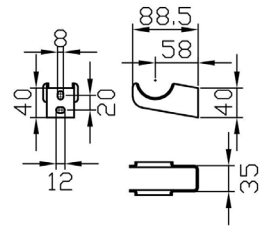
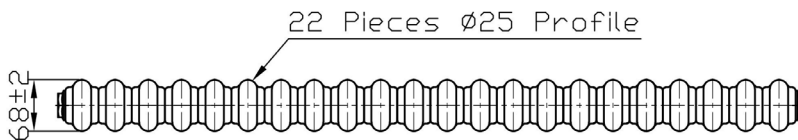
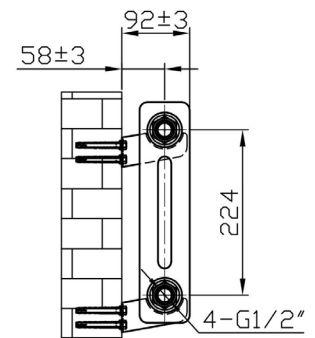
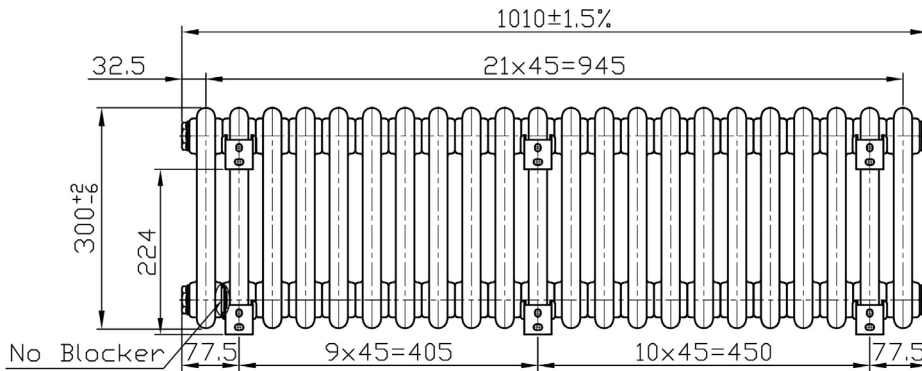
Product Specifications

Warranty:	5 Year(s)
Finish:	Matt
BTU $\Delta T50^{\circ}\text{C}$:	1801
BTU $\Delta T60^{\circ}\text{C}$:	2282
Watts $\Delta T50^{\circ}\text{C}$:	528
Watts $\Delta T60^{\circ}\text{C}$:	669

Drawing

Imperia 2 Column Horizontal 300 x 1010mm. Painted Technical Drawing

Unit: mm



Eastbrook 
Eastbrook Road, Gloucester GL4 3DB
Technical Helpline : 01452 317890
Mon - Fri / 8am - 5pm
Email : technical@eastbrookco.com