

DATASHEET

Image



General Information

Product:	41.1002
Description:	Coln 510 x 680
Website Link:	(Click Here)
Product Type:	Towel Rail
Brand:	Eastbrook Company
Colour:	Chrome/Gloss White
Material:	Mild Steel
Height (mm):	510mm
Width (mm):	680mm
Net Weight (kg):	16.3kg
Product Range:	Coln

Product Specifications

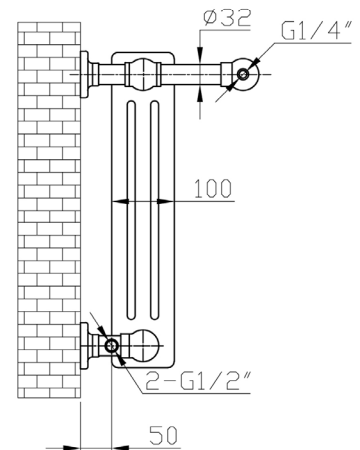
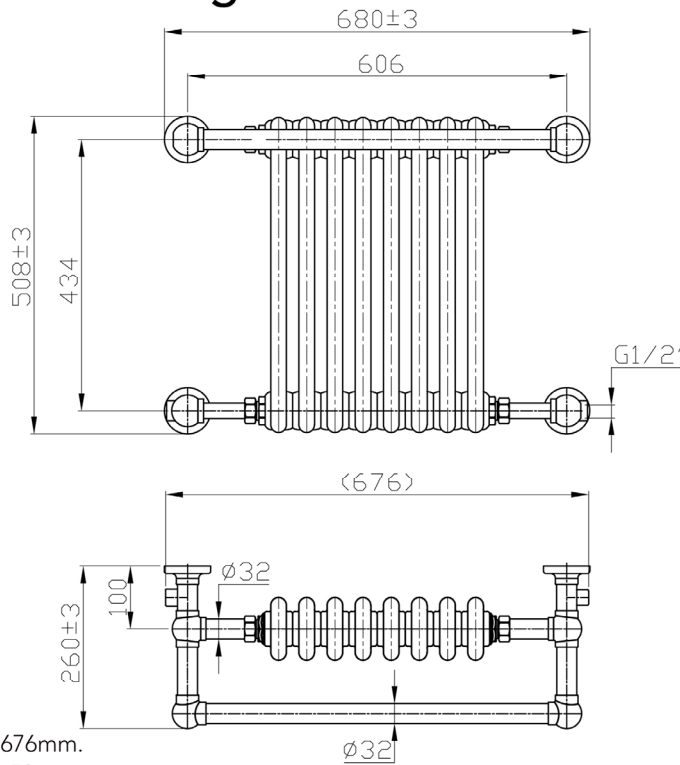
Warranty:	5 Year(s)
Supplied with fixings:	Yes
BTU $\Delta T50^{\circ}\text{C}$:	1876
BTU $\Delta T60^{\circ}\text{C}$:	2402
Watts $\Delta T50^{\circ}\text{C}$:	550
Watts $\Delta T60^{\circ}\text{C}$:	704

Drawing

41.1002 Coln technical drawing

The TRADITIONAL Range

Unit: mm



Tappings : 676 mm.
Tappings from wall : 50 mm.
Distance from wall : 260 mm.

This product should be fitted by a fully qualified installer.

Eastbrook

Eastbrook Road, Gloucester GL4 3DB
Technical Helpline : 01452 317890
Mon - Fri / 8am - 5pm
Email : technical@eastbrookco.com