

## DATASHEET

### Image



### General Information

Product:	54.0018
Description:	Angle Designer TRV with Lock-shield 15mm
Website Link:	<a href="#">(Click Here)</a>
Product Type:	Radiator Valve
Brand:	Eastbrook Company
Colour:	Matt Black
Material:	Brass + Plastic
Net Weight (kg):	0.47kg
Product Range:	Radiator Valves

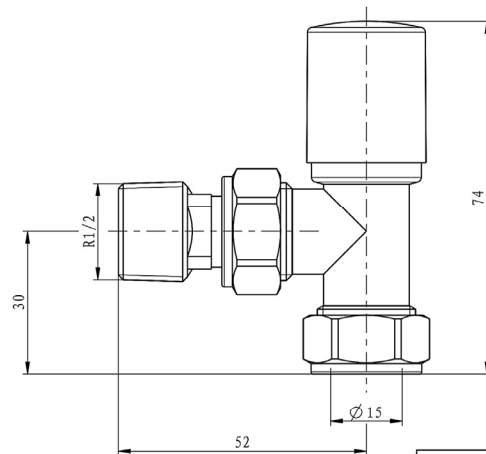
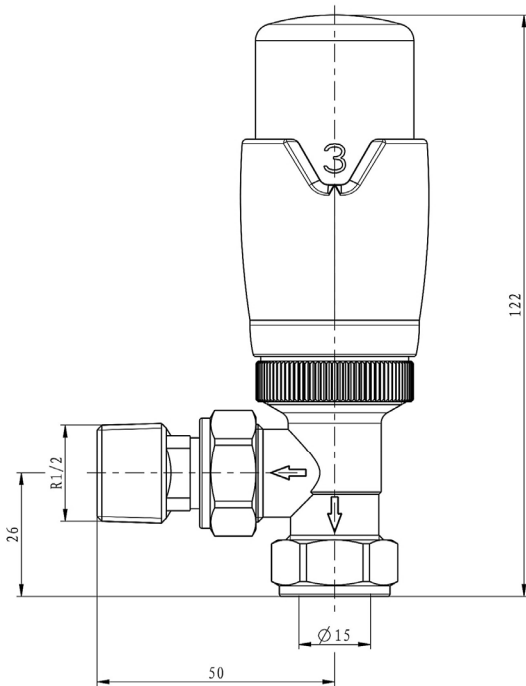
### Product Specifications

Warranty:	2 Year(s)
Valve Types:	Angled

## Drawing

### Angle Designer TRV with Lockshield 15mm Technical Drawing

**54.0002 - 54.0006**  
**54.0016 - 54.0017**  
**54.0018**



**Eastbrook**   
Eastbrook Road, Gloucester GL4 3DB  
Technical Helpline : 01452 317890  
Mon - Fri / 8am - 5pm  
Email : technical@eastbrookco.com