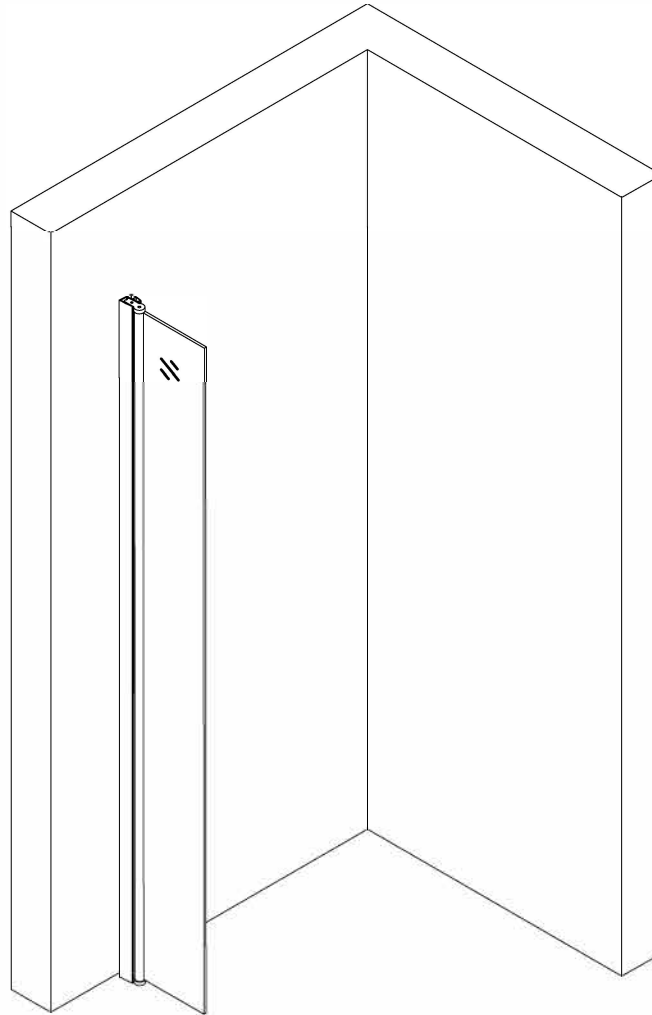


Flipper Panel

L

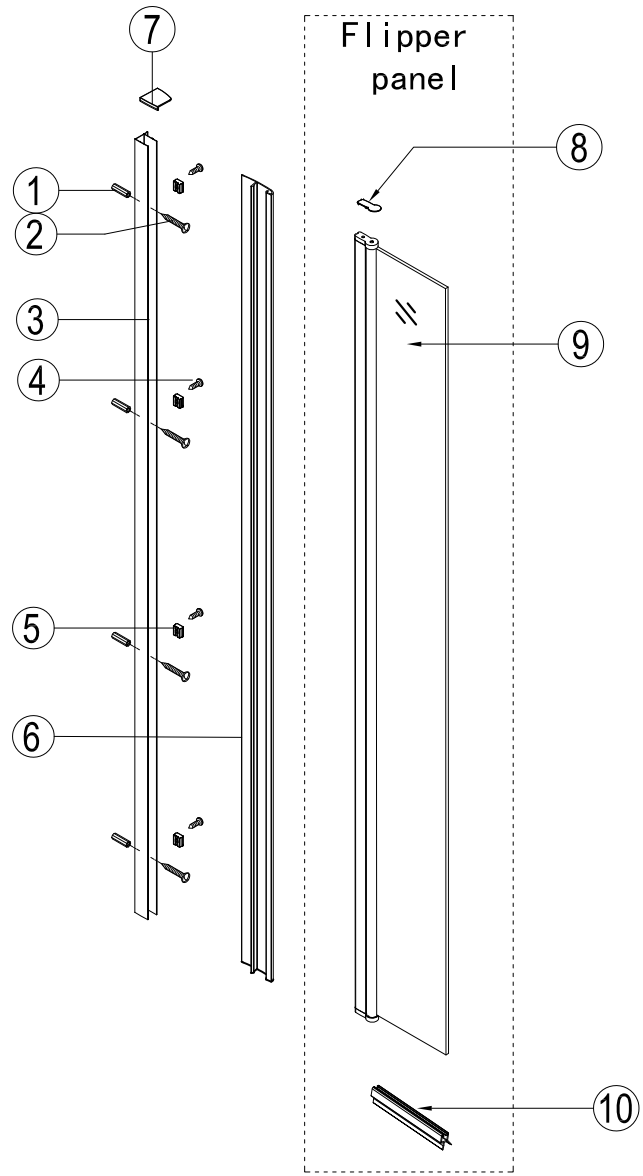


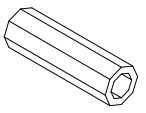
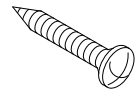
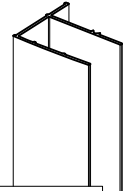

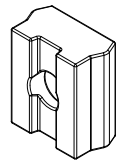
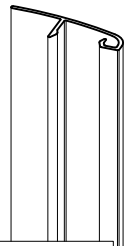
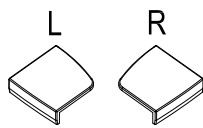

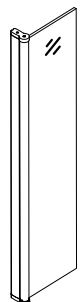
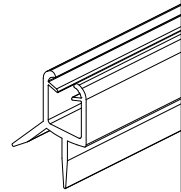
Eastbrook 

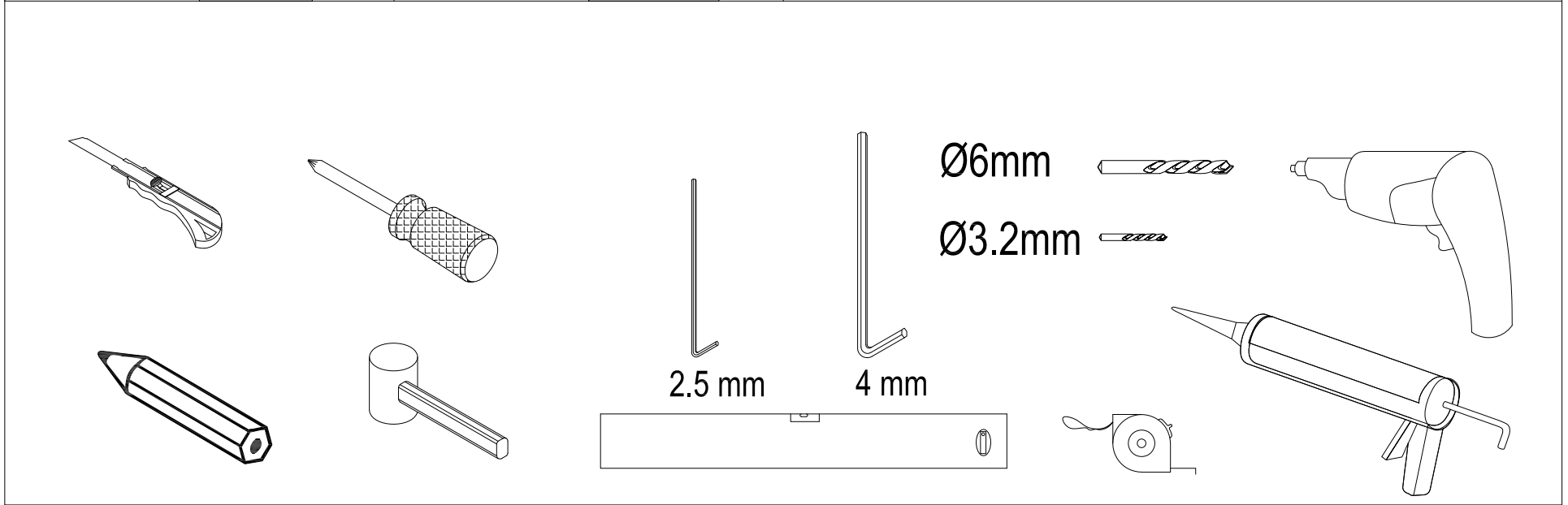
Eastbrook Road, Gloucester G4 3DB

Technical Helpline: 01452 317890

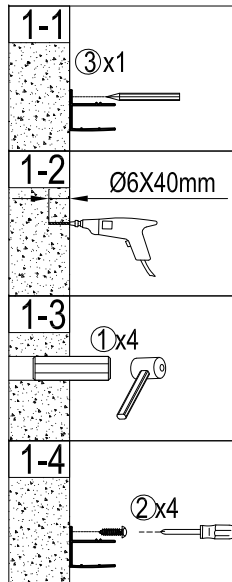
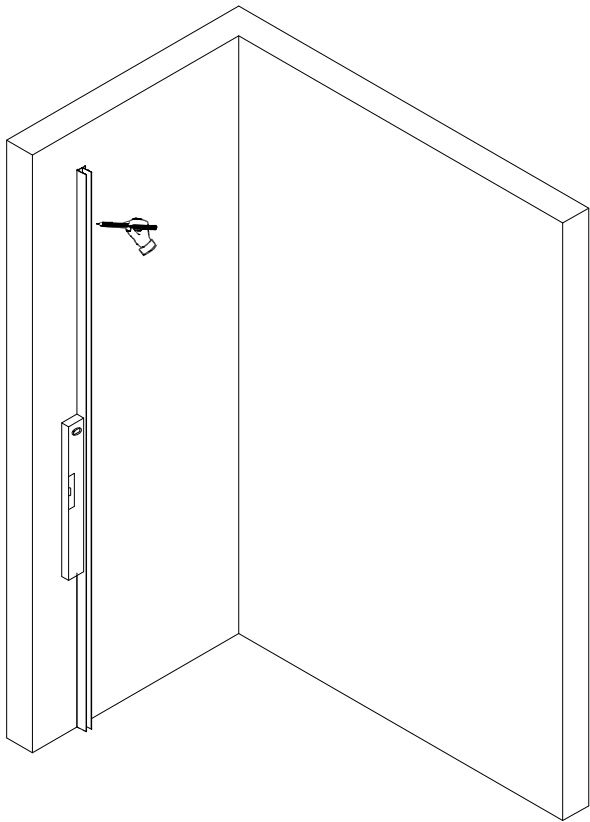
email: technical@eastbrookco.com



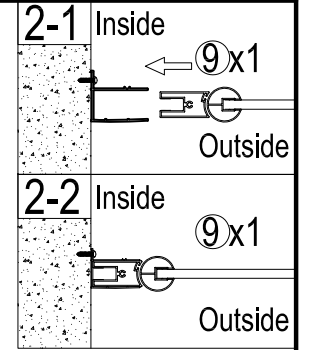
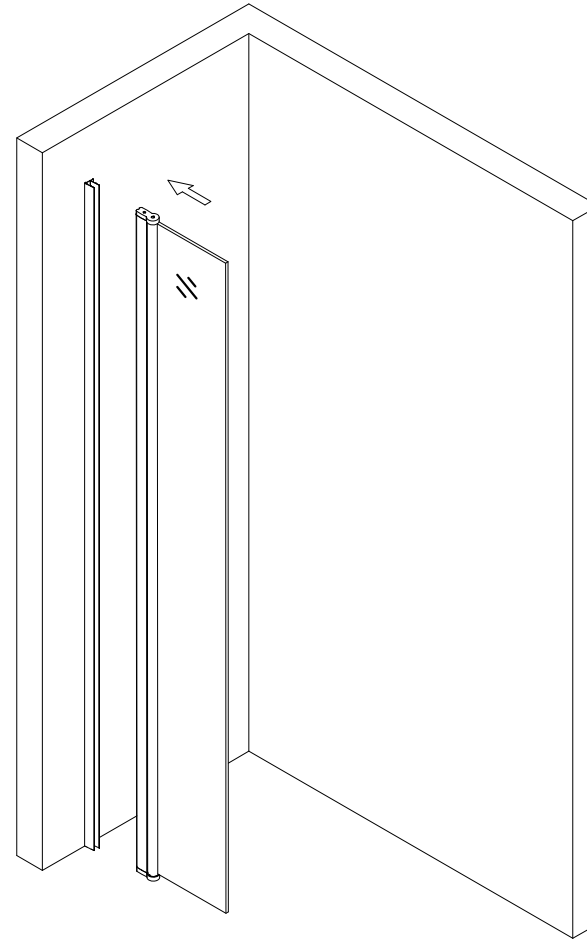
	1 Ø6x30  D6x30 4Pcs	2 ST4x30  ST4x30 4Pcs	3  CRSF-W04 1Pc	4 ST4x12  ST4x12 4Pcs	5  CRF-6Y01 4Pcs	6  CRSF-W05 1Pcs	7 L R  CRSF-S03 2Pcs	
Flipper panel	8  CRSF-S02 1Pc	9  CRSF-Z02 1Pc	10  CRSF-Z02 1Pc					



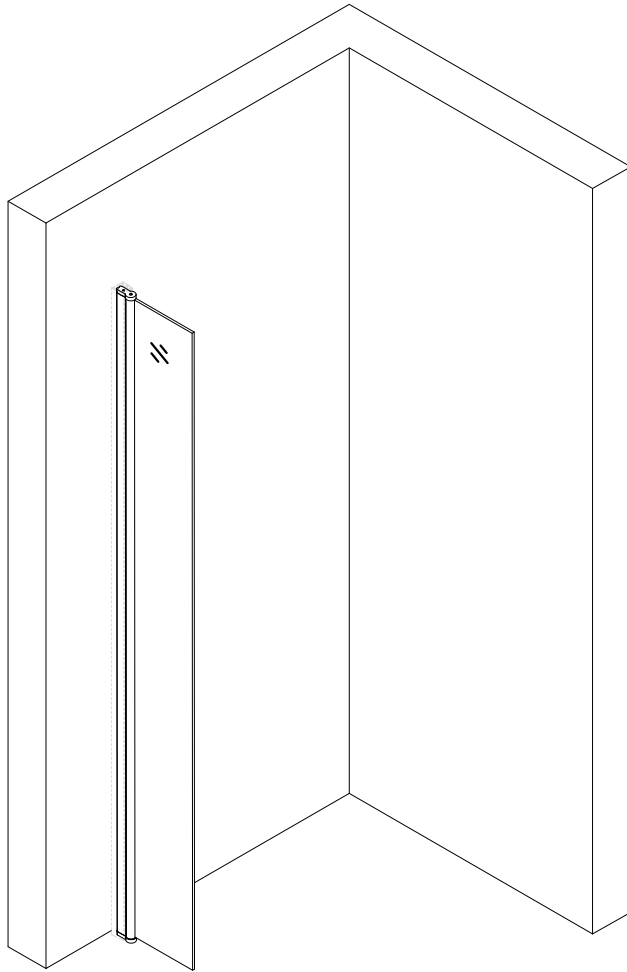
1L



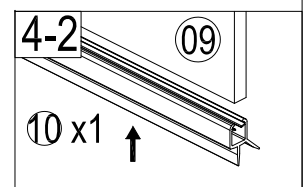
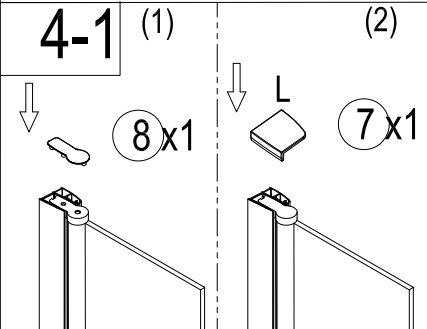
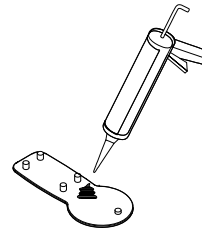
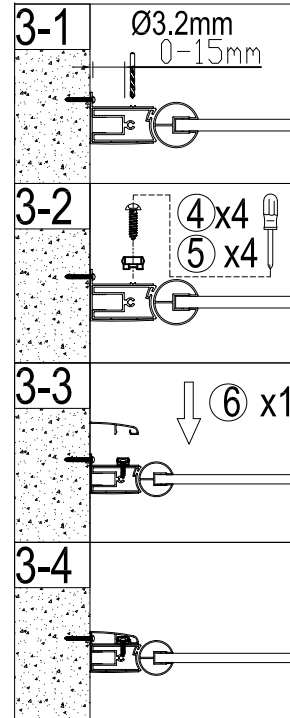
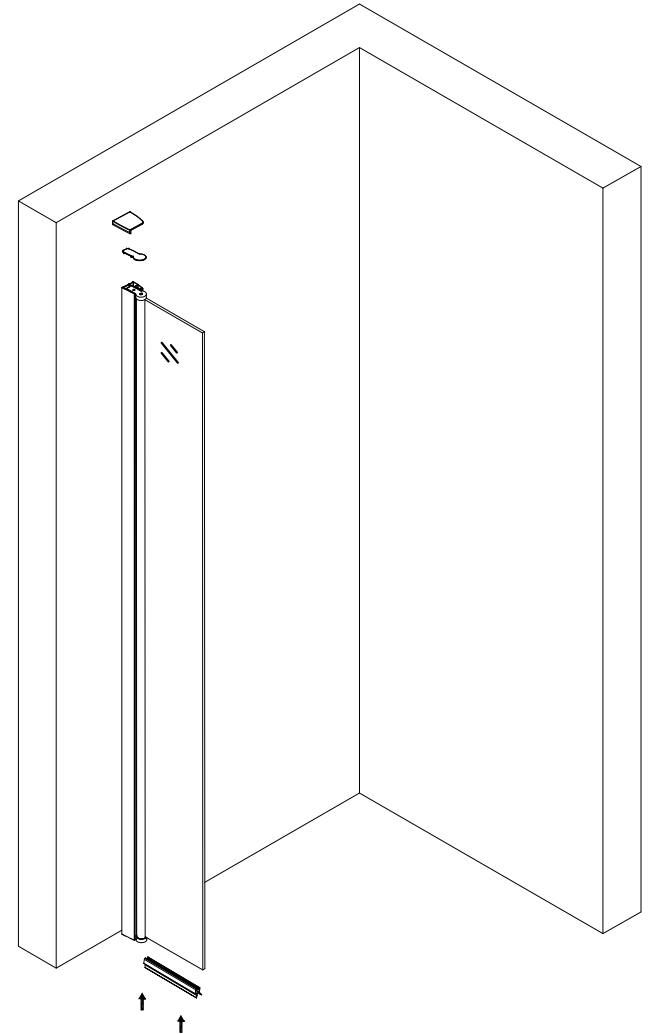
2L



3L



4L

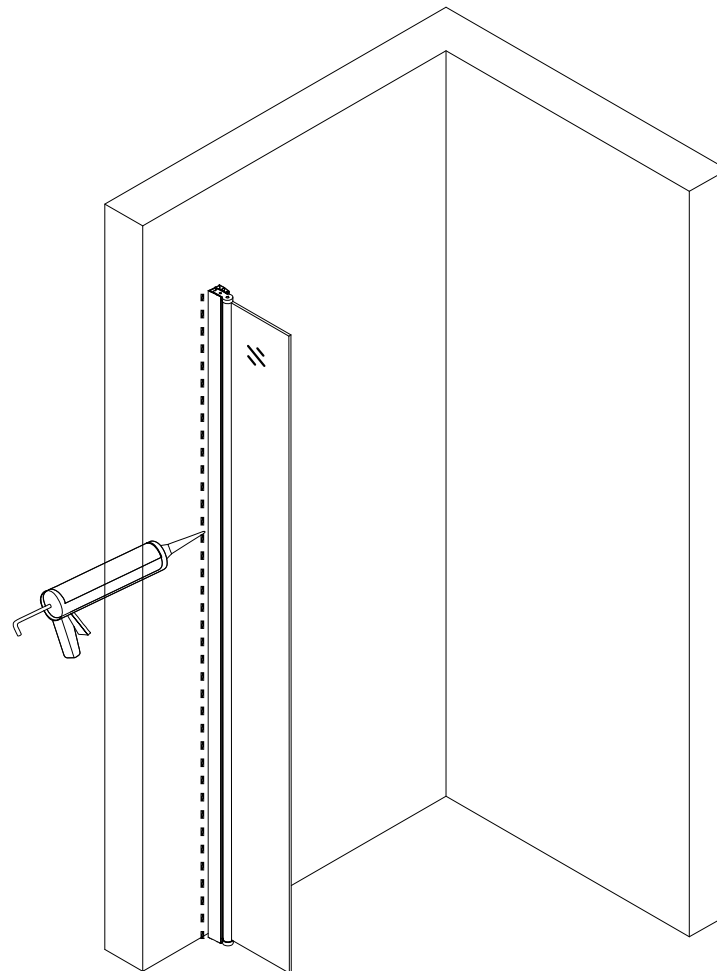


Care Instructions:

Do not use your shower enclosure within 24 hours of assembly . Do not use caustic cleaning products or abrasive material whencleaning your shower enclosure.



5L



Eastbrook

Eastbrook Road, Gloucester GL4 3DB

Technical Helpline: 01452 317890

Email: technical@eastbrookco.com

Cleaning and Maintenance of Shower Enclosures

Do not clean the shower enclosure with irritant detergents such as alcohol, bleach or other chemical cleaners.

Only clean with mild soapy water or a proprietary cleaner where the label advises it is suitable for the materials the enclosure is constructed from. Test on a small area first.

For treating limescale we would recommend distilled vinegar in a half and half solution with water.

Following installation should you find that there is a notable noise when the glass door moves you may add a small amount of silicon lubricant onto the roller wheels and tracks, hinges or clips.

It is the responsibility of the product owner to maintain the product as recommended above. Also, to check for parts which have broken or become loose to protect against failure of the enclosure.

49. 7076

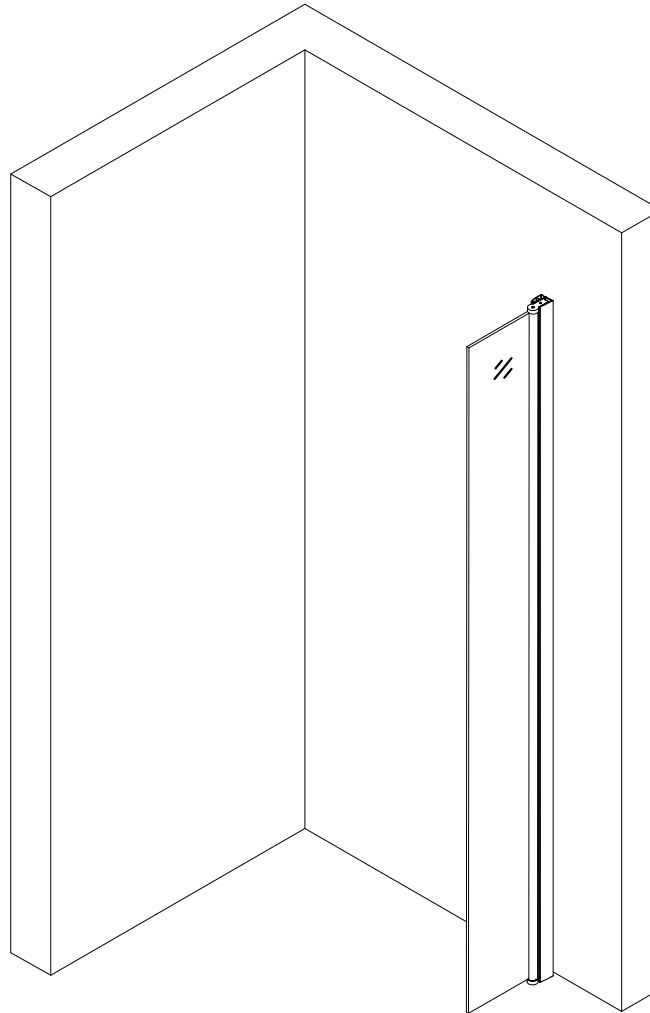
R

Eastbrook 

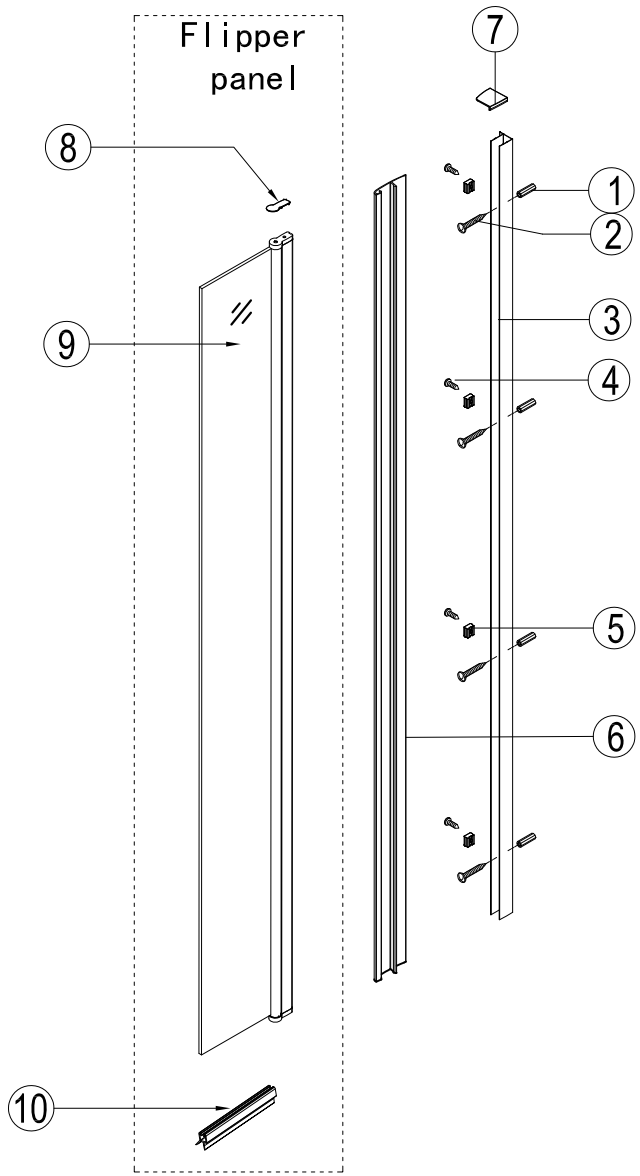
Eastbrook Road, Gloucester GL4 3DB

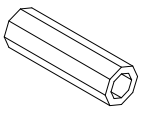
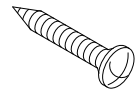
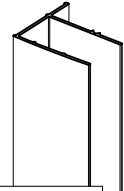

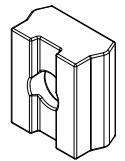
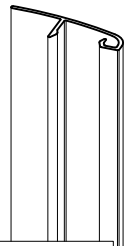
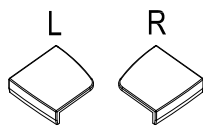

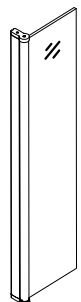
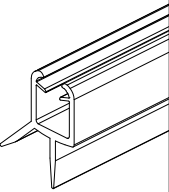
Technical Helpline: 01452 317890

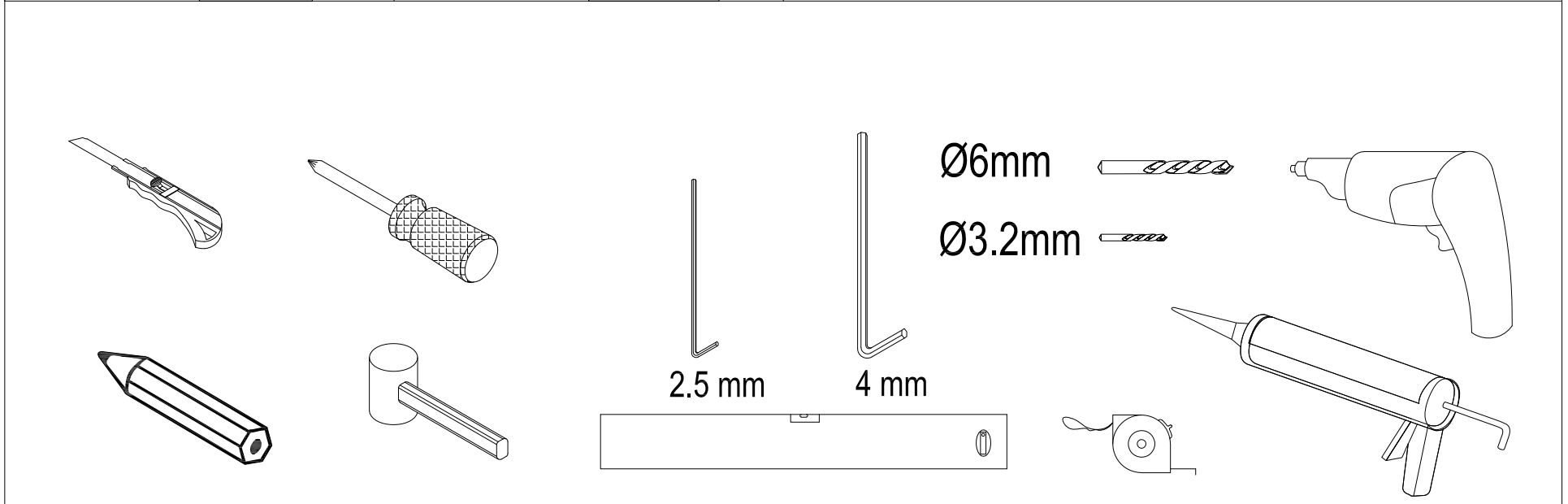
email: technical@eastbrookco.com



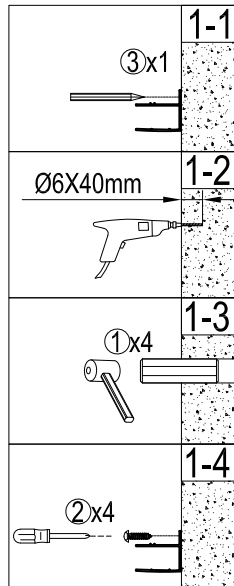
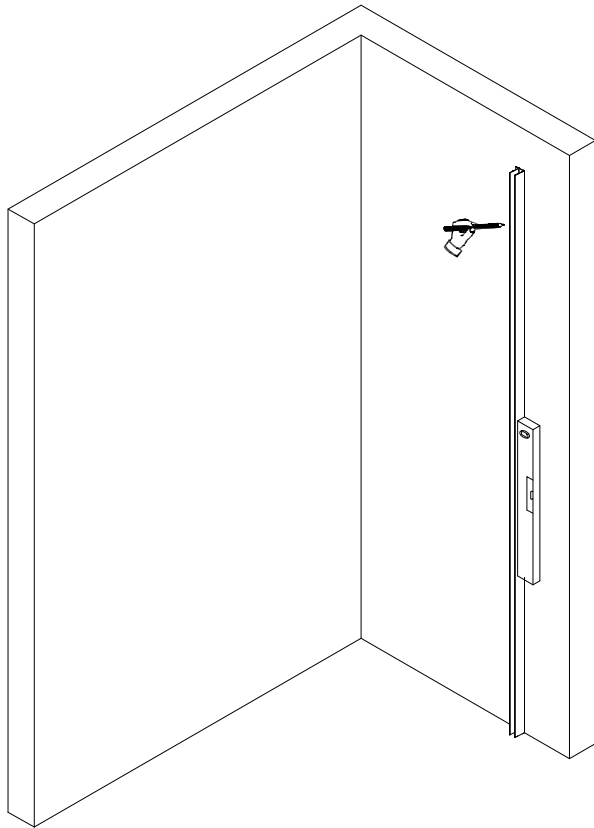
Flipper
panel



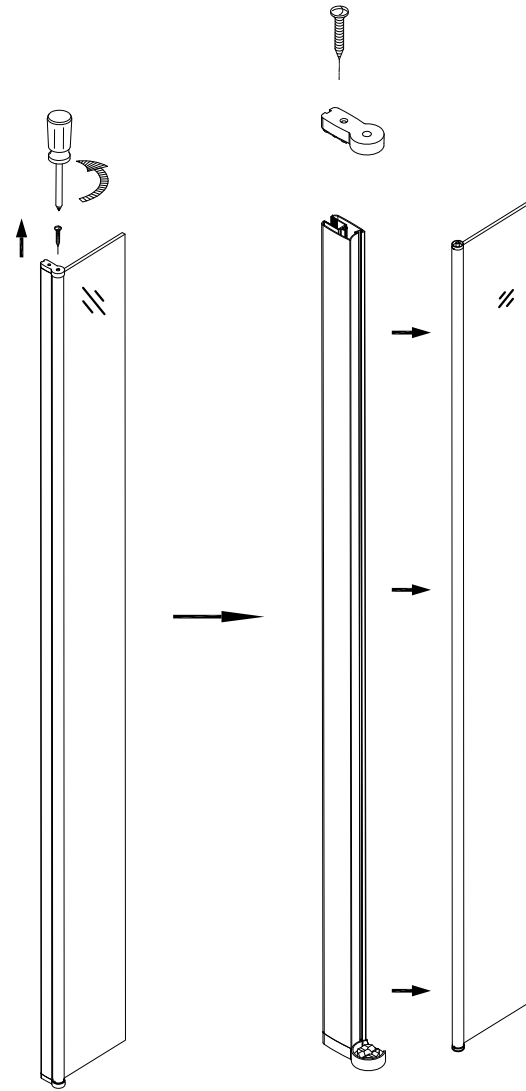
	1 Ø6x30  D6x30 4Pcs	2 ST4x30  ST4x30 4Pcs	3  CRSF-W04 1Pc	4 ST4x12  ST4x12 4Pcs	5  CRF-6Y01 4Pcs	6  CRSF-W05 1Pcs	7 L R  CRSF-S03 2Pcs	
Flipper panel	8  CRSF-S02 1Pc	9  CRSF-Z02 1Pc	10  CRSF-Z02 1Pc					



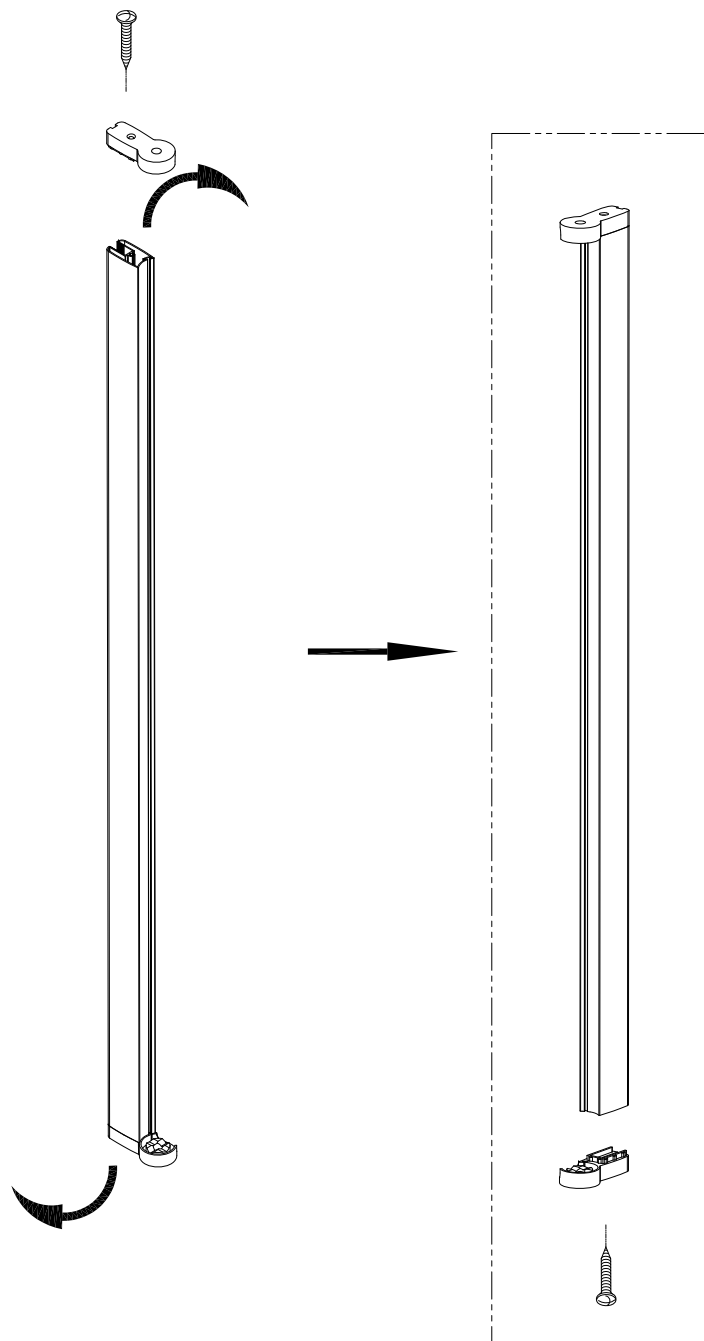
1R



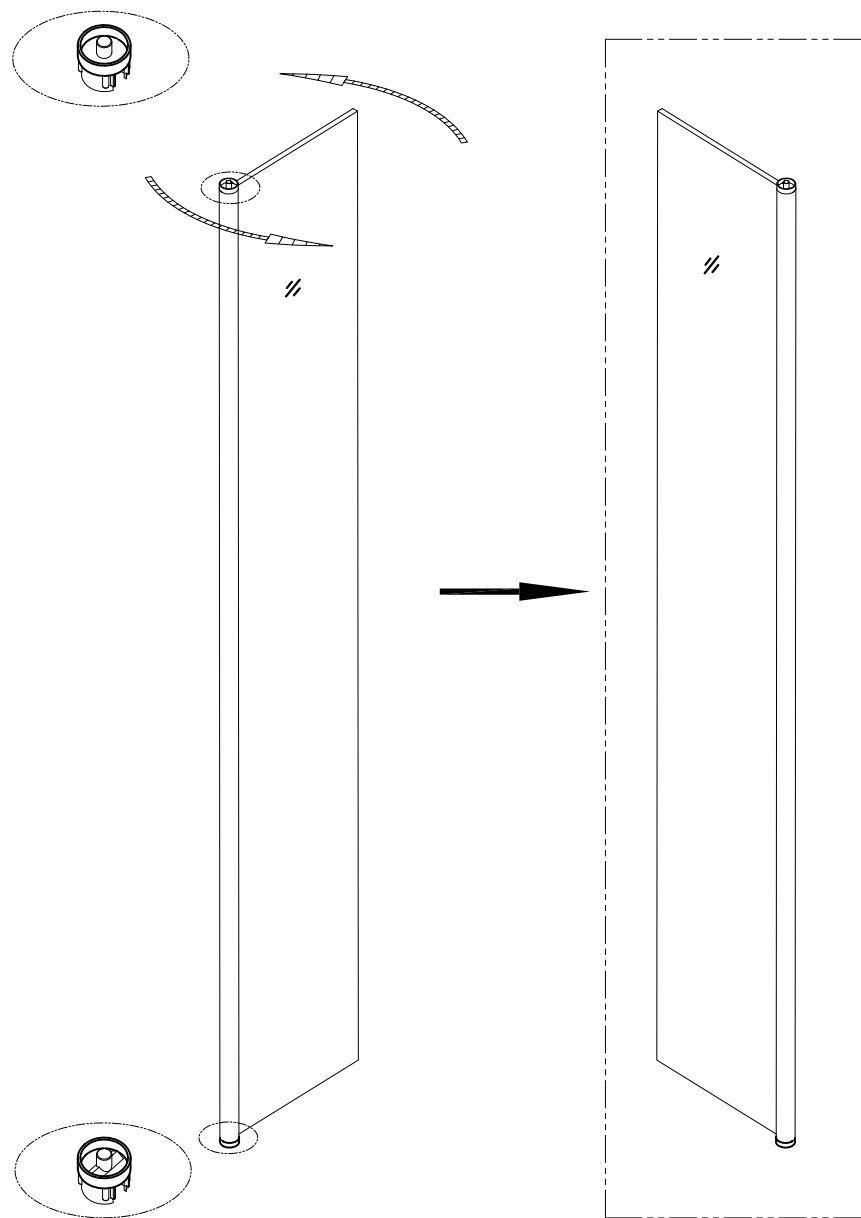
2R



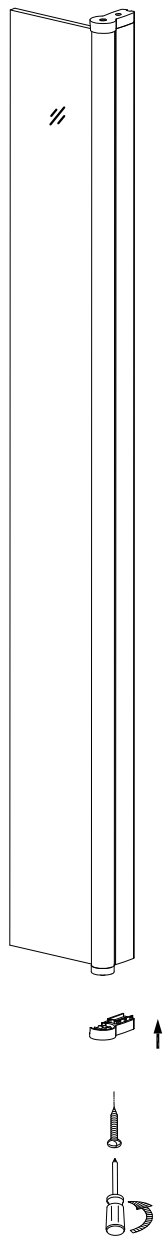
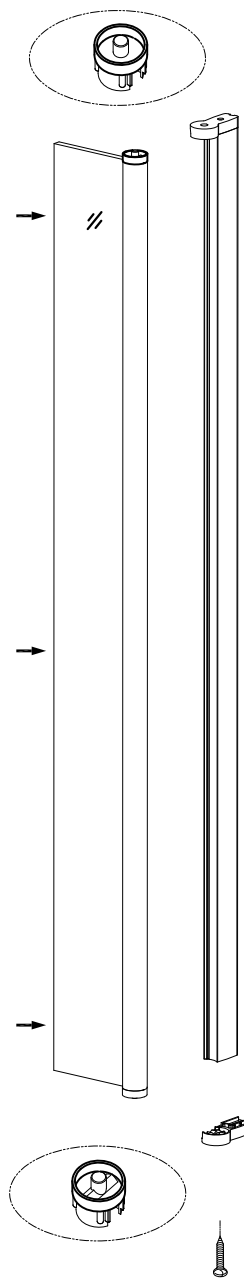
3R



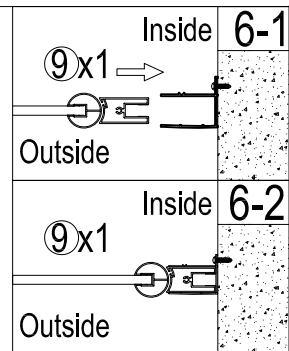
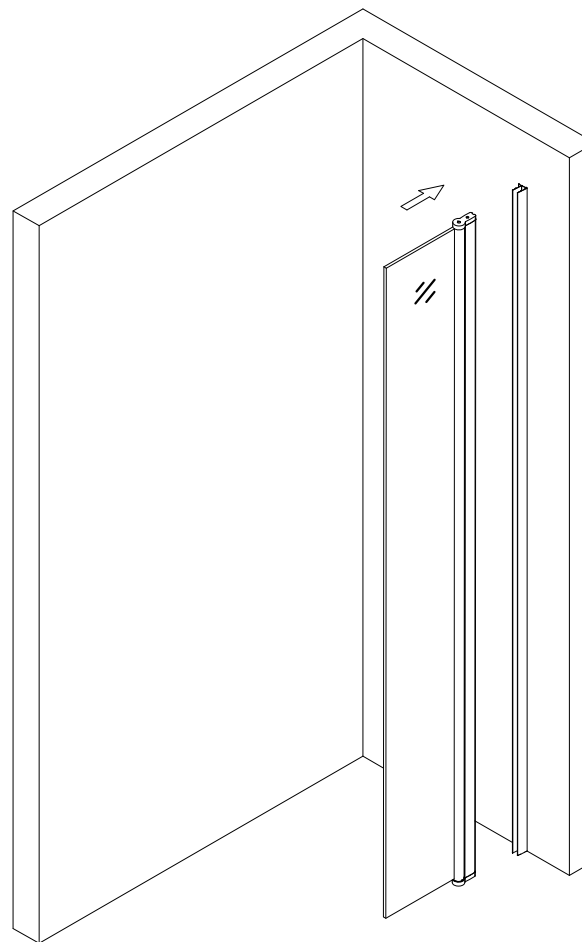
4R



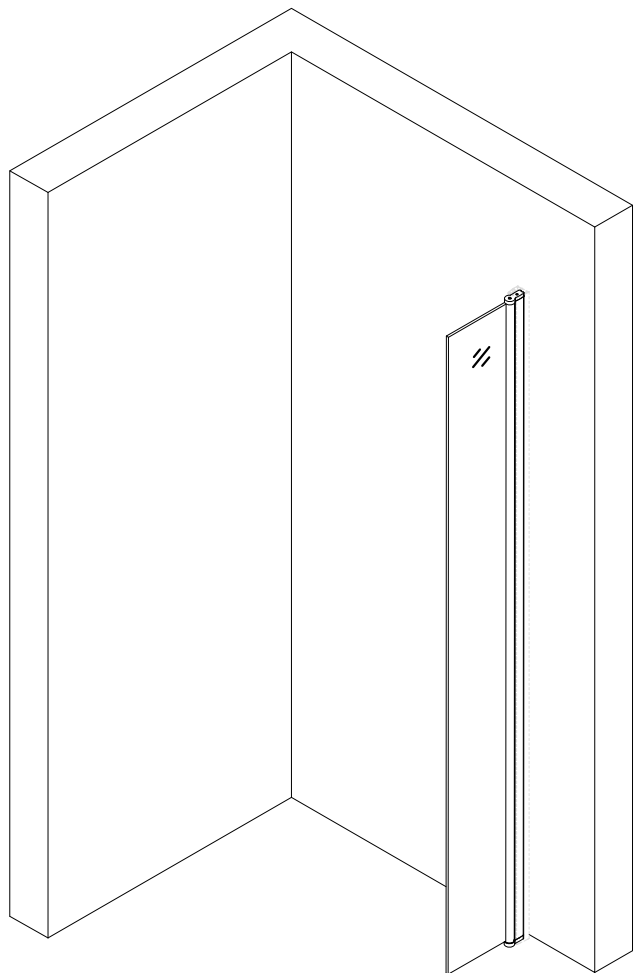
5R



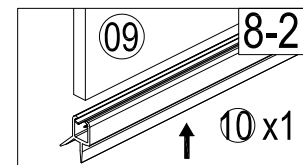
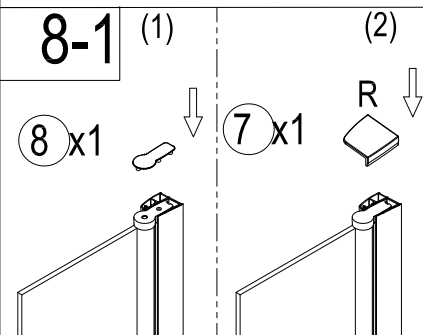
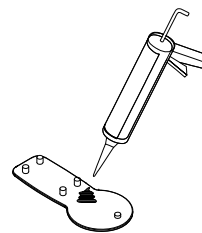
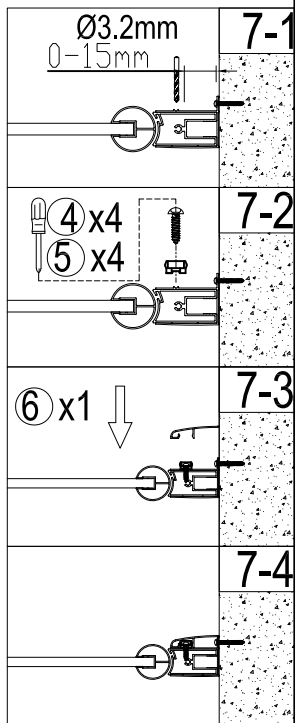
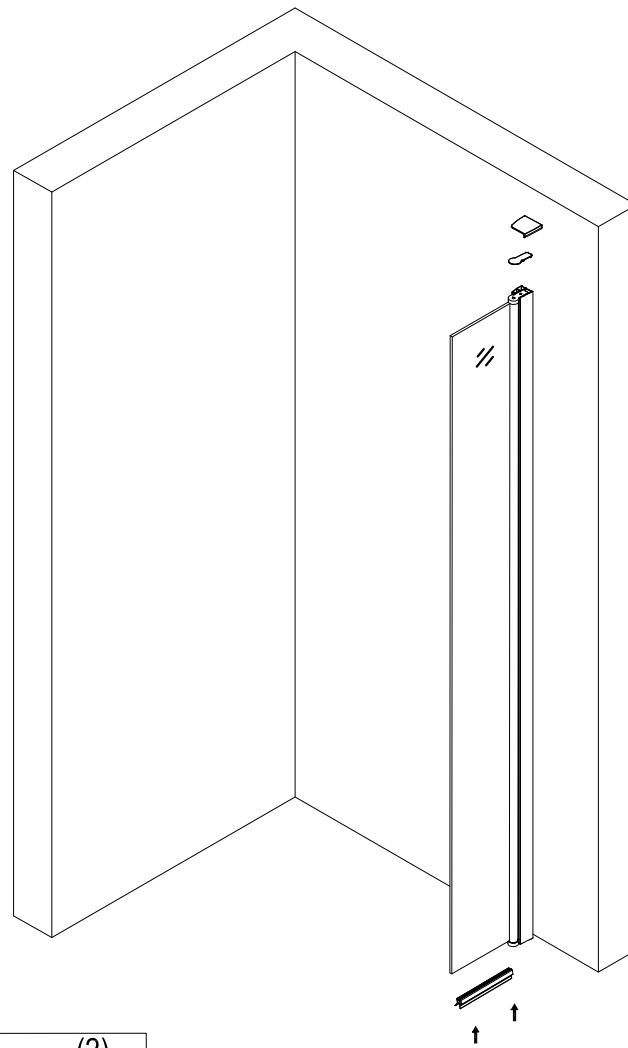
6R



7R



8R

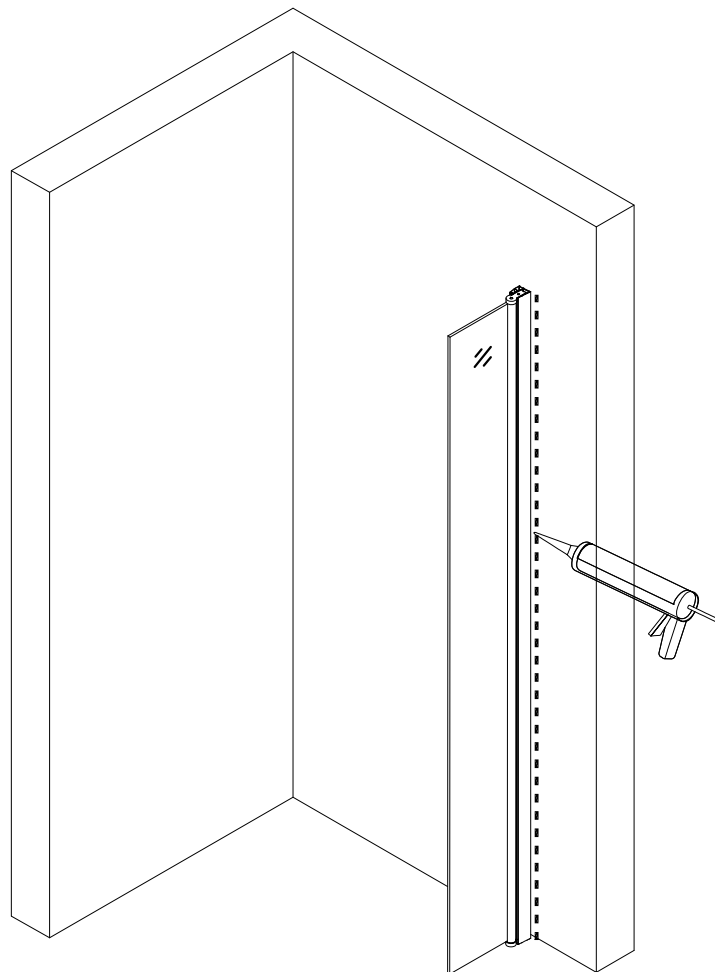


Care Instructions:

Do not use your shower enclosure within 24 hours of assembly . Do not use caustic cleaning products or abrasive material whencleaning your shower enclosure.



9R



Eastbrook

Eastbrook Road, Gloucester GL4 3DB

Technical Helpline: 01452 317890

Email: technical@eastbrookco.com

Cleaning and Maintenance of Shower Enclosures

Do not clean the shower enclosure with irritant detergents such as alcohol, bleach or other chemical cleaners.

Only clean with mild soapy water or a proprietary cleaner where the label advises it is suitable for the materials the enclosure is constructed from. Test on a small area first.

For treating limescale we would recommend distilled vinegar in a half and half solution with water.

Following installation should you find that there is a notable noise when the glass door moves you may add a small amount of silicon lubricant onto the roller wheels and tracks, hinges or clips.

It is the responsibility of the product owner to maintain the product as recommended above. Also, to check for parts which have broken or become loose to protect against failure of the enclosure.