

## DATASHEET

### Image



### General Information

Product:	54.0008
Description:	Angle Traditional TRV with Lock-shield 15mm
Website Link:	<a href="#">(Click Here)</a>
Product Type:	Radiator Valve
Brand:	Eastbrook Company
Colour:	Chrome
Net Weight (kg):	0.75kg
Product Range:	Radiator Valves

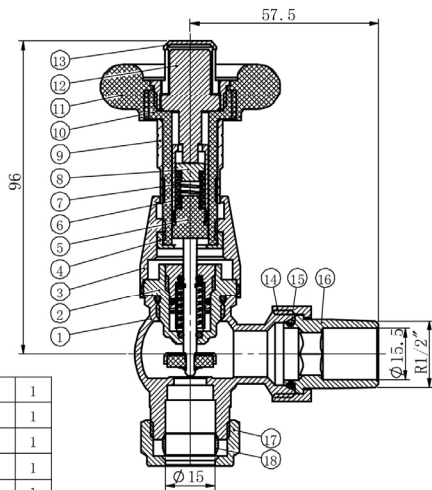
### Product Specifications

Warranty:	2 Year(s)
Valve Types:	Angled

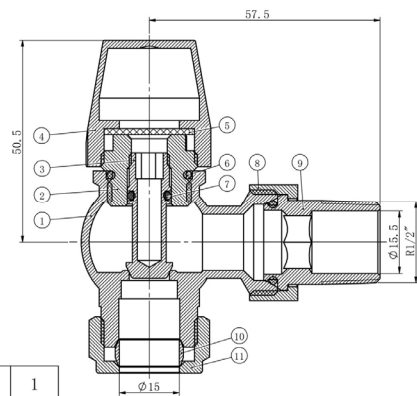
**Drawing**

**Angle Traditional TRV with Lockshield 15mm  
 Technical Drawing**

**54.0008 & 54.0009**



18	Olive	1
17	Hex Nut	1
16	Tail	1
15	O Ring	1
14	Hex Nut	1
13	Fixed cap	1
12	Solid Sensor	1
11	Handwheel	1
10	Connector	1
9	Scale ring	1
8	Spring base	1
7	Tube	1
6	Spring	1
5	Stop End	1
4	Locking Nut	1
3	Cover	1
2	Cartridge	1
1	Angle TRV Body	1
No	Description	QTY



11	Hex Nut	1
10	Olive	1
9	Tail	1
8	Hex Nut	1
7	O Ring	1
6	O Ring	2
5	Washer	1
4	Cap	1
3	Stem	1
2	Cartridge	1
1	Body	1
No	Description	QTY

**Eastbrook**   
 Eastbrook Road, Gloucester GL4 3DB  
 Technical Helpline : 01452 317890  
 Mon - Fri / 8am - 5pm  
 Email : technical@eastbrookco.com