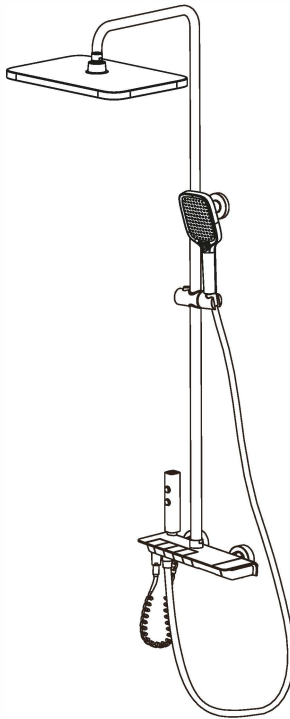




Exposed Thermostatic Shower Set General Installation Instruction



Head Shower, Hand Shower & Mixer may vary,
depending on model chosen.

Technical Helpline: 01452 317890
Open Mon - Friday, 8am - 5pm

technical@eastbrookco.com

MUST READ – IMPORTANT

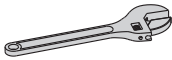


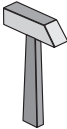


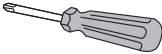

We highly recommend this instruction is read carefully before you start installation. And please retain it after installation for future reference and maintenance.

First, open the box and check all items are present as per this instruction.

Also make sure any other items that you need are available too for e.g. compression fittings, wrench, PTFE tape.

Installation must comply with Local/ National supply regulations/ Authority and byelaws inc. Building and Plumbing regulations.

YOU MAY NEED

OPERATING SPECIFICATIONS

Hot Water Supply Temperature

Maximum:85°C

Minimum hot water supply temperature:10°C higher than the maximum required mixer temperature.

Operating Pressures:

Maximum operating pressure 5 bar

Minimum operating pressure 0.5 bar

GENERAL INSTALLATION

This is a mixing system and hot and cold supplies must be reasonably balanced for proper flow (outlet).

Prior to making the inlet connections; please ensure all pipes are properly and thoroughly flushed to clear any debris etc.



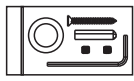


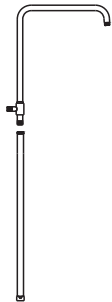

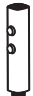




You should satisfy yourself that this is clean. Failure to do so may result in a low flow rate from mixing device.

We strongly recommend fitting of isolating valves to the inlet pipes to assist in future maintenance of the mixer.

Please take great care when installing this valve not to damage its surface.

Use a reducer to the inlet feeds if water pressure is above 5 bar.

PARTS LIST

					
Offset connector	Wall bracket	Fitting bag	Handshower	Telephone line hose	
2pcs	1pc	1set	1pc	1pc	
					
Ornament cover	Spray gun	Showerhead	Mixer	Hose	Riser rail
2pcs	1pc	1pc	1pc	1pc	1pc
	Instruction manual		1pc		

PARTS FUNCTION

Showerhead

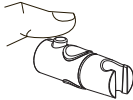
It can rotate up and down or back and forth to adjust the angle of the showerhead. The plane rotation angle is 360° and the vertical rotation angle is 30°

Handshower

It can be held in the hand to wash, and the water angle of hand shower can be adjusted by turning the handshower holder

Slider

Used to place the handshower. Push down the button and slide up and down to adjust the handshower height



Spray gun

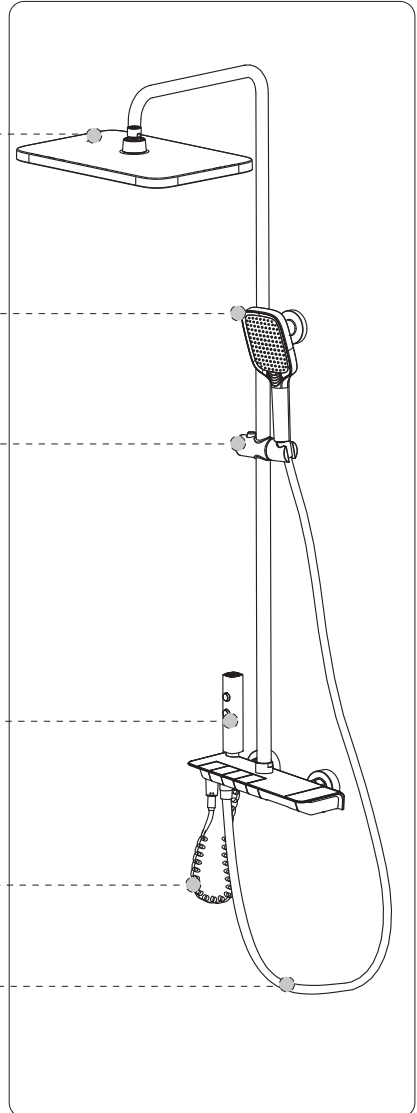
Can be held in the hand to wash

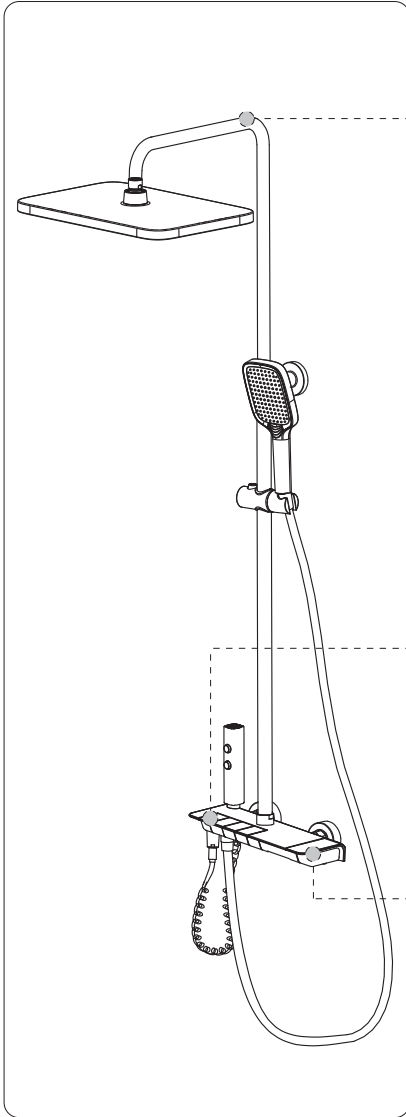
Telephone line hose

Natural length around 300mm, stretched length up to 1200mm

Hose

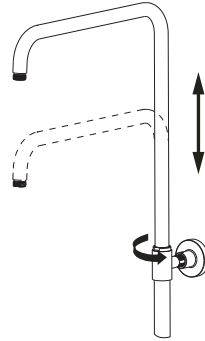
Length 1500mm





Riser rail

Adjustable height of riser rail by pulling up and down the elbow pipe



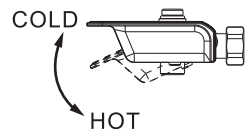
Piano keys

Press down to switch the water outlets



Temperature control handle

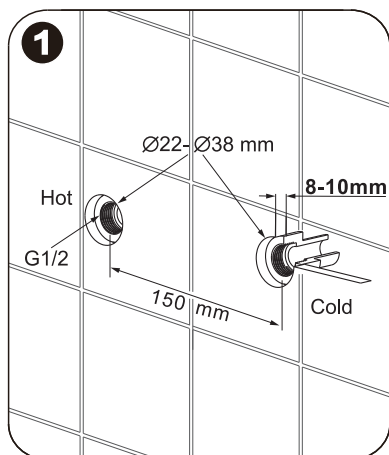
Rotate to adjust the water temperature



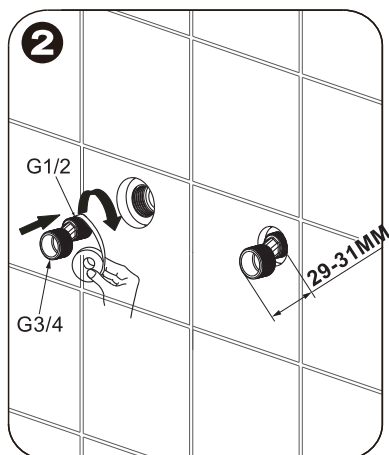
INSTALLATION

Clear/ Rinse pipework thoroughly and carefully for a reasonable amount of time prior to fitting the valve. No dirt, metal, wood shavings, debris or foreign material should block the filters fitted on the inlets of the valve.

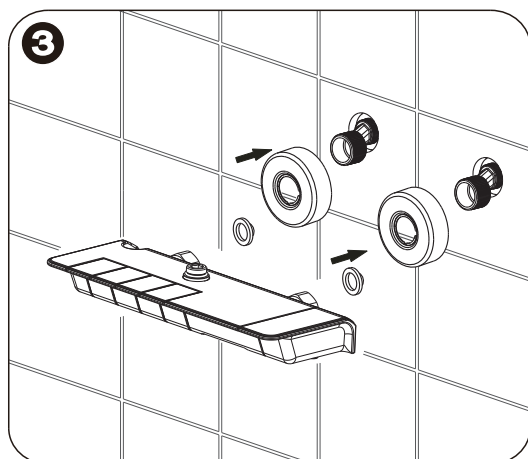
WARNING: Before drilling any holes, ensure no cables or pipes are in the way.



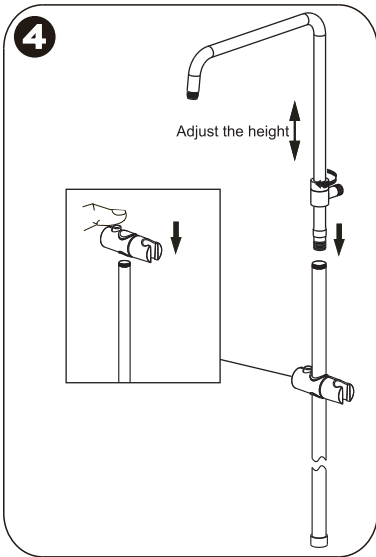
1. Inlet pipework should be at 150mm pipe centers.



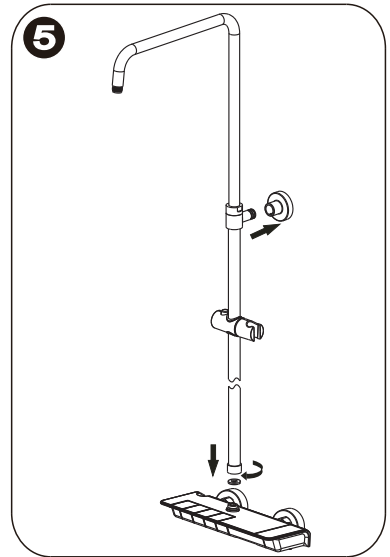
2. Wrap PTFE tape to the offset connectors and fix to the wall pipe.



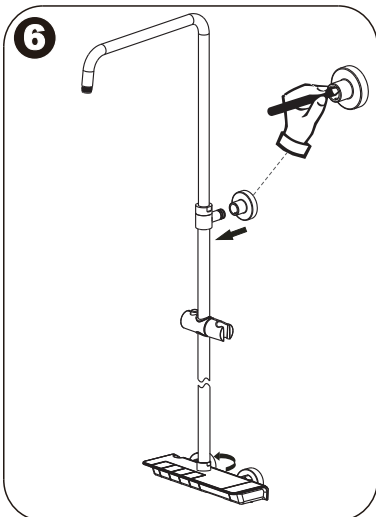
3. Fix the ornament covers to the offset connectors, put the washers into the hex nuts, and then fix the shower mixer to the offset connectors. (Please check the hot inlet is with a red mark and the cold inlet with a blue mark).



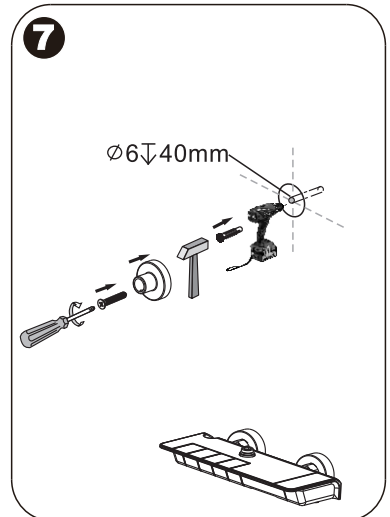
4. Fit the slider onto the straight pipe, then insert the elbow pipe and push firmly to engage the O-ring seal into straight pipe, screw the straight pipe into the bracket. Loosen the locking nut on bracket to adjust the desired shower rail height and re-tighten.



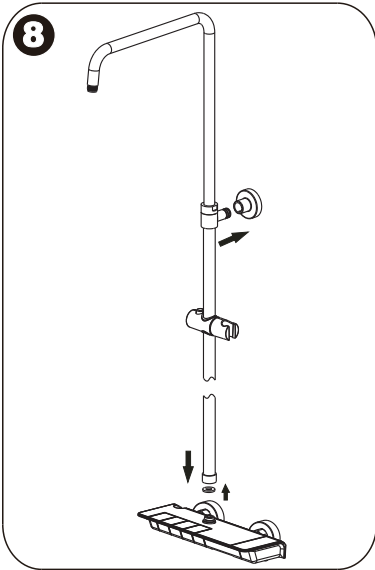
5. Slide the wall holder onto the bracket rod and loosely attach the shower rail onto the bar valve with gasket.



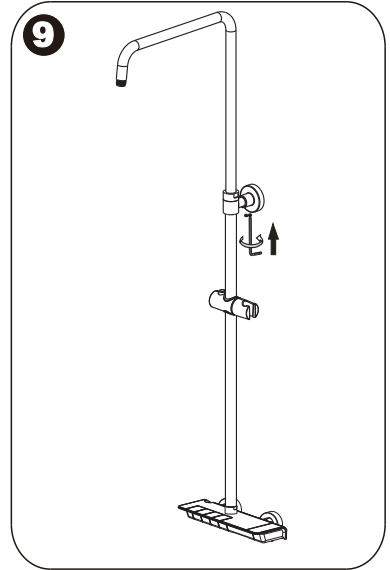
6. Position the wall holder with bracket and use a level to ensure the shower rail is straight. Mark the fixing point and then remove the shower rail and set aside.



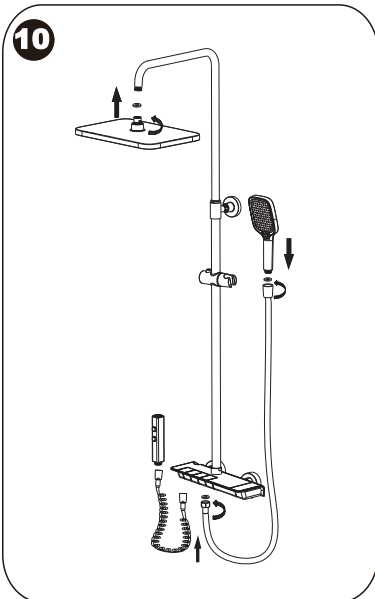
7. Drill and insert the wall plug into the wall, then fix the holder by tapping screw supplied.



8. Reposition the riser rail onto the mixer outlet - hand tighten only.



9. Tilt the riser rail back and slot the bracket rod into the wall bracket, put in place by gently tightening the screw by hexagon spanner.

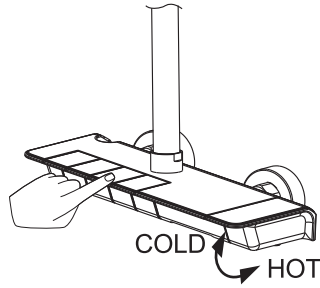


10. Tighten both ends of shower hose to the mixer and hand shower respectively.

Tighten both ends of the telephone line hose to the mixer and spray gun respectively.

Rotate the showerhead onto the elbow pipe.

11



11. Turn on the controlling valve to supply the hot and cold water, then press any piano keys, shut off the water and wait for 5 minutes to check whether the mixer is leaking or other anomalies.
12. Press the piano key to the showerhead, handshower, bath filler and spray gun to check whether there is any abnormal water leakage.
13. Turn the temperature handle fully clockwise, this is the maximum cold temperature position; ensure that the water runs cold. Turn the temperature handle fully anti-clockwise, this is the maximum hot temperature position; ensure that the water runs hot. Turn the temperature handle back to the central stop position and check that the water temperature settle at 38 Celsius by running the water for 5 mins.

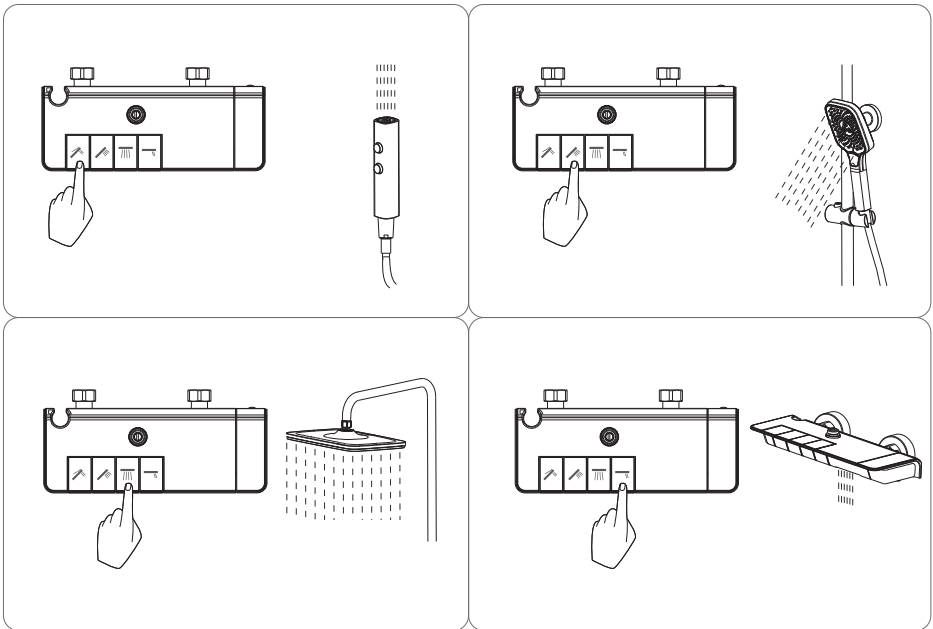
USAGE METHOD

1- Preparation before showing

Check the water temperature of the water heater to avoid low temperature and low water volume, which may affect its use.

2- The usage of the shower function keys

When the piano keys are in a horizontal line with the main body, the mixer is in a closed state. From left to right, press the first piano key to release the water from spray gun, press the second piano key to release the water from handshower, press the third piano key to release the water from showerhead, and press the fourth piano key to release the water from bathtub filler.



3- The usage of temperature regulating handle

There is a safety button, and the temperature corresponding to the 38 °C mark is about 38 °C. If you need a higher temperature, please press and hold down the button to rotate it downwards to adjust the temperature.

GENERAL MAINTENANCE

Cleaning the thermostatic cartridge

1. Before carrying out any maintenance, ensure the water supplies are isolated. Once isolated, turn the shower on to release internal pressure. If unsure contact a qualified tradesman.
2. Carefully remove the cap, loosen the screw or grub screw (using an allen key), then remove the temperature handle and spacer.
3. Note the position of the temperature override stop and thermostatic cartridge before removal as they must be refitted in the same position. Once noted, remove the temperature override stop from the cartridge. Remove build up of limescale or debris. and clean the thermostatic cartridge rinsing thoroughly under cold water to remove any.
4. If required, a replacement cartridge can be obtained by contacting the Customer Helpline.
5. Refit the cartridge into the mixer, then refit the temperature override stop.
6. Refit the spacer and temperature handle by depressing the temperature override safety button and carefully pushing the handle into place with the button at the 6 o'clock position. Tighten the screw and fit the cap.
7. Reinststate the water supply and ensure there are no leaks.

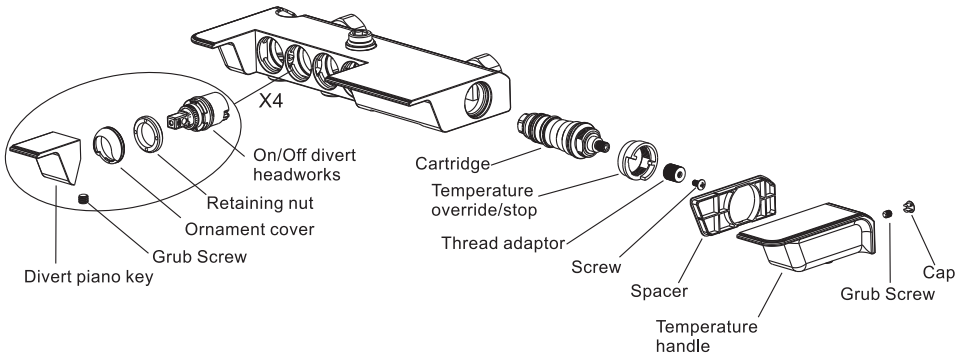
Cleaning the on/off divert headworks

1. Before carrying out any maintenance, ensure the mains water supply is isolated. Once isolated, turn the shower on to release internal pressure. If unsure contact a qualified tradesman.
2. Carefully loosen the screw or grub screw (using an allen key), then remove the divert piano key.
3. Unscrew the ornament cover and retaining nut, and remove the On/Off Divert headworks.
4. Clean the headworks by rinsing thoroughly under cold water to remove any build up of limescale or debris.
5. If required, replacement headworks can be obtained by contacting the Customer Helpline.

6. Refit the headworks ensuring the locating lugs align correctly, then screw on the retaining nut - hand tight and taking care not to cross thread, then nip up using a suitable spanner. DO NOT OVERTIGHTEN. Re-fit the ornament cover and screw.
7. Re-fit the divert piano key. Tighten the screw.
8. Reinststate the water supply and ensure there are no leaks.

Inlet filters

The product is protected by inlet filter washers. It is suggested that filters are checked by a competent person at least every 12 months.



PRODUCT AFTERCARE

Due care is required to maintain the product and care must be taken whilst cleaning for brand new refreshing looks at all times.

Use a small amount of soap and a damp cloth to clean the accessories, then perform a simple rinse and wipe dry. After each use, dry the surface of the accessories to avoid green and yellow spots on the product.

Please do not use rough sponges or detergents during the cleaning process. Do not scrub or scour.

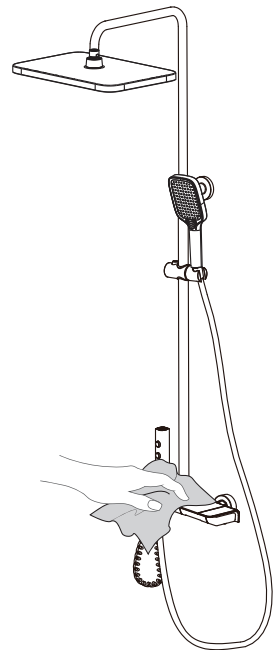
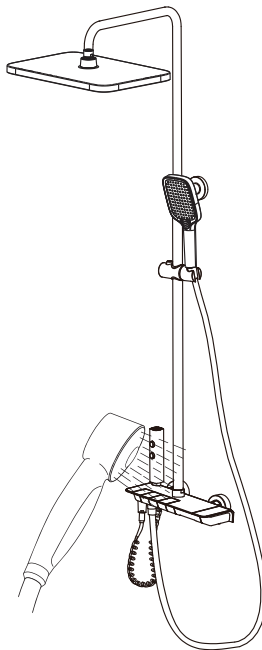
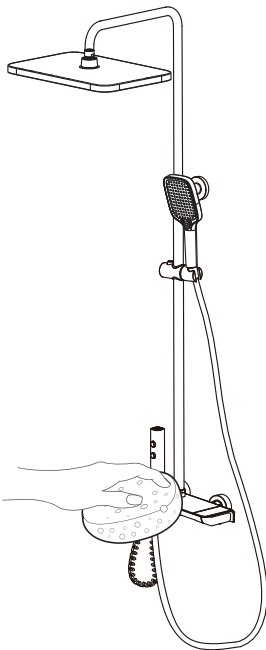
Do not use cleaning agents containing solvents or acidic substances.

Do not use descaling agents, practical vinegar, or cleaning agents containing waxy acid.

Do not use cream cleaners or cleaners containing bleach.

Do not use abrasive cleaning agents.

If above instructions are not adhered to, this will invalidate your guarantees.



TROUBLE SHOTTING

If you followed the instructions carefully and your mixer still does not work properly, take these corrective steps.

Problem	Possible Cause	Action
Outlet temperature too cold	<ul style="list-style-type: none"> ● No hot water reaching mixer ● Filter block ● If the fault has been present since the mixer was installed it is possible that the inlets were installed incorrectly ● The water supply will be colder in winter months due to outside temperature 	<ul style="list-style-type: none"> ● Check the water supply for any blockages ● Remove filters and clean ● Check installation-Hot on the left /cold on the right ● It may be necessary to adjust the hot supply. i.e. increase the hot water temperature setting on boiler
Outlet temperature too hot	<ul style="list-style-type: none"> ● No cold water reaching mixer ● Filter block ● If the fault has been present since the mixer was installed it is possible that the inlets were installed incorrectly ● The water supply will be hotter in summer months due to outside temperature 	<ul style="list-style-type: none"> ● Check the water supply for any blockages ● Remove filters and clean ● Check installation-Hot on the left /cold on the right ● It may be necessary to adjust the hot supply. i.e. decrease the hot water temperature setting on boiler
Only hot or cold water from valve outlet	<ul style="list-style-type: none"> ● Possible that the inlets have been installed the incorrect way around ● If only cold water is coming out of the mixer it is possible there is a cartridge fault ● Filters blocked 	<ul style="list-style-type: none"> ● Check that the inlets are installed correctly-Hot on the left/cold on the right ● Remove and check the condition of the thermostatic cartridge ● Remove filters and clean