

16

15

14

13

12

11

10

9

8

7

6

5

4

3

2

1

M

M

L

L

K

K

J

J

H

H

G

G

F

F

E

E

D

D

C

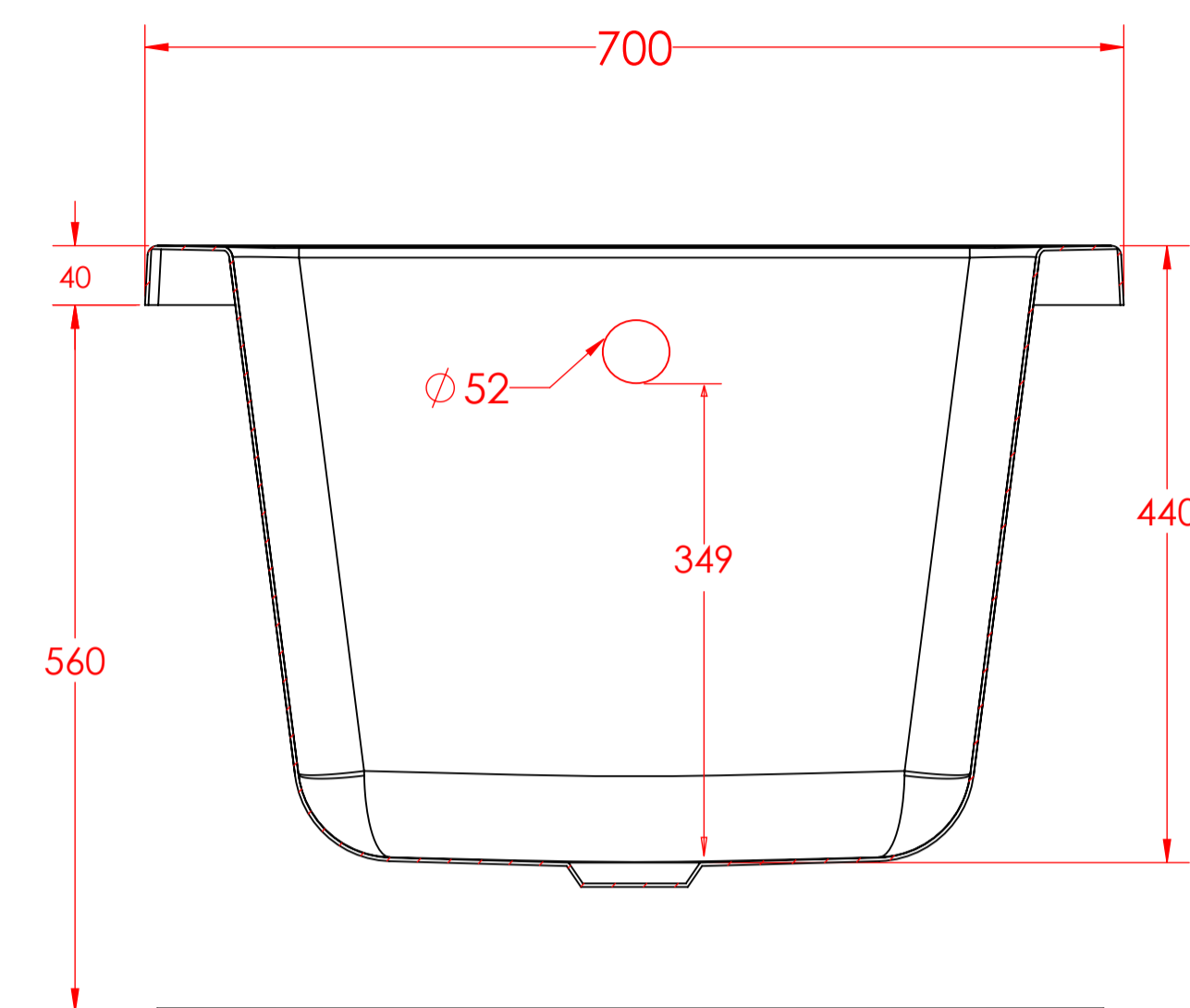
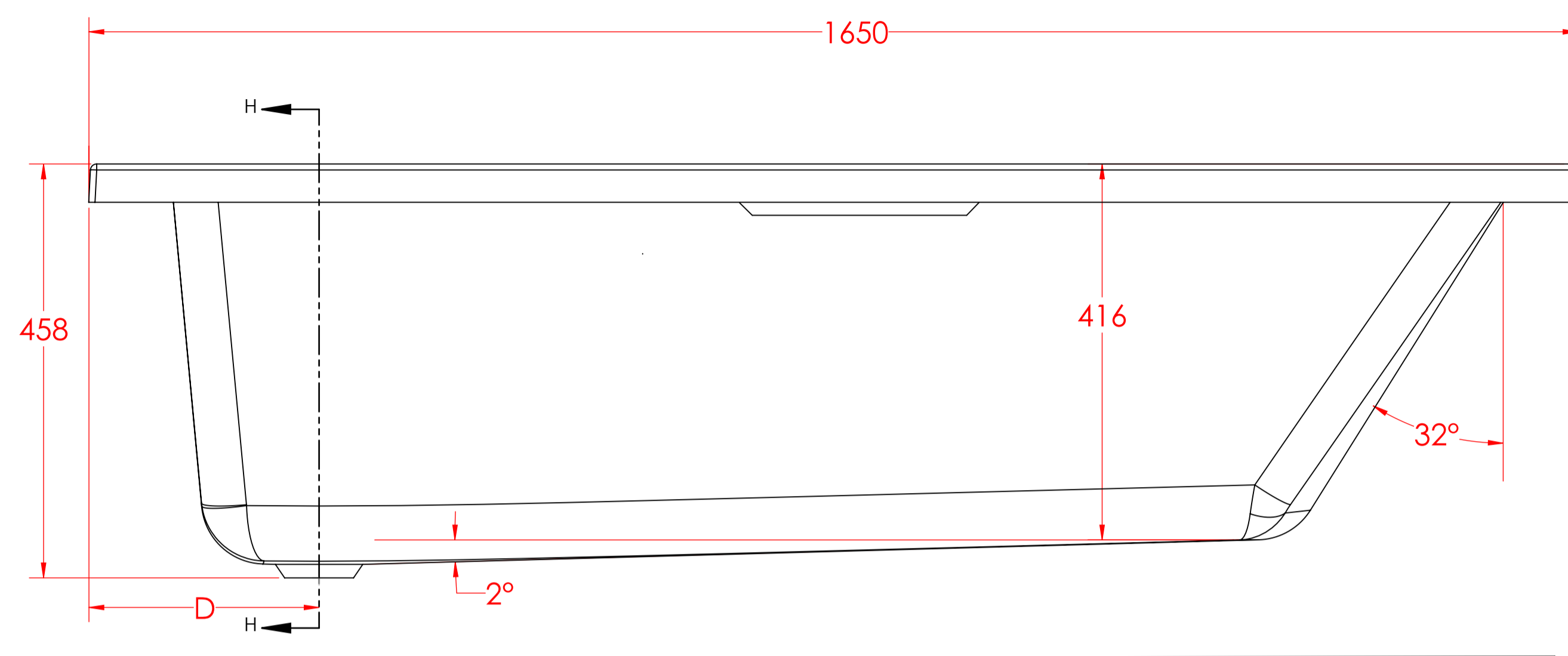
C

B

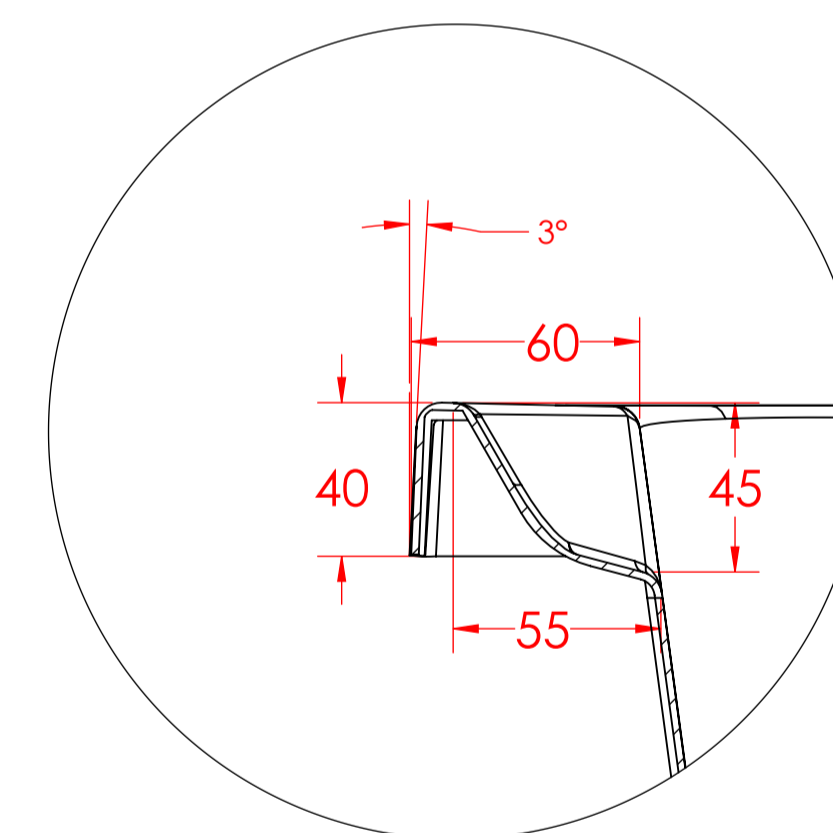
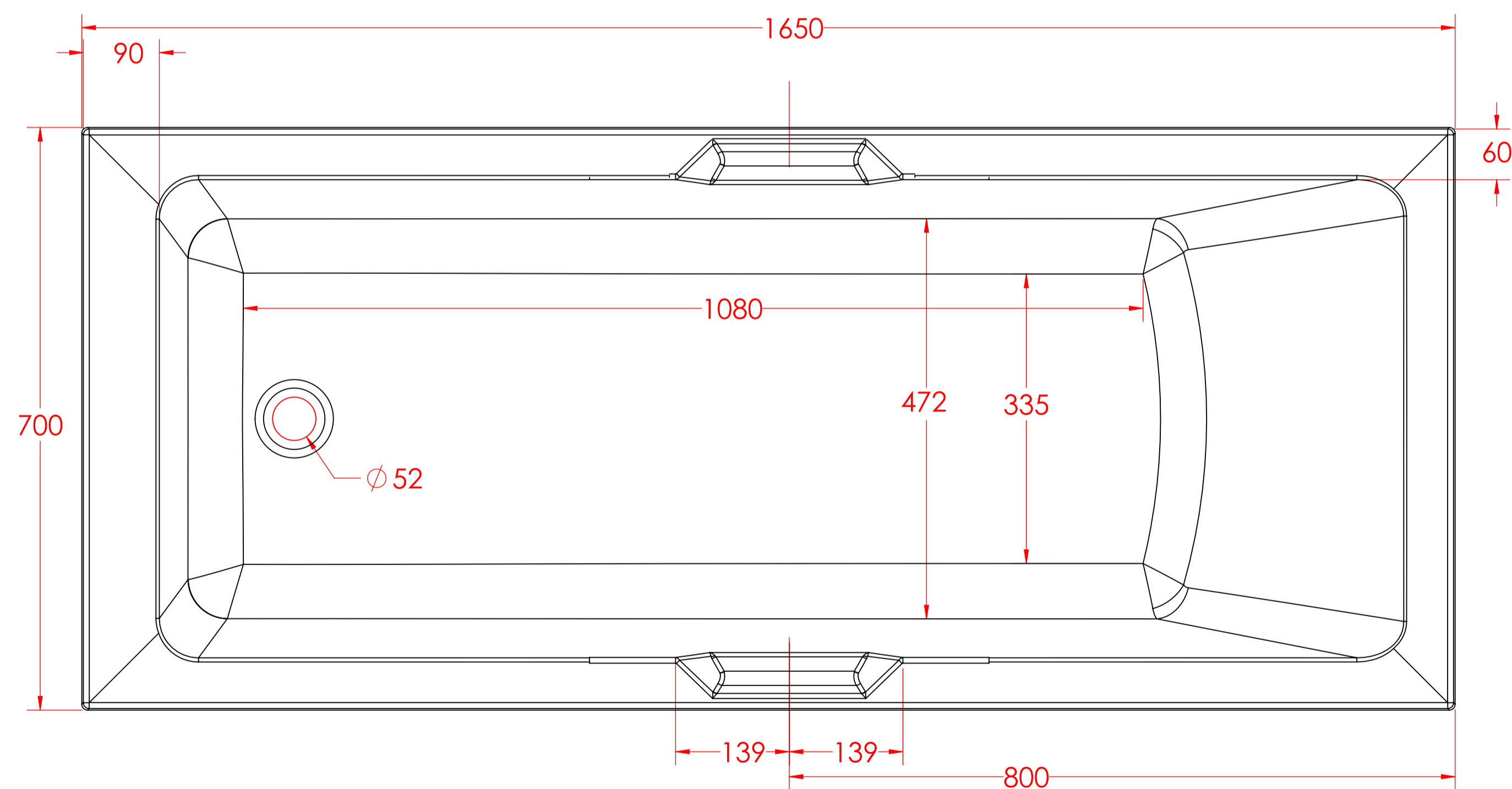
B

A

A



SECTION H-H  
SCALE 1 : 5



DETAIL B  
SCALE 1 : 2

16

15

14

13

12

11

10

9

8

7

6

5

4

3

2

1