

## DATASHEET

### Image



### General Information

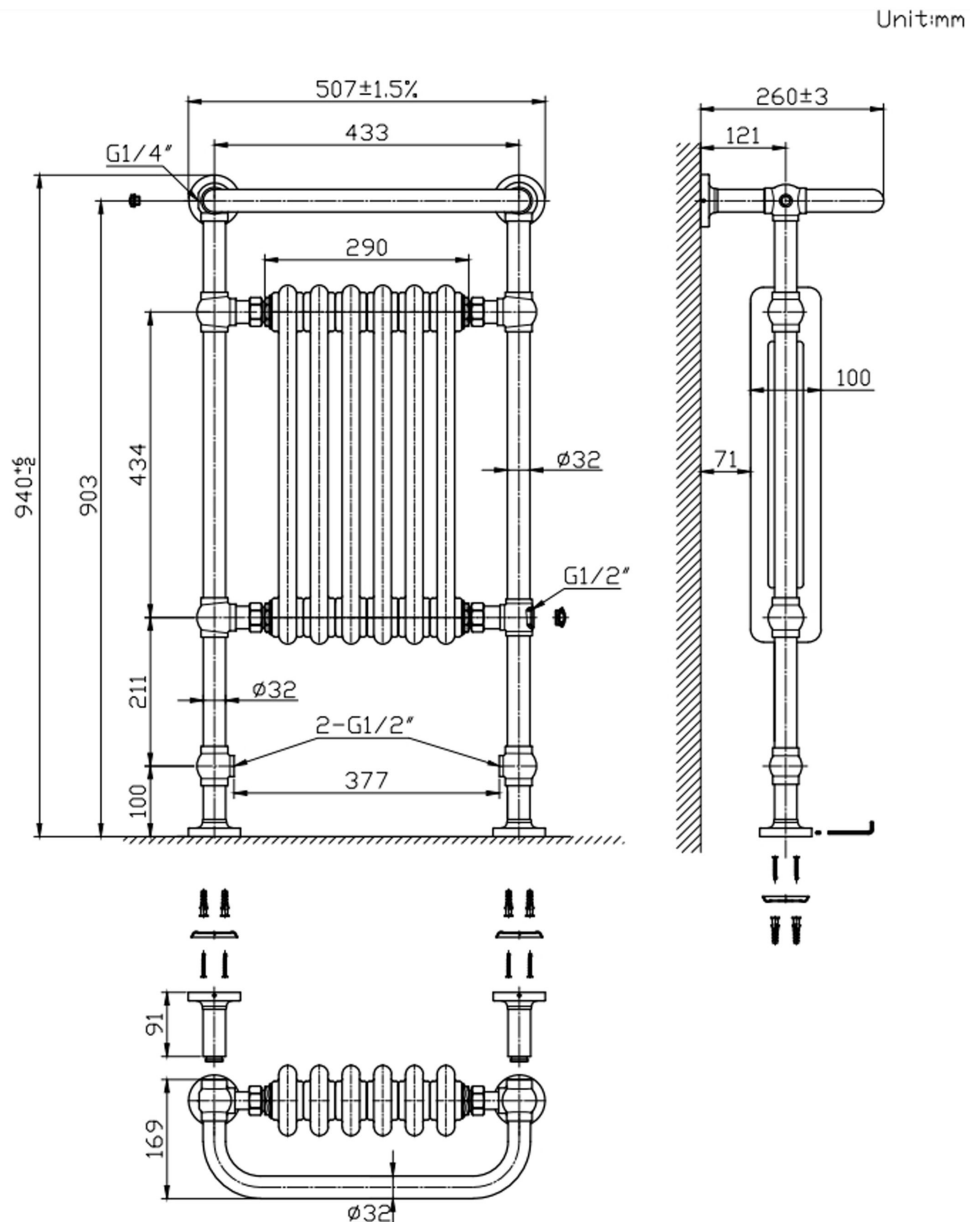
Product:	41.0806
Description:	Isbourne 940 x 507
Website Link:	<a href="#">(Click Here)</a>
Product Type:	Radiator
Brand:	Eastbrook Company
Colour:	Chrome/Gloss White
Material:	Mild Steel
Height (mm):	940mm
Width (mm):	507mm
Net Weight (kg):	13.1kg
Product Range:	Isbourne

### Product Specifications

Warranty:	5 Year(s)
-----------	-----------

## Drawing

### Isbourne 940 x 507mm. Technical Drawing



Tappings : 377mm.  
Tappings from wall : 121mm.  
Distance from wall : 260mm.

**This product should be fitted by a fully qualified installer.**

**Eastbrook **  
Eastbrook Road, Gloucester GL4 3DB  
Technical Helpline : 01452 317890  
Mon - Fri / 8am - 5pm  
Email : [technical@eastbrookco.com](mailto:technical@eastbrookco.com)