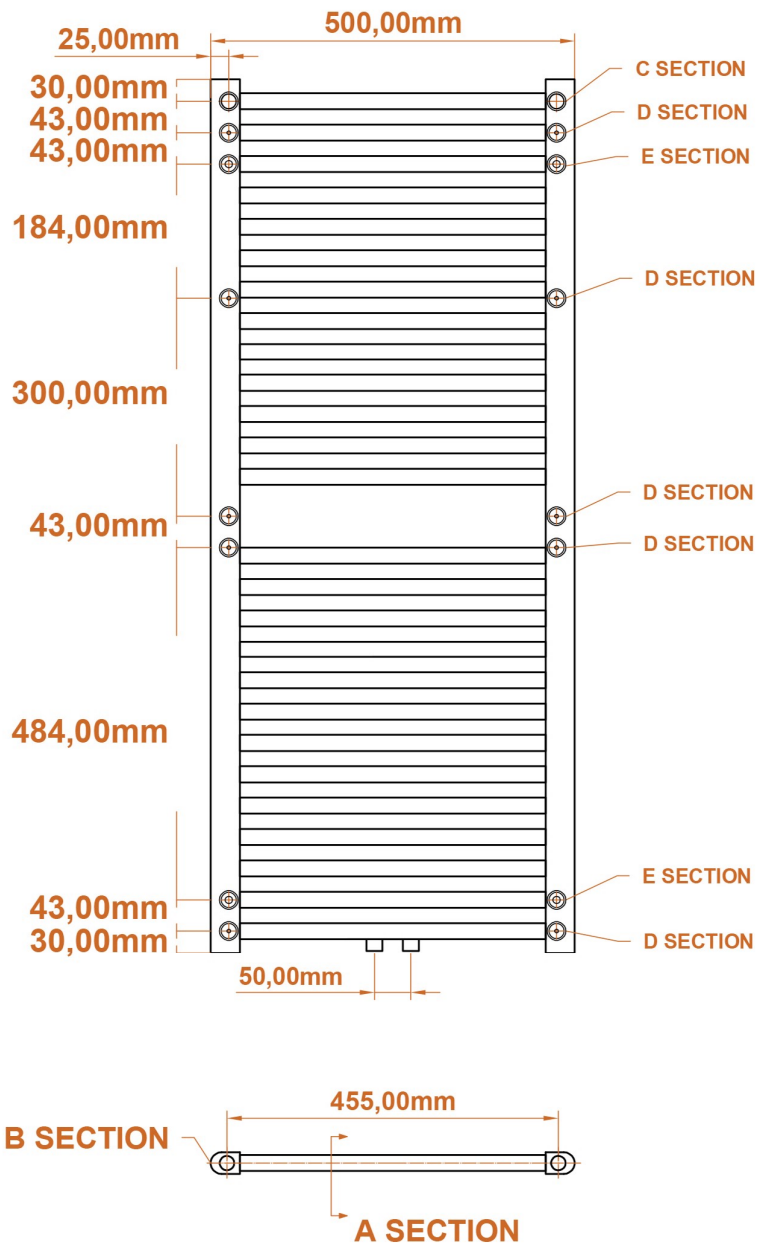
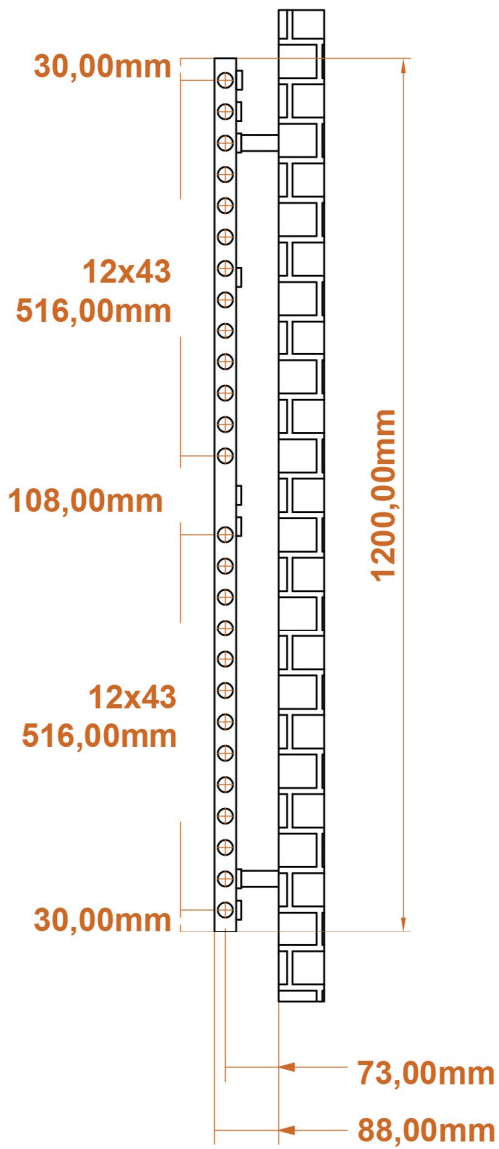
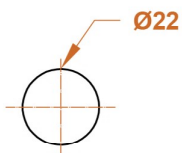


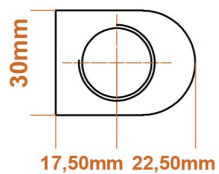
# Wingrave Flat Panel 1200 x 510mm. Towel Rail Technical Drawing



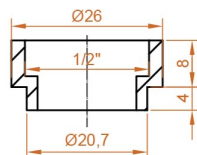
A SECTION



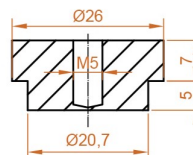
B SECTION



C SECTION



D SECTION



E SECTION

