

DATASHEET

Image



General Information

Product:	54.0022
Description:	Corner Designer TRV with Lockshield 15mm
Website Link:	(Click Here)
Product Type:	Radiator Valve
Brand:	Eastbrook Company
Colour:	Matt White
Material:	Brass + Plastic
Net Weight (kg):	0.58kg
Product Range:	Radiator Valves

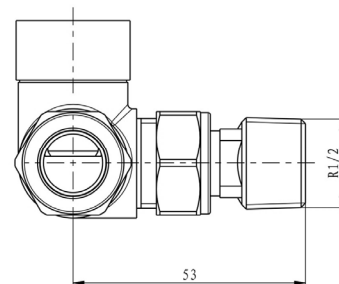
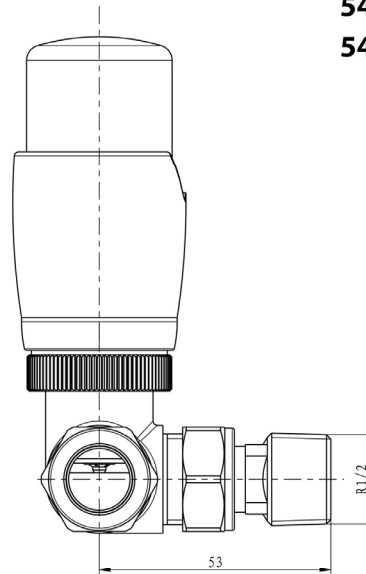
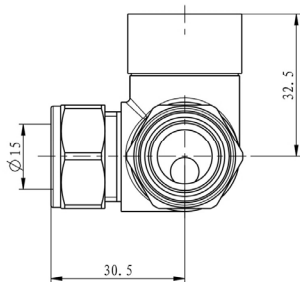
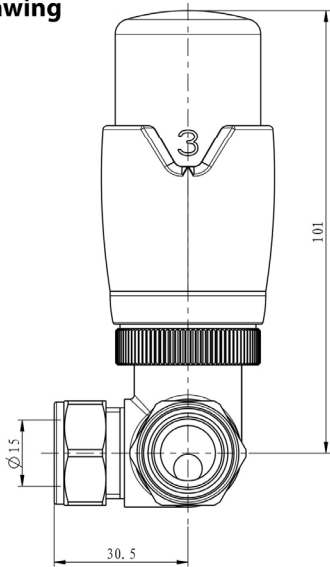
Product Specifications

Warranty:	2 Year(s)
Valve Types:	Corner

Drawing

Corner Designer TRV with Lockshield 15mm Technical Drawing

54.0004 & 54.0007
54.0022 & 54.0023
54.0024



Eastbrook 
Eastbrook Road, Gloucester GL4 3DB
Technical Helpline : 01452 317890
Mon - Fri / 8am - 5pm
Email : technical@eastbrookco.com