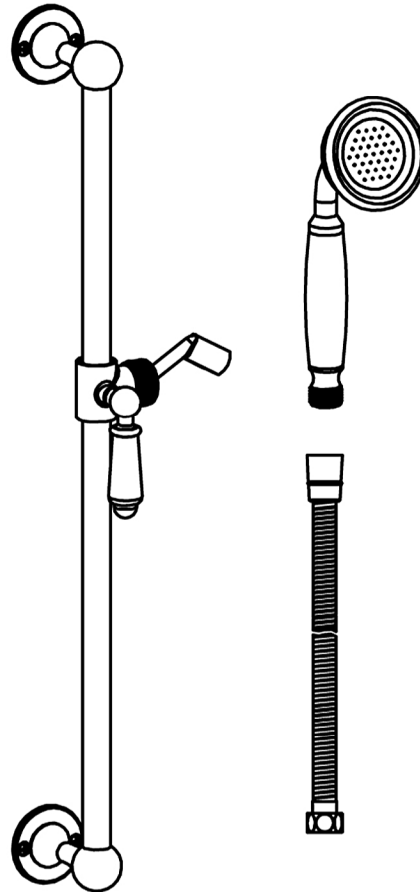




Eastbrook Road, Gloucester GL4 3DB

# 93.0048

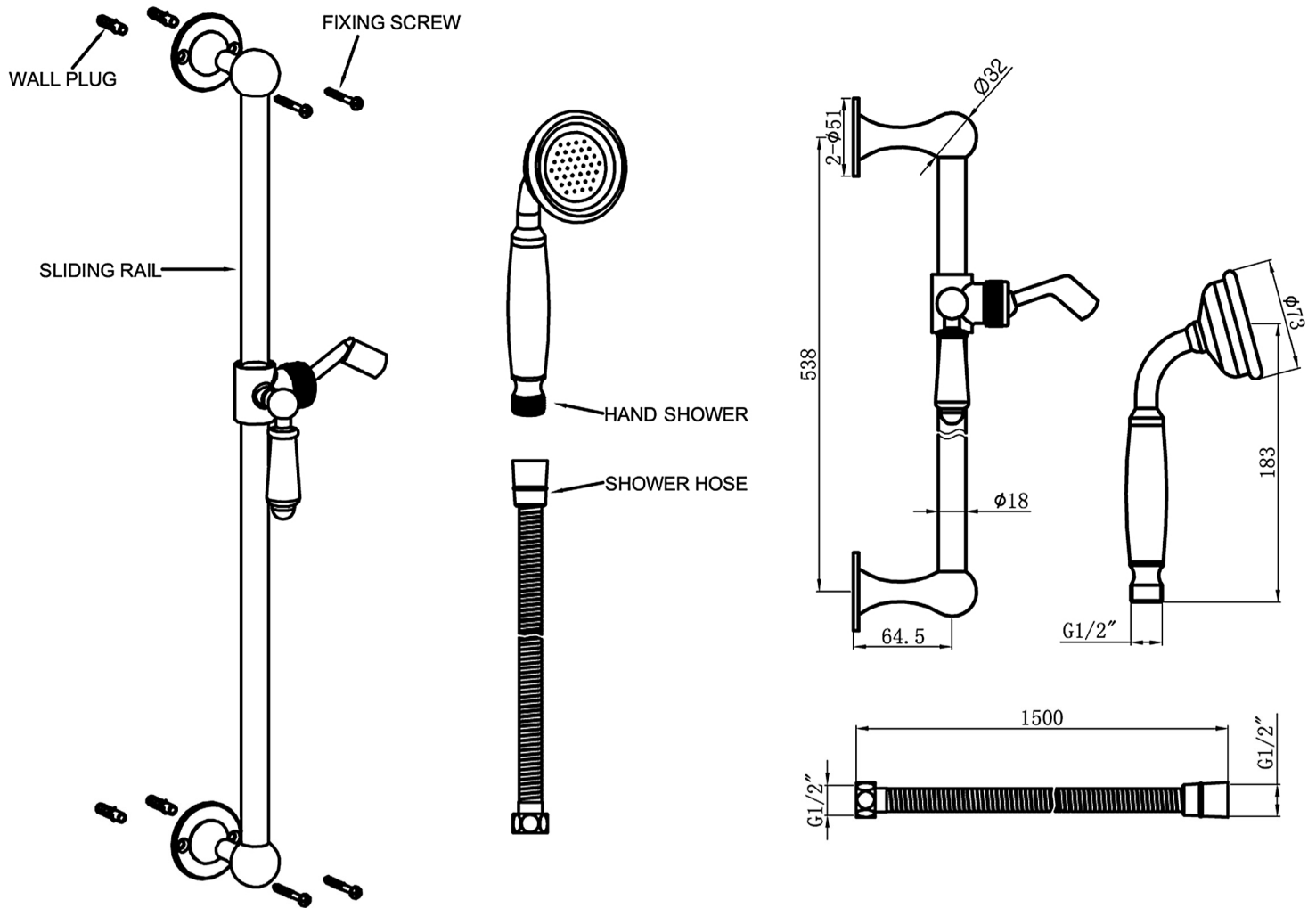
## **INSTALLATION INSTRUCTIONS**



### **IMPORTANT**

1. We recommend that this product is installed by a qualified, professional installer.
2. Please check the product immediately, to ensure that it has not been damaged, and is complete. Before installation, check that the product is the correct model and all parts required for installation and use are present
3. Please read these instructions carefully and retain for future reference.

# COMPONENTS AND DIMENSION DRAWING



1. Locate the rail on the wall properly and then mark holes according to the holes on the fixing plate.
2. Drill four holes of  $\phi 8\text{mm}$  with depth of  $\phi 45\text{mm}$ .
3. Strike wall plugs into the holes and mount the rail against the wall with fixing screws.
4. Connect one end of the shower hose to the outlet of the shower valve, and the other end of the hose to the hand shower.