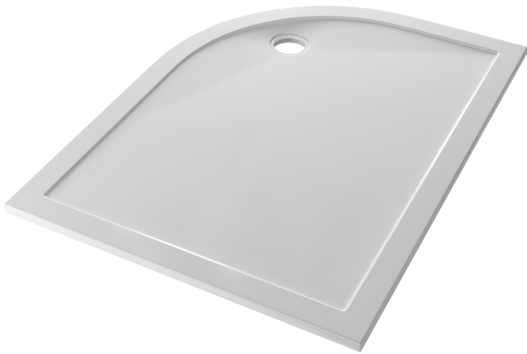


## DATASHEET

### Image



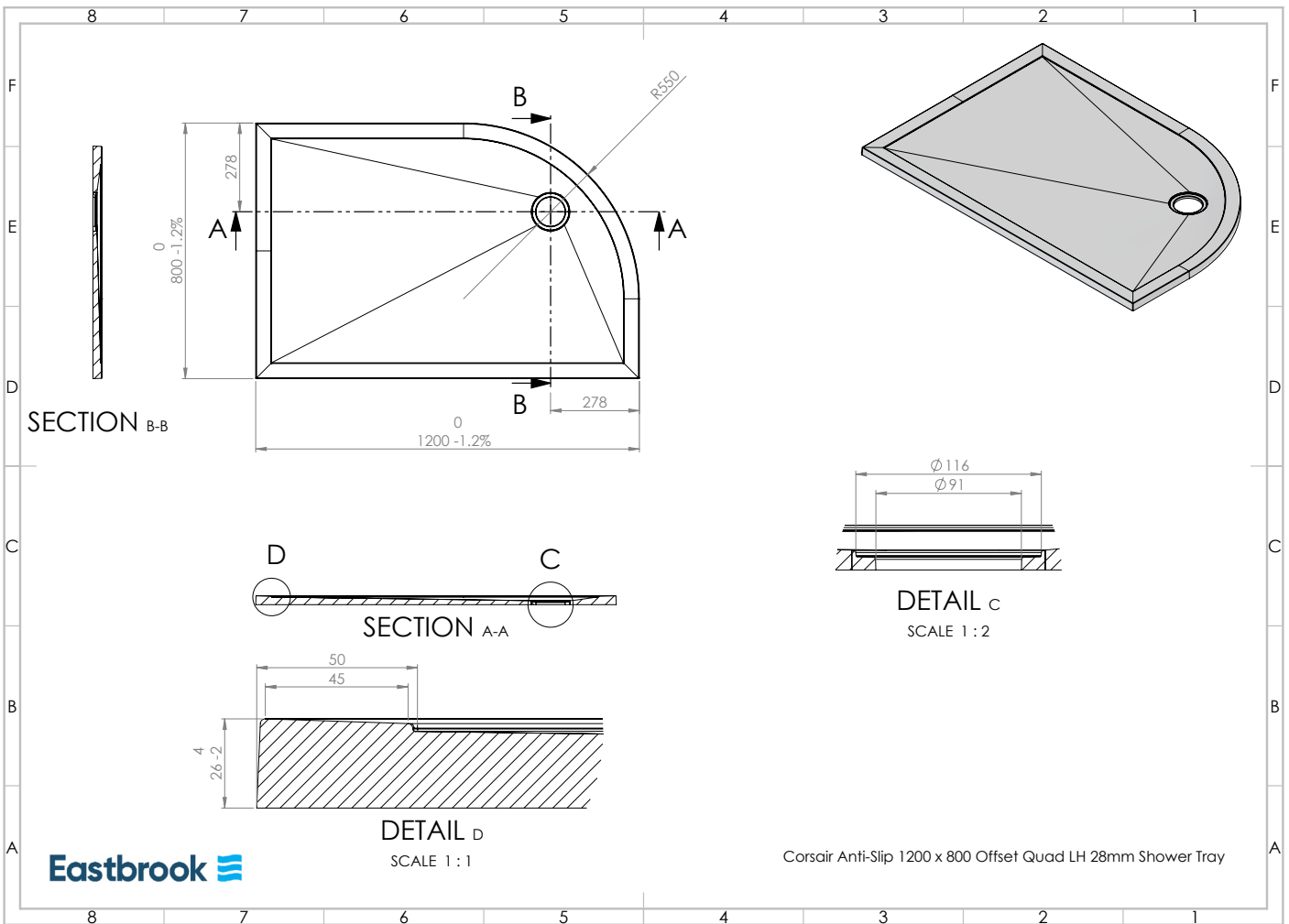
### General Information

Product:	159.2303
Description:	Corsair Anti-Slip 1200 x 800 Offset Quad LH 28mm Shower Tray
Website Link:	<a href="#">(Click Here)</a>
Product Type:	Offset Quadrant Shower Tray
Brand:	Eastbrook Company
Colour:	White
Material:	Stone resin with UV stable gelcoat surface
Height (mm):	28mm
Width (mm):	800mm
Length (mm):	1200mm
Net Weight (kg):	26kg
Product Range:	Corsair

### Product Specifications

Warranty:	10 Year(s)
Waste Included:	No
Tray Plan:	D

## Drawing



Corsair Anti-Slip 1200 x 800 Offset Quad LH 28mm Shower Tray