

## DATASHEET

### Image



### General Information

Product:	54.0067
Description:	15mm Corner TRV and Lockshield Valve
Website Link:	<a href="#">(Click Here)</a>
Product Type:	Radiator Valve
Brand:	Eastbrook Company
Colour:	Brushed Nickel
Height (mm):	12.5mm
Width (mm):	7mm
Length (mm):	8.7mm
Net Weight (kg):	0.58kg
Product Range:	Radiator Valves

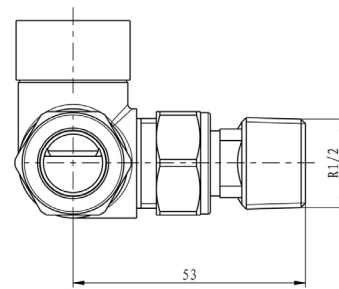
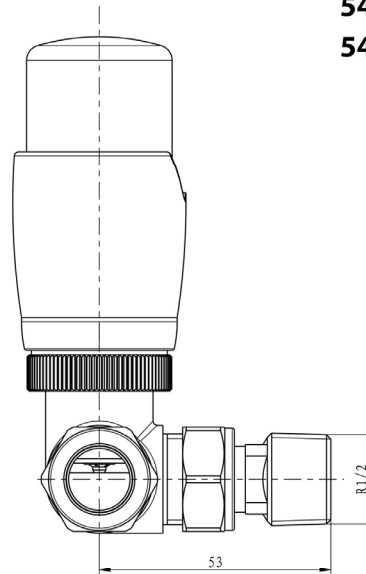
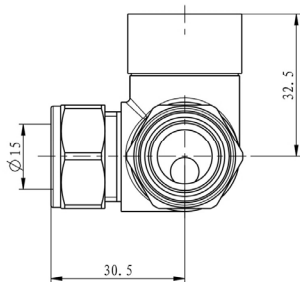
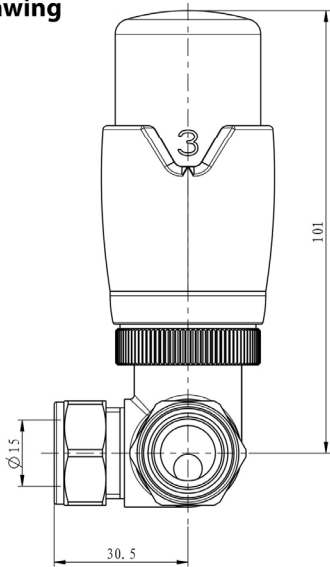
### Product Specifications

Warranty:	2 Year(s)
Valve Types:	Corner

## Drawing

### Corner Designer TRV with Lockshield 15mm Technical Drawing

54.0004 & 54.0007  
54.0022 & 54.0023  
54.0024



**Eastbrook**   
Eastbrook Road, Gloucester GL4 3DB  
Technical Helpline : 01452 317890  
Mon - Fri / 8am - 5pm  
Email : [technical@eastbrookco.com](mailto:technical@eastbrookco.com)