

DATASHEET

Image



General Information

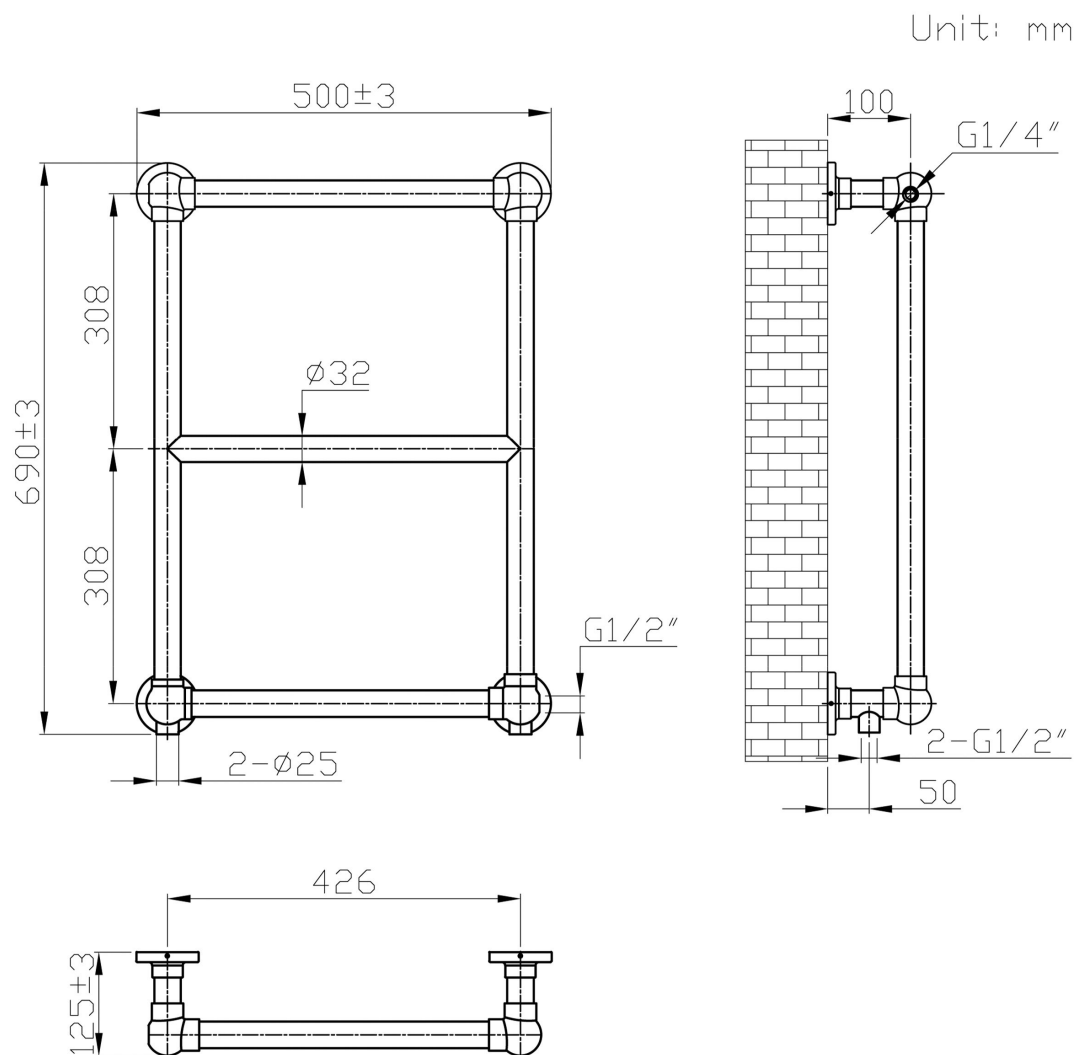
Product:	41.0377
Description:	Stour 690 x 500
Website Link:	(Click Here)
Product Type:	Towel Rail
Brand:	Eastbrook Company
Colour:	Brushed Brass
Material:	Mild Steel
Height (mm):	690mm
Width (mm):	500mm
Net Weight (kg):	5.2kg
Product Range:	Stour

Product Specifications

Warranty:	5 Year(s)
Supplied with fixings:	Yes
Orientation:	Portrait
BTU $\Delta T50^{\circ}\text{C}$:	335
BTU $\Delta T60^{\circ}\text{C}$:	428
Watts $\Delta T50^{\circ}\text{C}$:	98
Watts $\Delta T60^{\circ}\text{C}$:	125

Drawing

Stour 690 x 500mm. Technical Drawing



Tappings : 426mm.

Tappings from wall : 50mm.

Distance from wall : 125mm.

This product should be fitted by a fully qualified installer.

Eastbrook 
Eastbrook Road, Gloucester GL4 3DB
Technical Helpline : 01452 317890
Mon - Fri / 8am - 5pm
Email : technical@eastbrookco.com