

Towel Rail Installation

- .This product must be installed by a fully qualified plumber.
- .Read the instruction sheet carefully before installation.
- .Check all the parts are enclosed as per the contents list.
- .If there are any missing parts or damage please contact your supplier immediately.

Contents List

Ref	Description	Quantity
A	Ladder Rail	1
B	Washer	4
C	Air Vent Plug	1
D	Wall Support	4
E	Masonry Wall Plug	4
F	Wall Support	4
G	Spacer A	4
H	Spacer B	4
I	Masonry Wall Plug	4
J	Long Screw	4
K	Bracket Bush A	4
L	Bracket Bush B	4
M	Cross Bolt M5x20	4
N	Cross Bolt M5x30	4

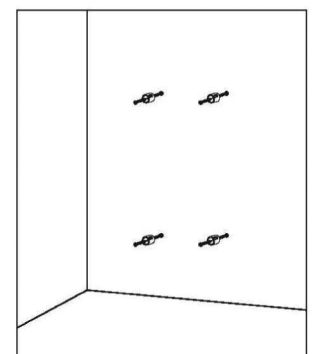
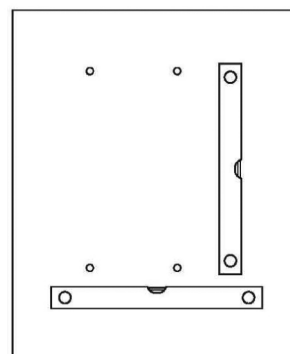
Tools Required(not supplied)

Description
PTFE Tape
Large Flat Screwdriver
8mm Masonry Bit or 3mm Wood Bit
Socket Set
Spanner
Clean Cloth
Tape measure
Spirit Level

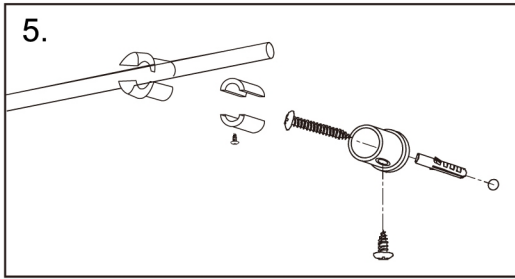


Assembly

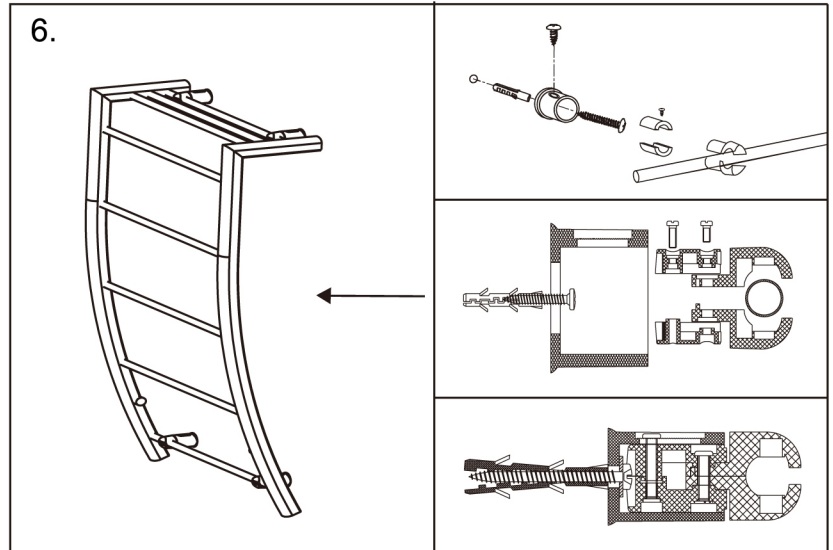
1. Select your desired installation position and ensure insert a space that the wall is sufficiently strong enough to hold the weight of the ladder rail. Solid walls are ideal but if positioning on plasterboard wall it must be fixed to timber batons.
2. Screw the blanking plug and air vent plug into the top two threads in the upright channel of ladder rail. Apply PTFE tape, use a cloth to prevent scratching when tightening with spanner.
3. Mark the wall in the required position for the brackets and drill.
4. Screw the wall support to the wall with long screw and washer supplied (use wall plug if fitting to solid wall).



5. Fix bracket to rail in required position.



6. Lift rail into place . Slide brackets into wall support and secure with grub screw.



On commissioning, flush the central heating system thoroughly using a proprietary solution to ensure that aggressive substances such as fluxes and manufacturing residue, from which the internal surfaces of your towel rail can sustain irreparable damage, are removed. It is further recommended that an appropriately approved corrosion inhibitor be subsequently added to the heating system in order to protect the heated towel rail and other parts of the central heating system to promote extended operating lifespan.

Maintenance

From time to time it is advisable to wash your towel rail with warm soapy water in order to retain its original sparkle. Never use any form of abrasive cleaner.

Corrosion inhibitor must also be regularly maintained, please consult your engineer for details.

Warranty

Your heated towel rail is fully warranted for five years in respect of defective materials. This is subject to installation being carried out by a qualified engineer in accordance with good practice and corrosion inhibitors being regularly maintained.

Helpline: 01452 317890

Mon-Fri 8.00am - 5.00pm

