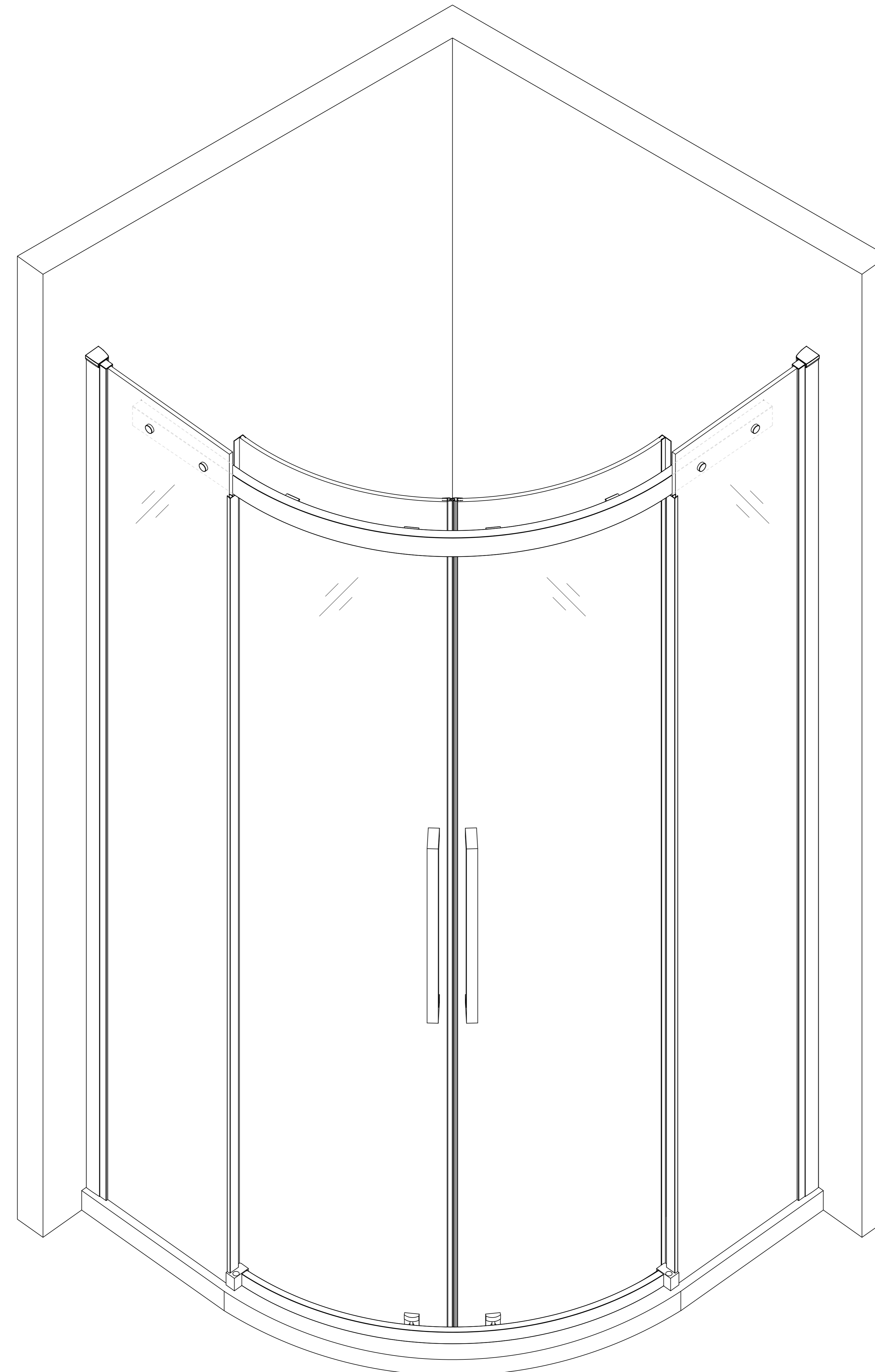
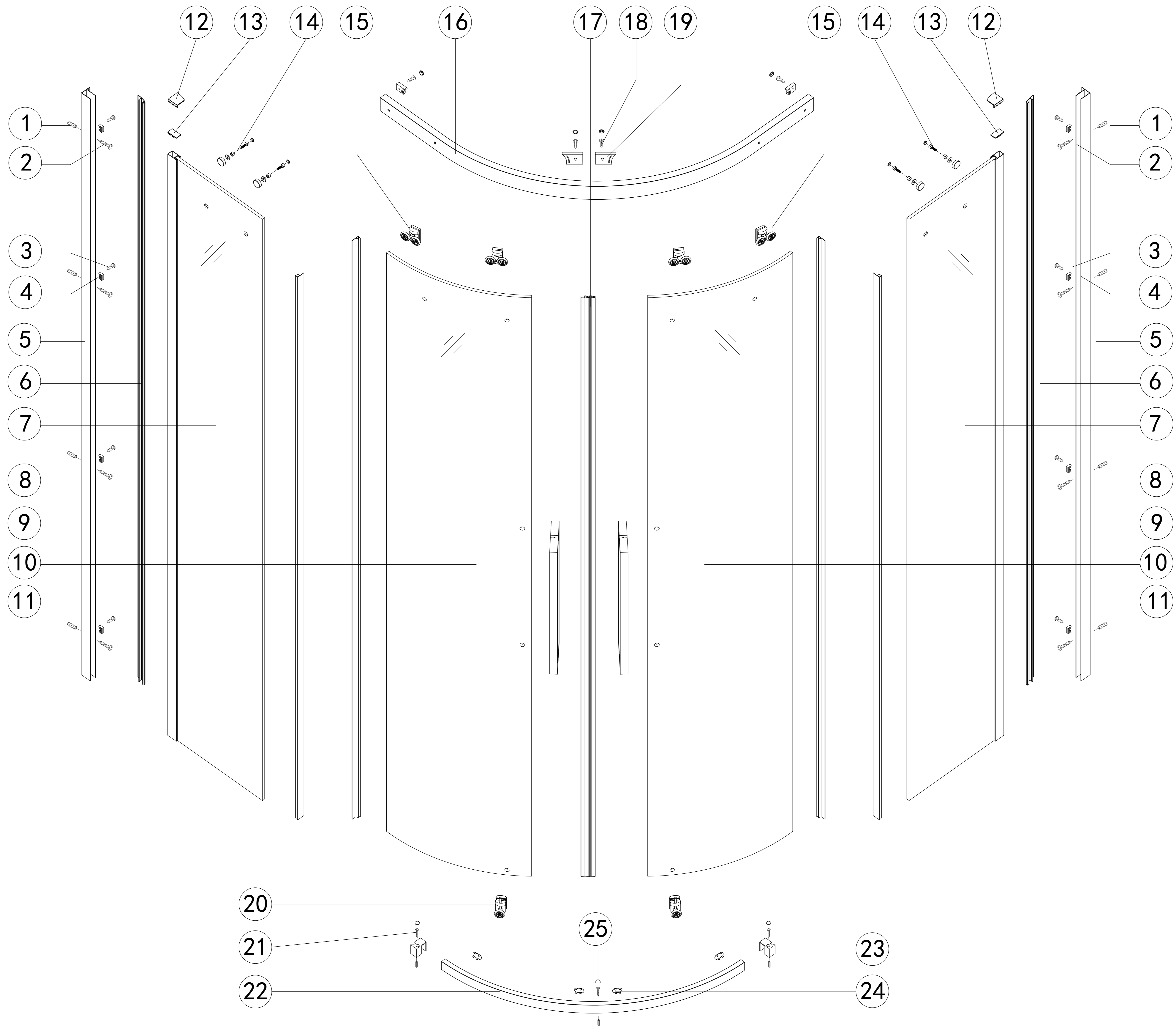
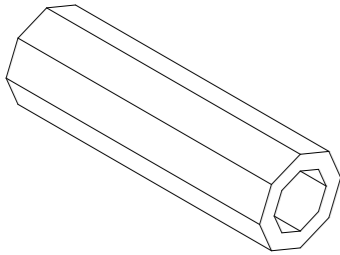
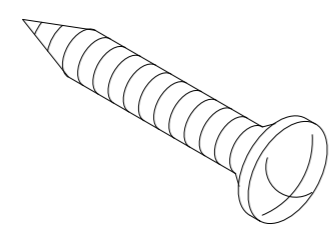
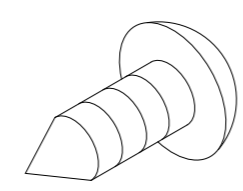
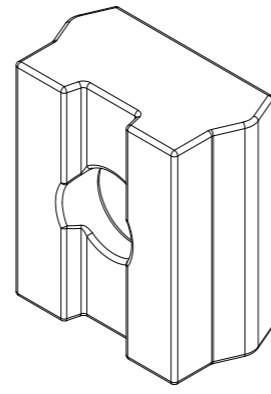
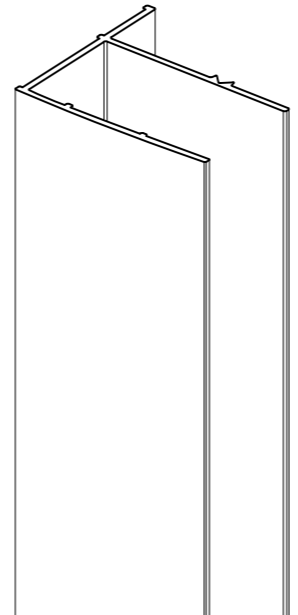
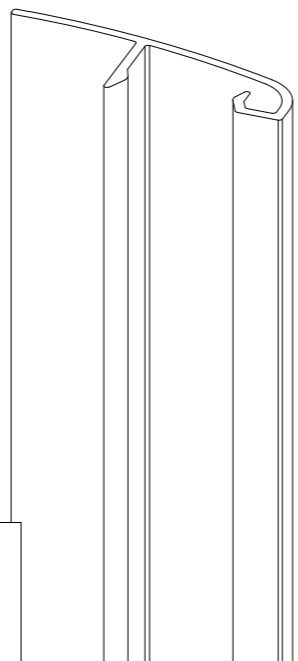
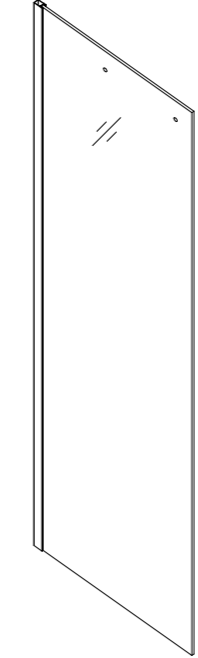
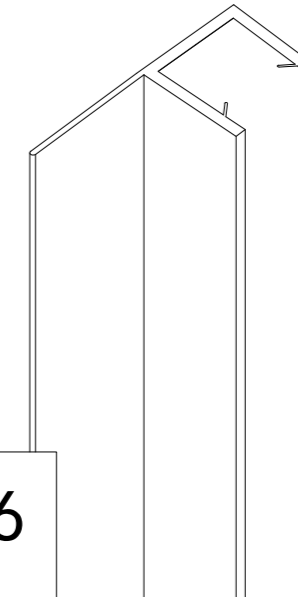
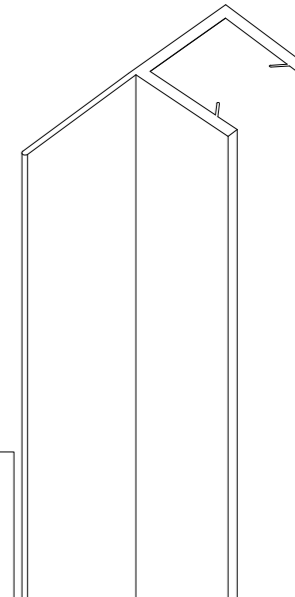
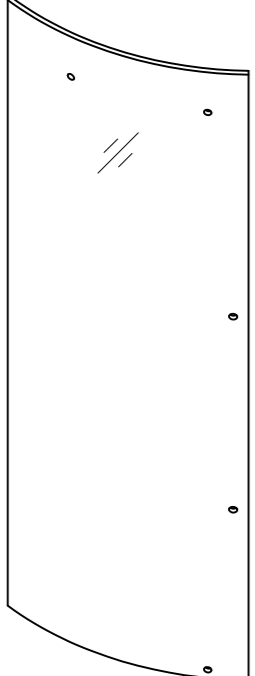
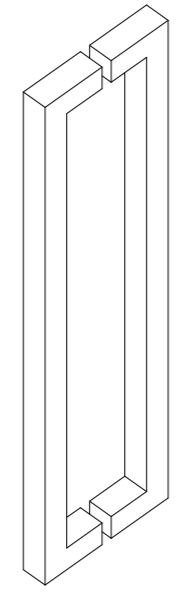
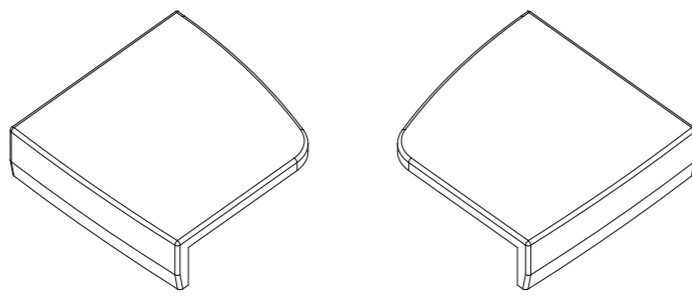
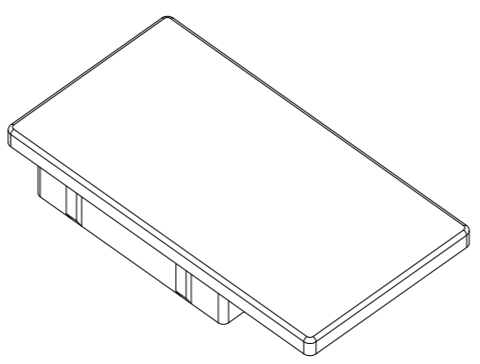
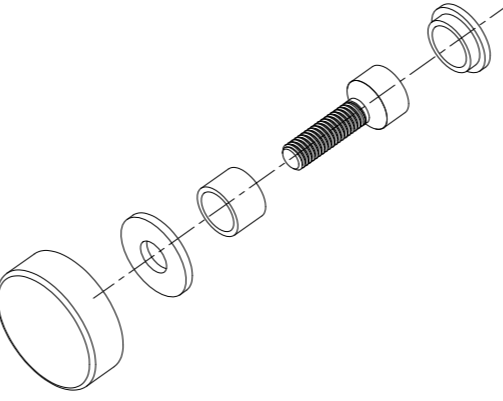
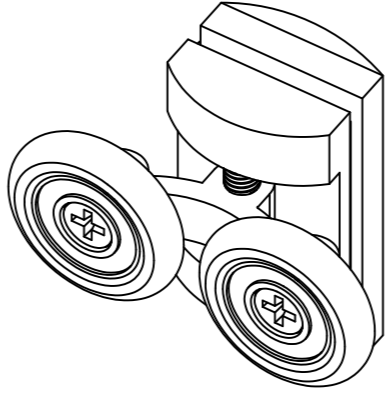
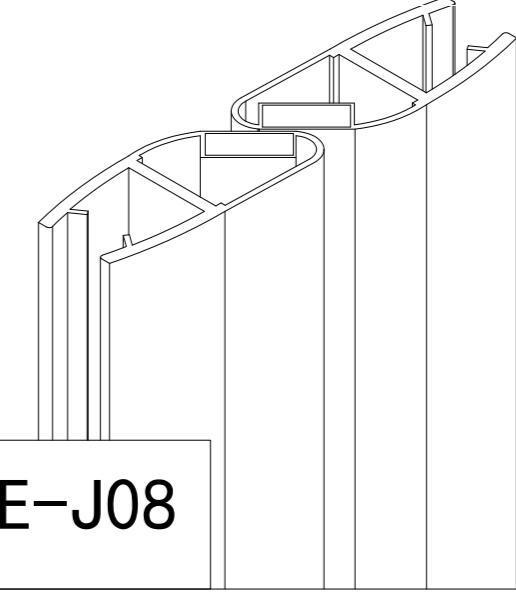
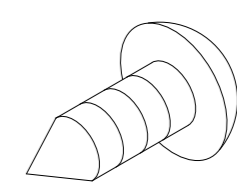
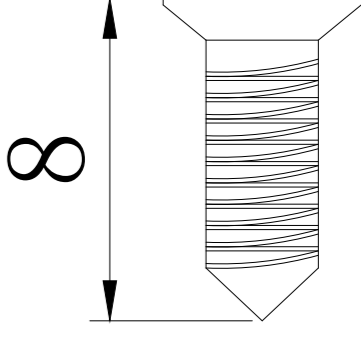
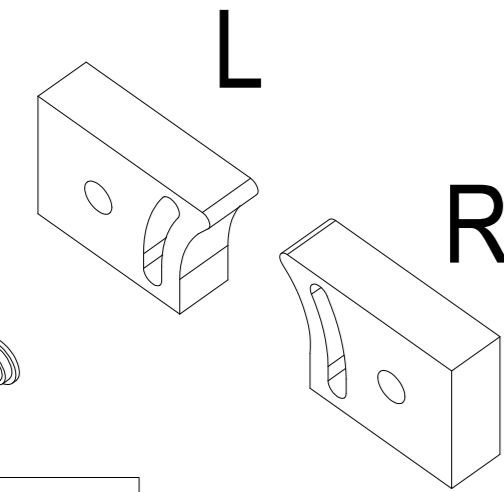
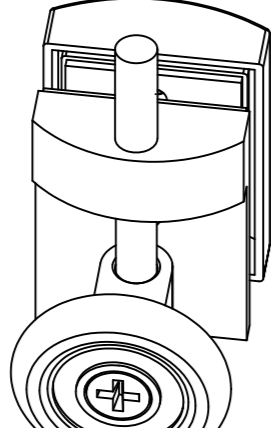
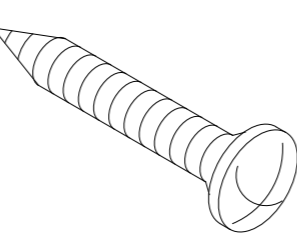

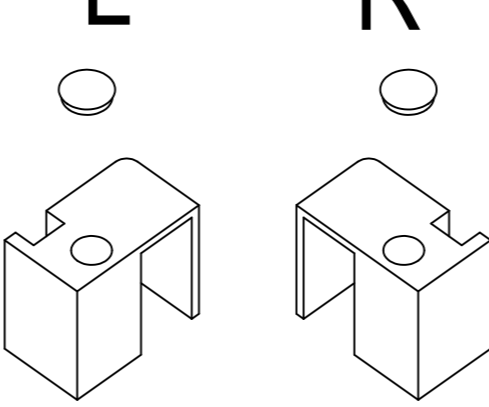
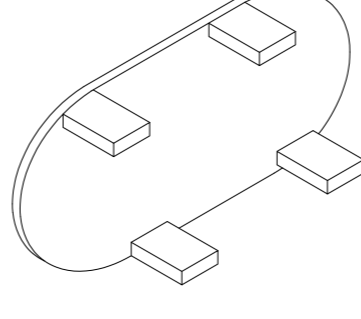
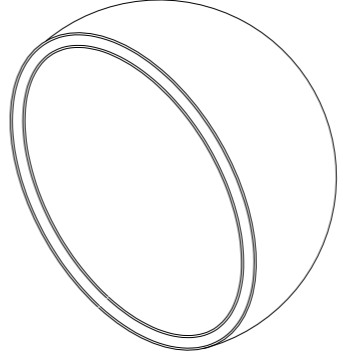


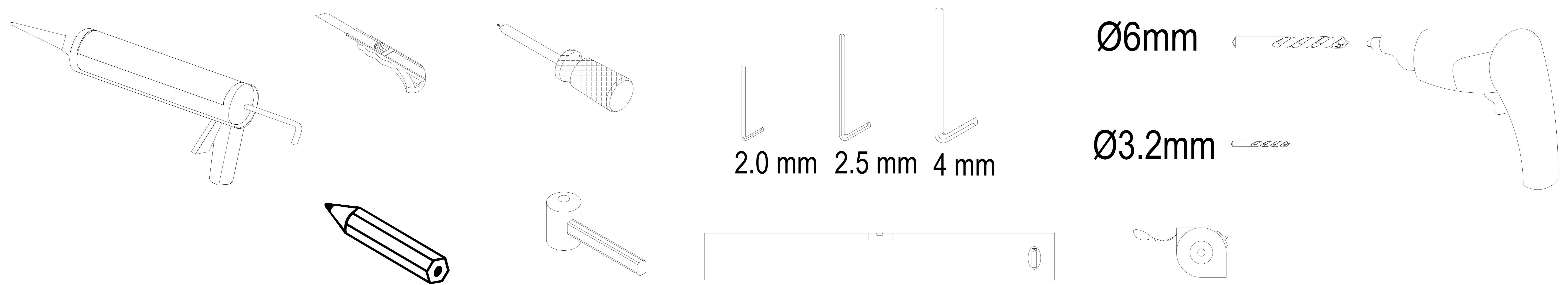
# 49.3201A/49.3202A/49.3203A



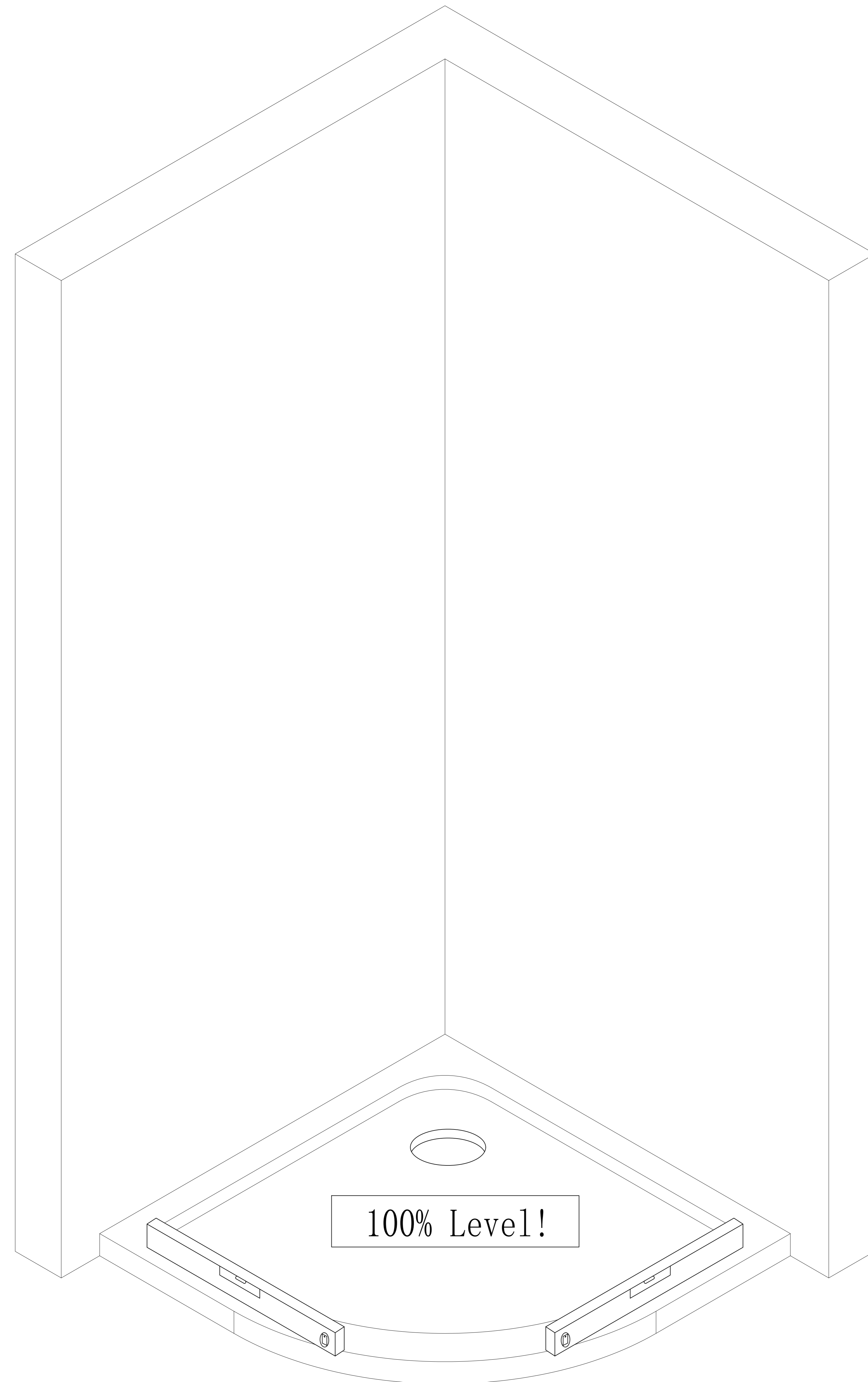


1  D6x30 11Pcs	2  ST4X30 9Pcs	3  ST4X12 8Pcs	4  CRF-6Y01 8Pcs	5  CWE-B01 2Pcs	6  CWE-B02 2Pcs	7  CWE-J06 2Pcs	8 1865mm  CWE-J07 2Pcs	9 1985mm  CWE-J07 2Pcs
10  CWE-D05 2Pcs	11  CWE-S01 2Pcs	12 L R  CWE-S03 2Pcs	13  CWE-D12 2Pcs	14  CWE-D09 4Pcs	15  CWE-B08-S 1Pcs	16  CWE-J08 1Pair	17 A+B  ST4X8 4Pcs	18  CWE-S05 4Pcs
19 L R  CWE-D10 2Pcs	20  CWE-S07 1Pcs	21  CWE-D11 2Pcs	22  CWE-B09-S 1Pcs	23 L R  CRF-6Y05 4Pcs	24  CWE-S07 1Pcs	<h1>Tools:</h1>		
25  CWE-D10 2Pcs								

Please report any missing parts or damage to your supplier within 10 working days and before installation.

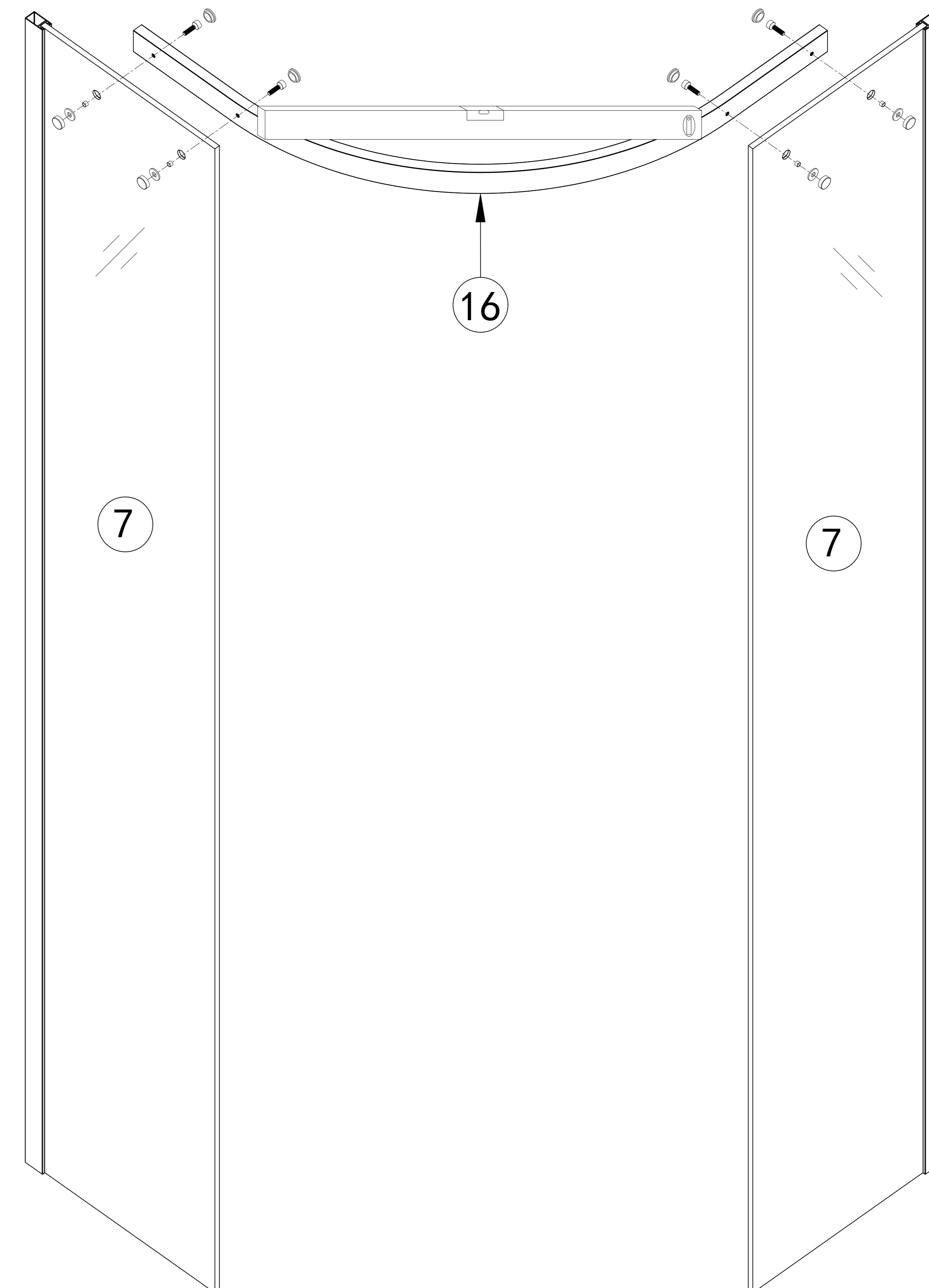


1

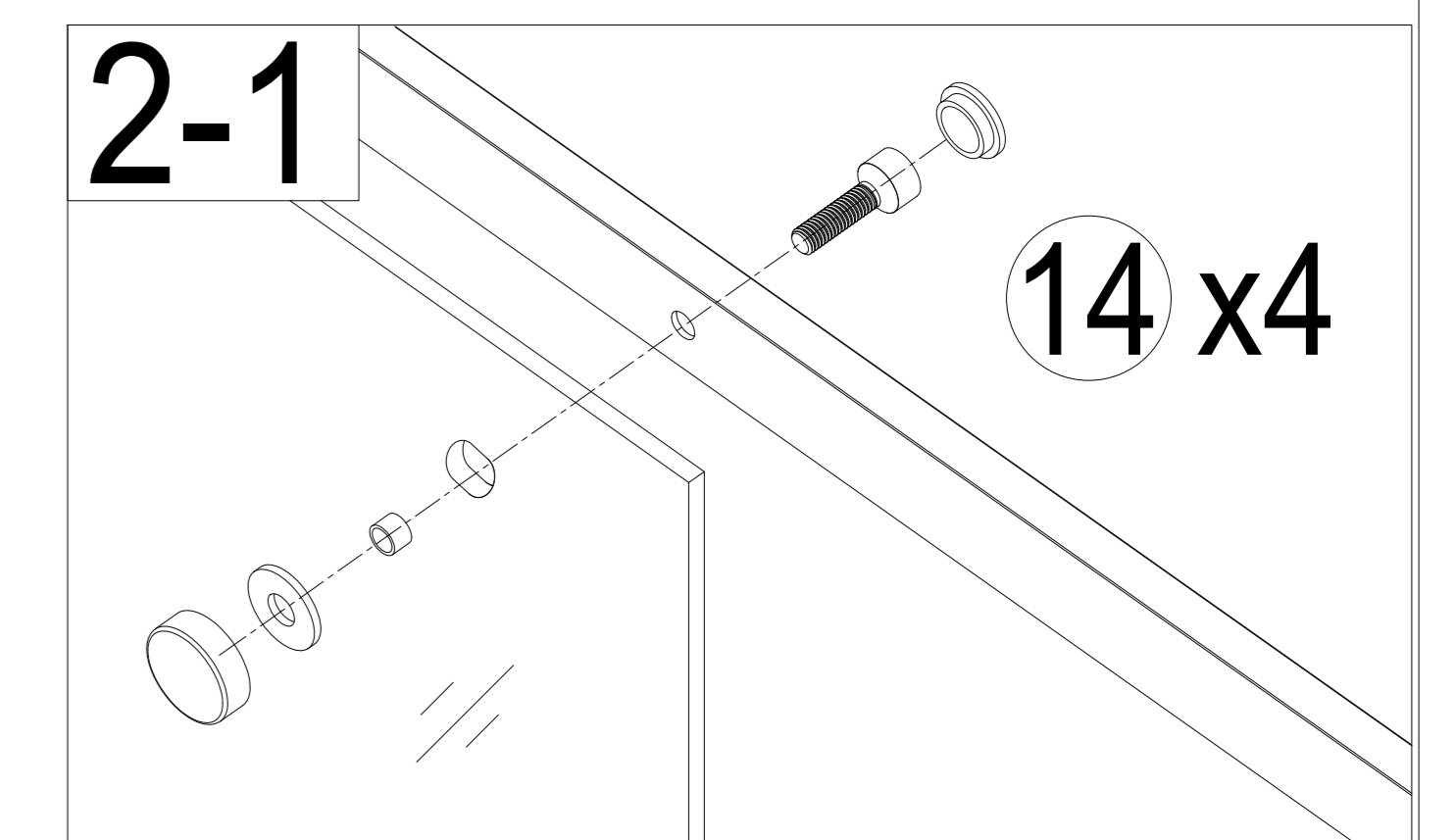


Check tray is level

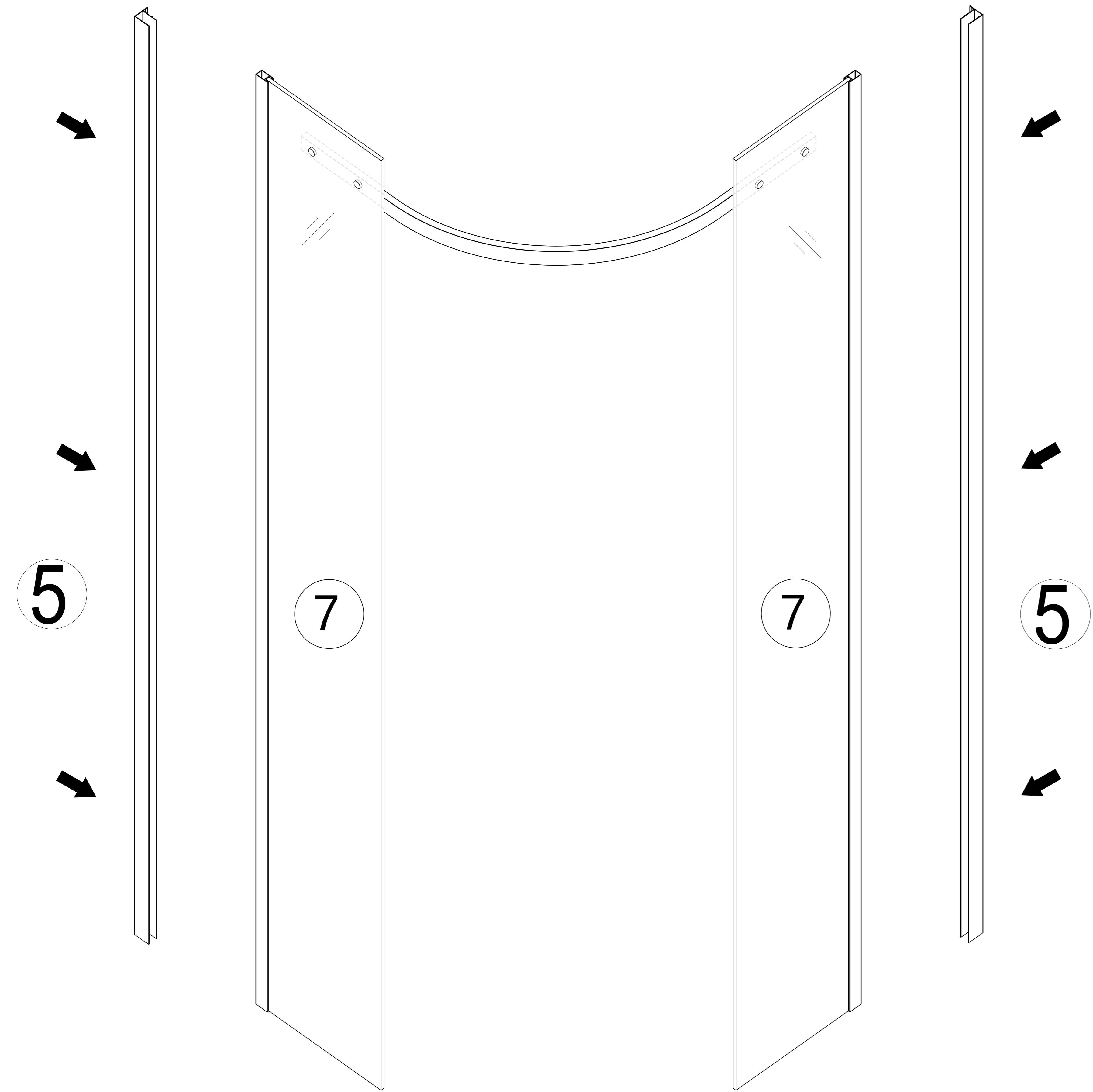
2



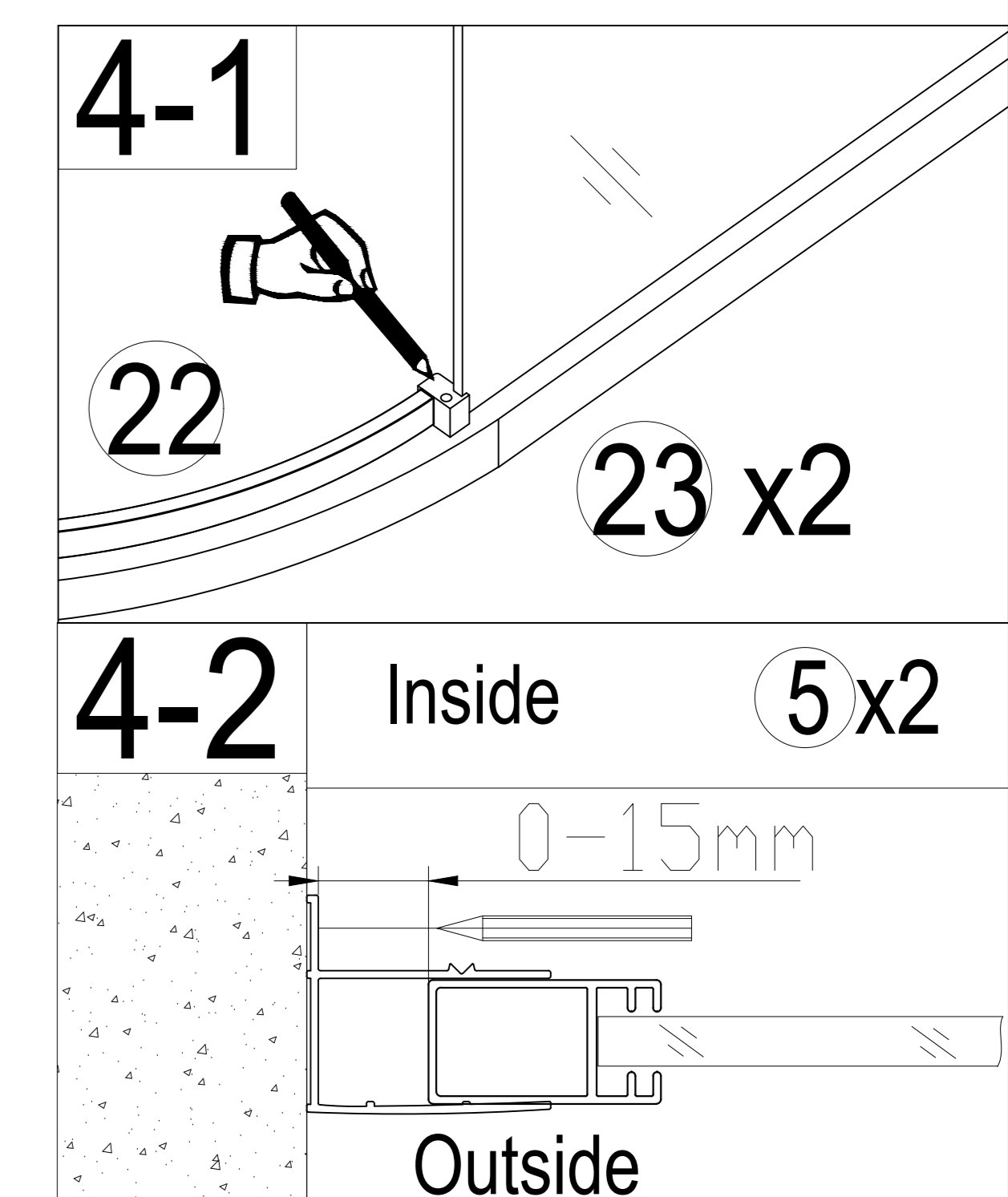
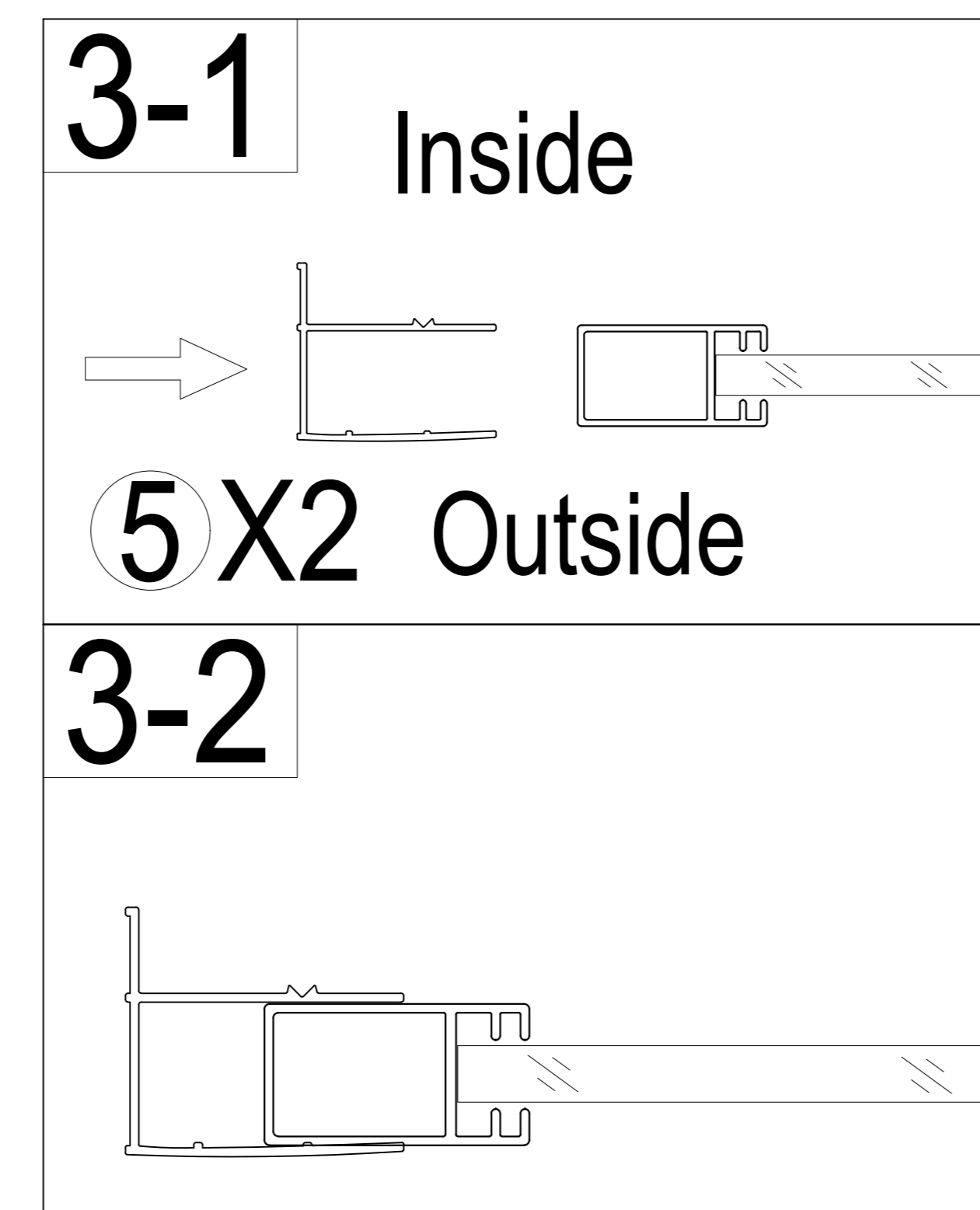
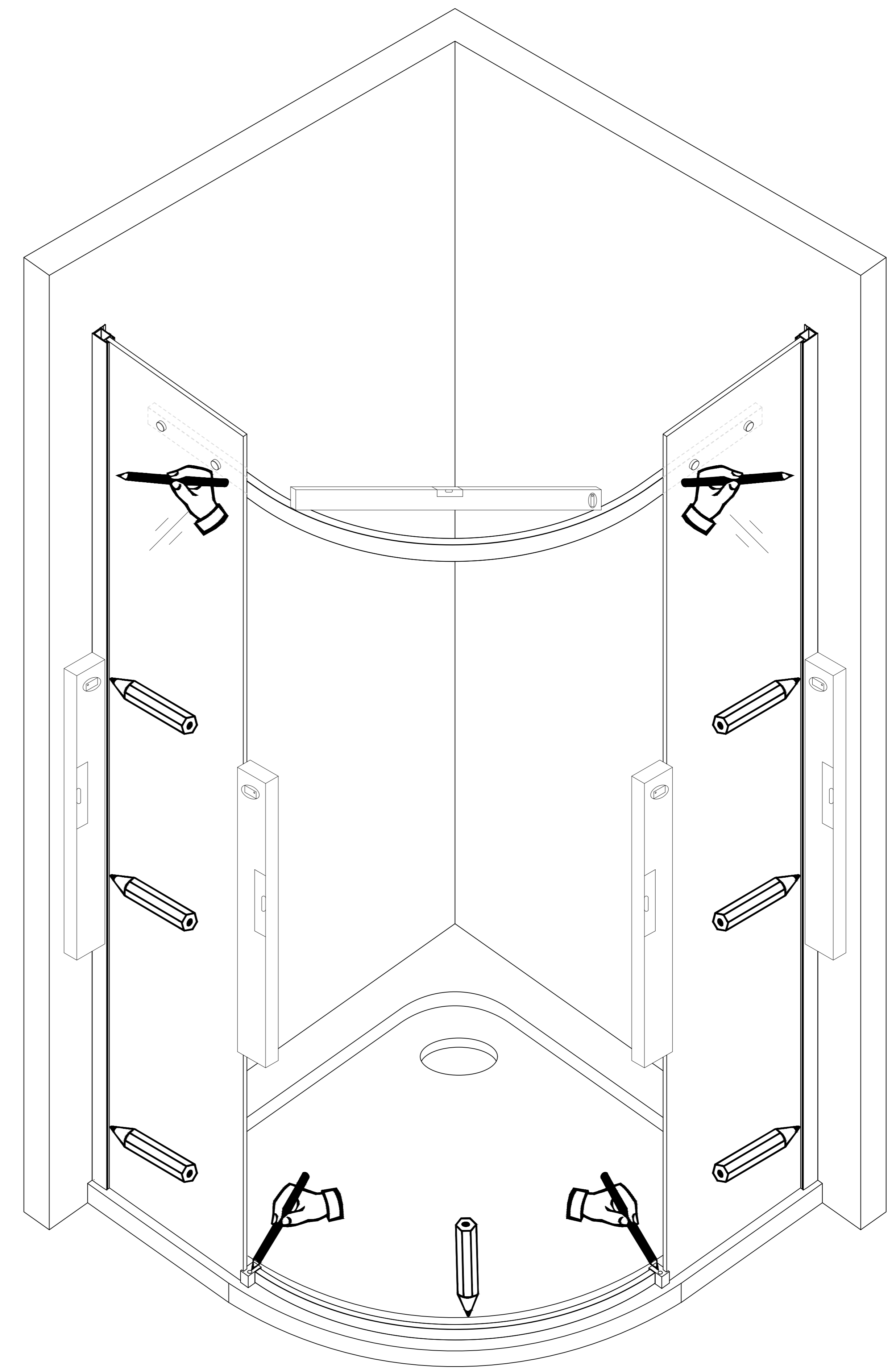
Connect top support bar 16 to fixed glass panels 7 with bolts 14.



3

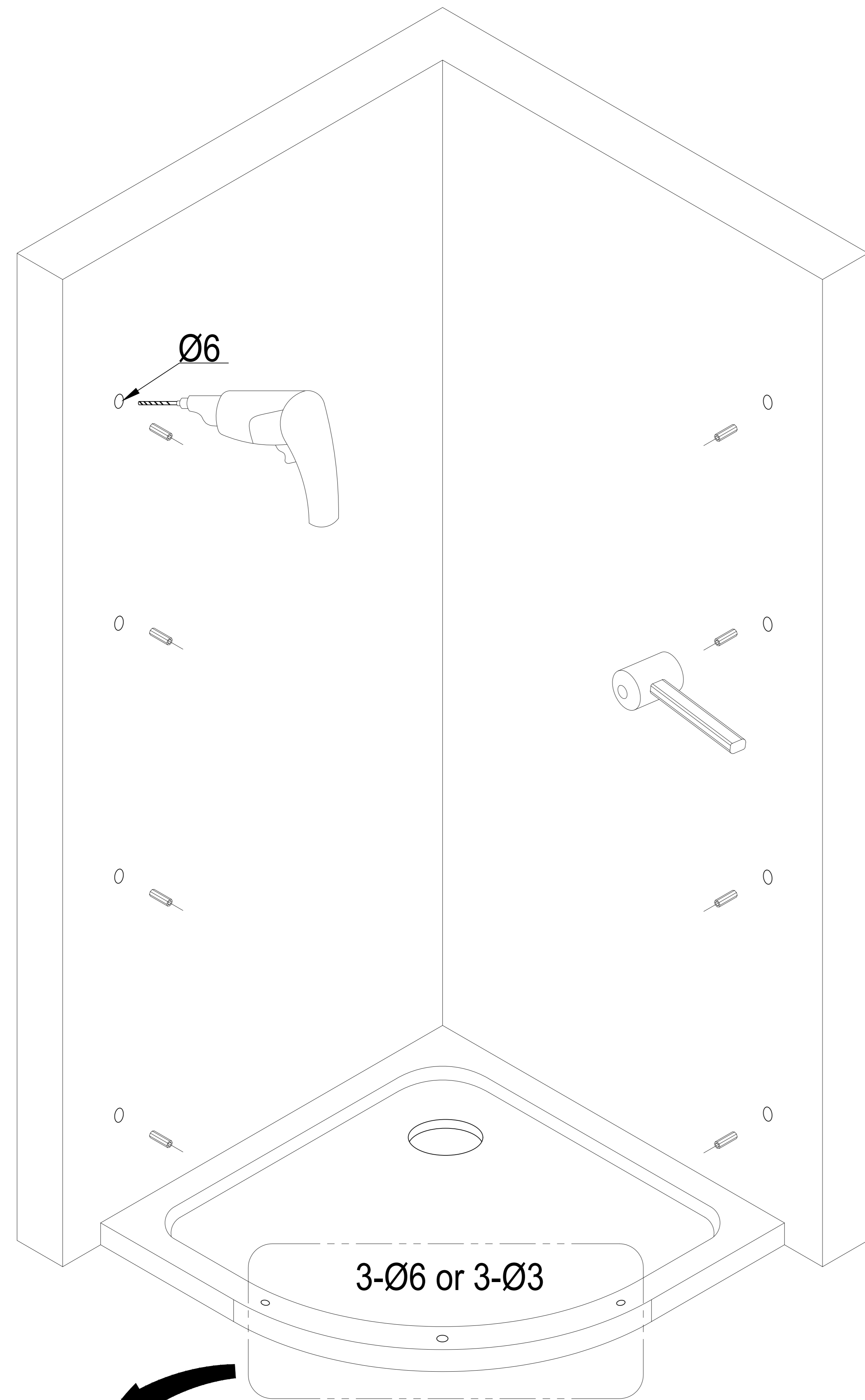


4

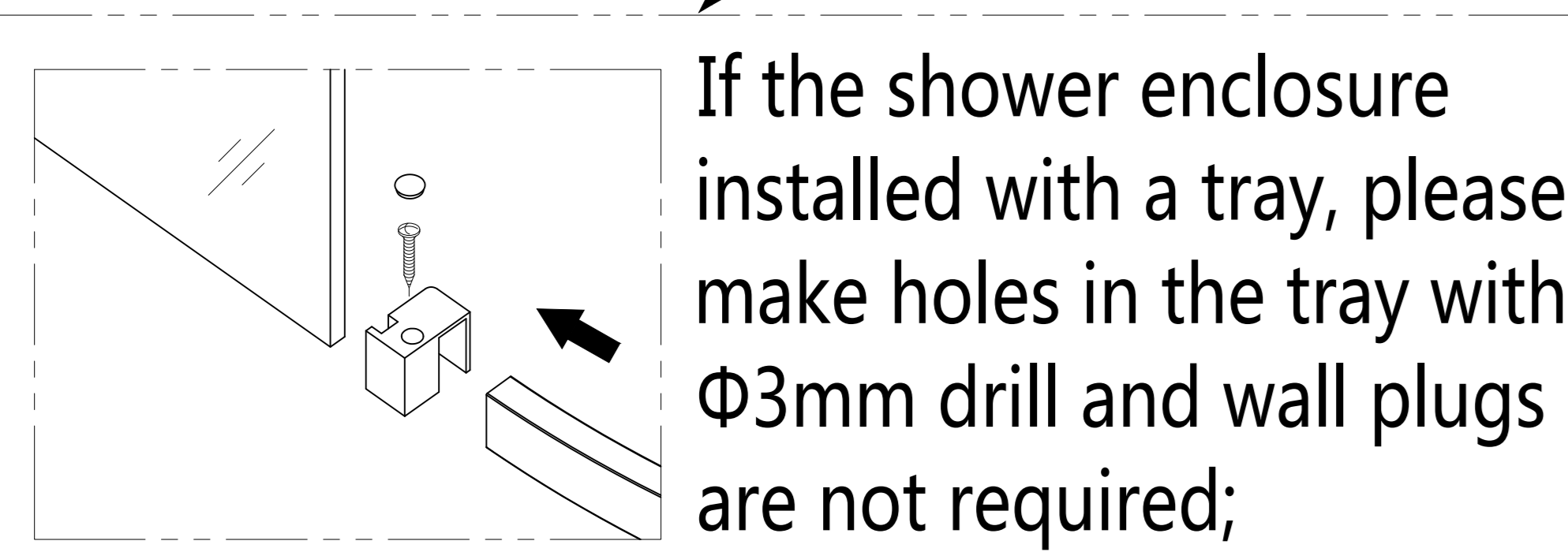
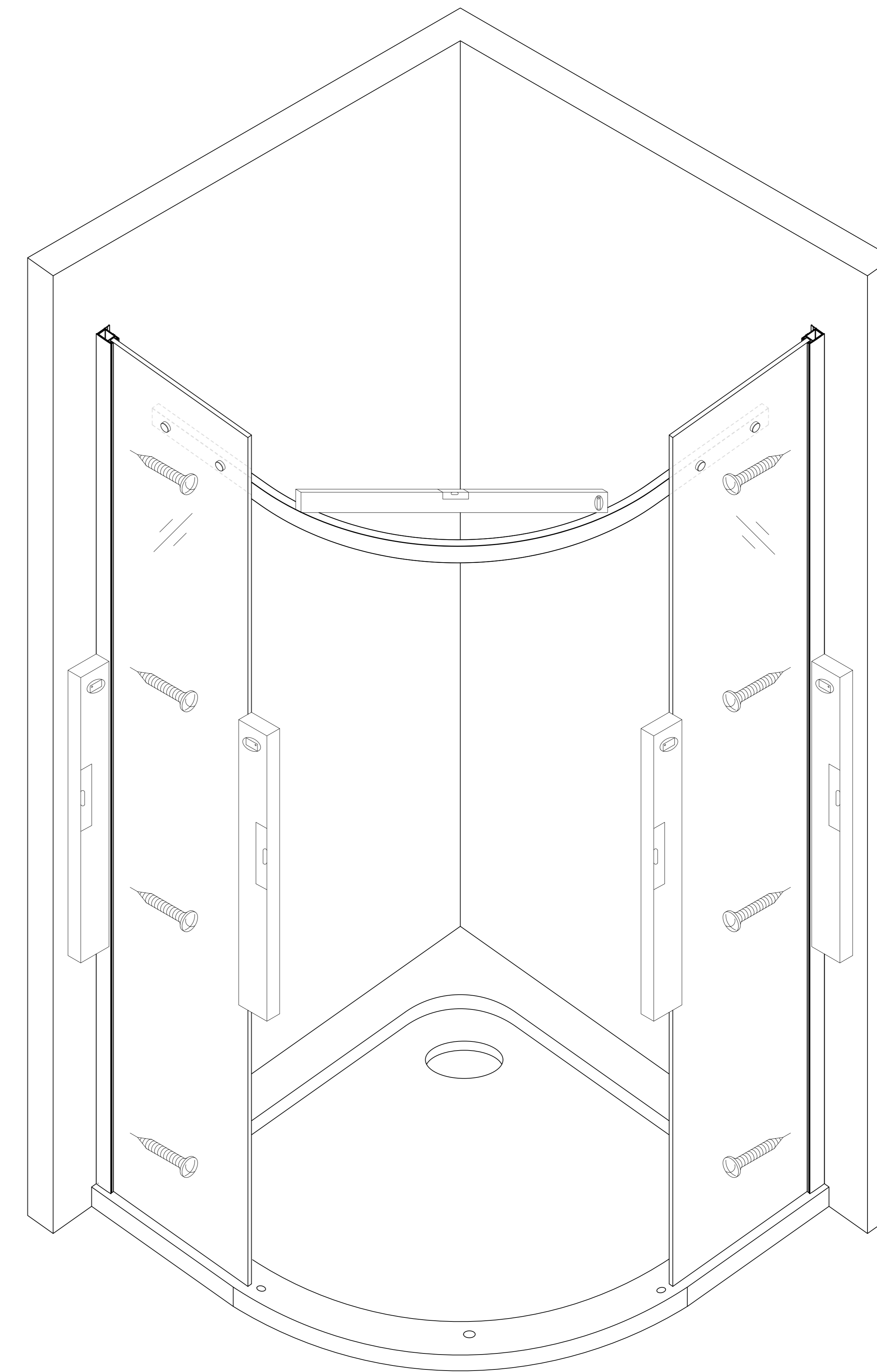


Lift fixed panels with bar attached onto tray for best fit and mark position for wall profiles and bottom rail & rail fixtures

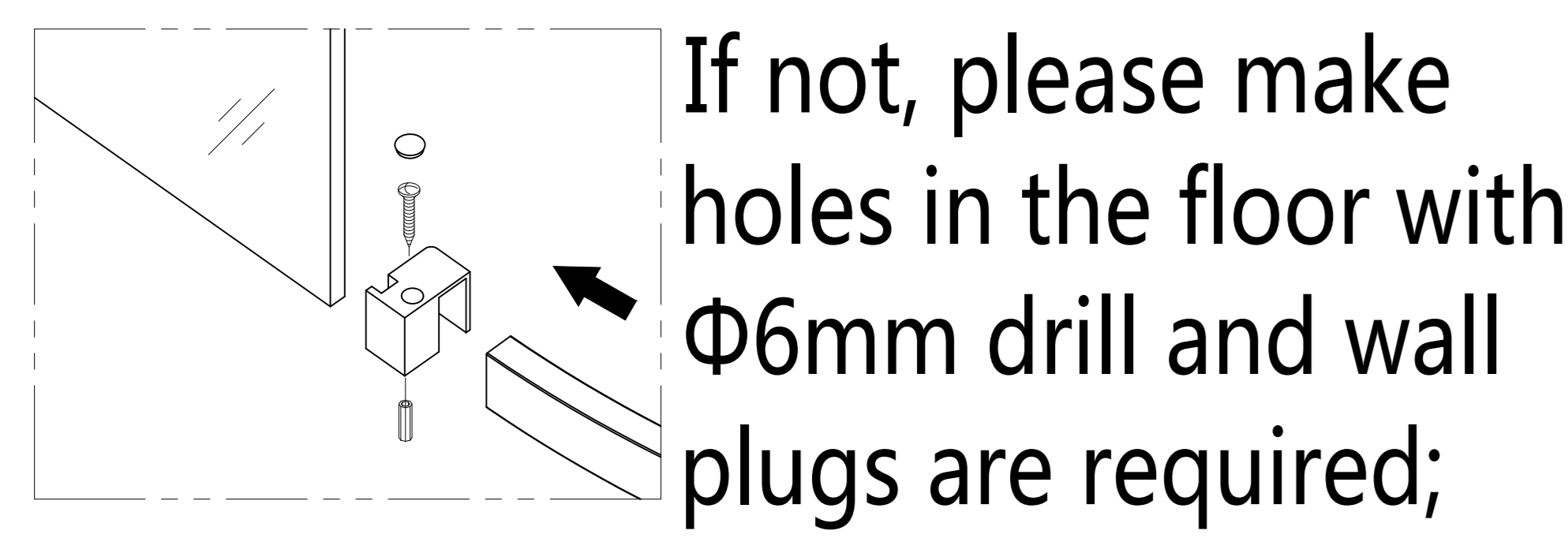
5



6

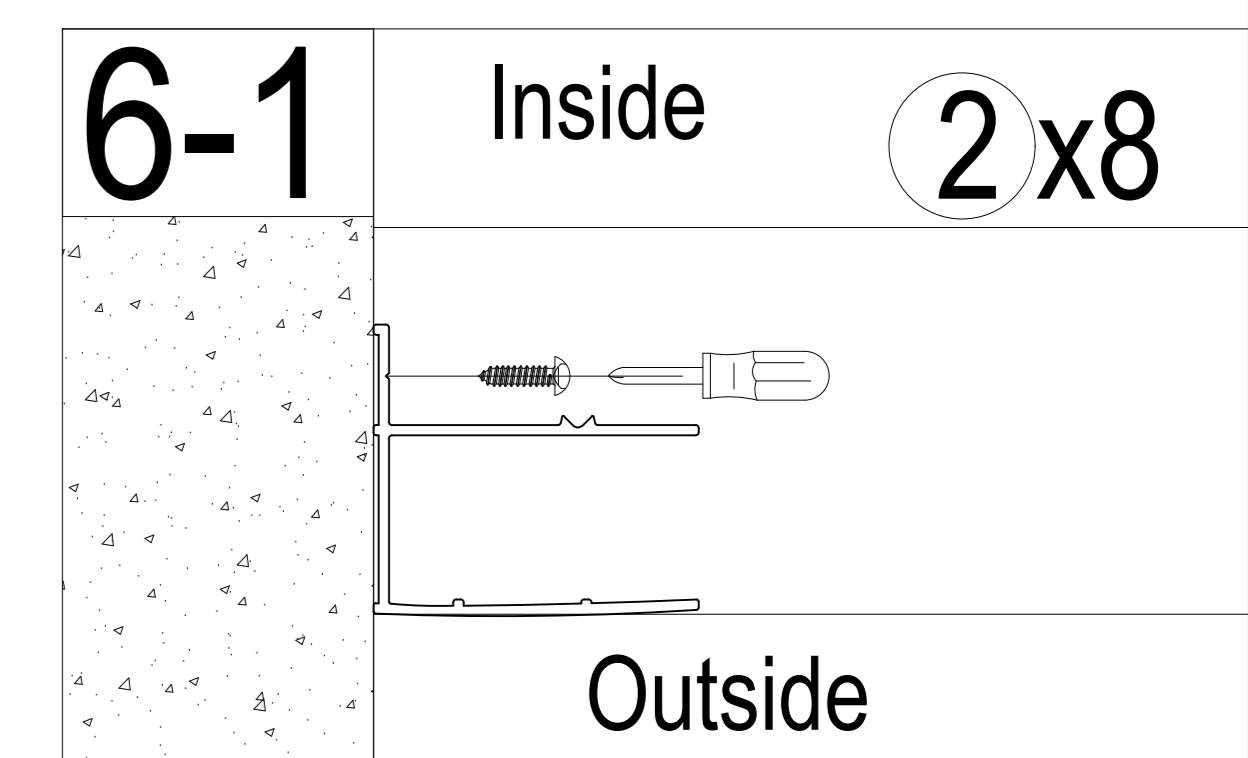
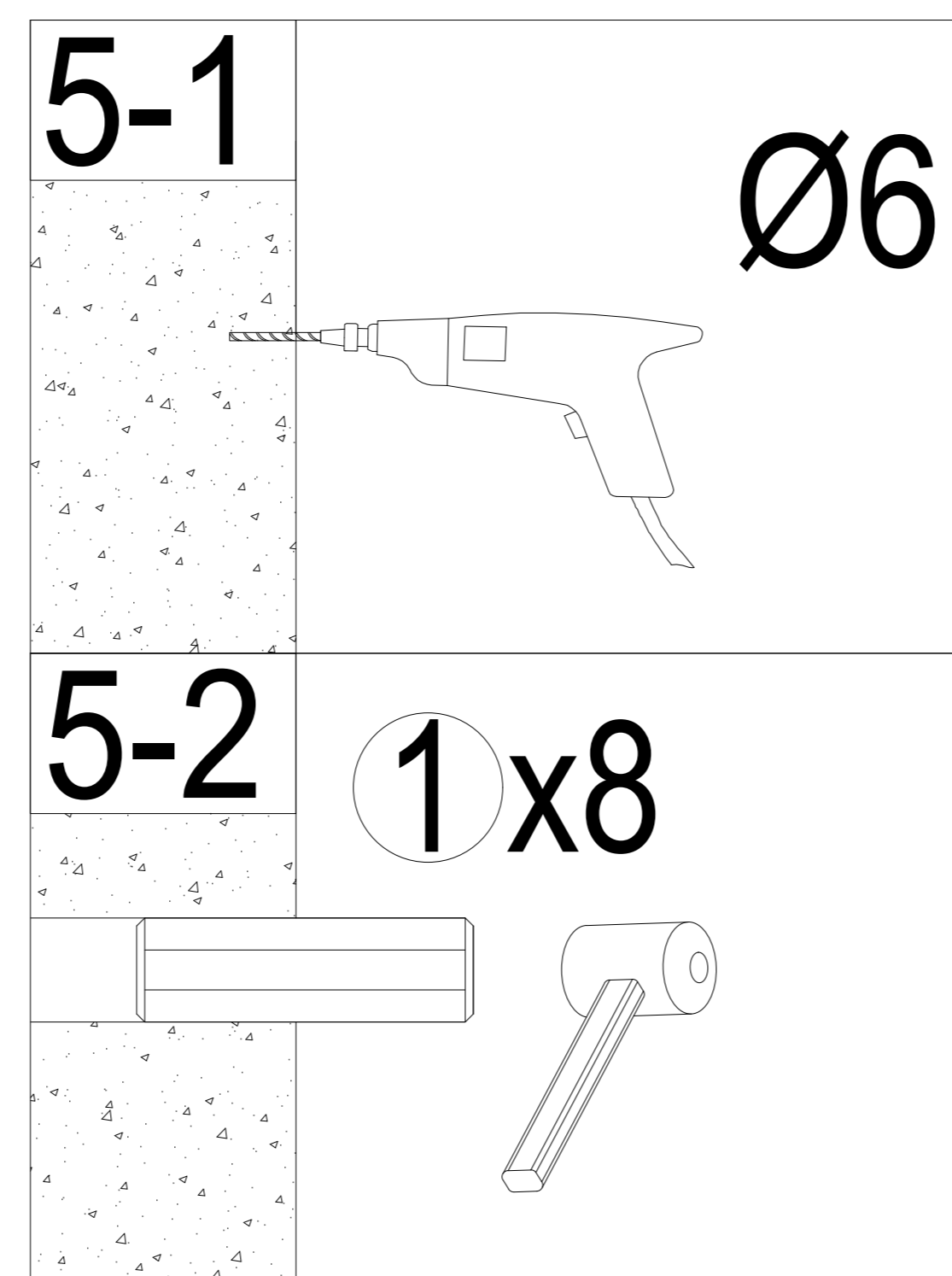


If the shower enclosure installed with a tray, please make holes in the tray with  $\Phi 3\text{mm}$  drill and wall plugs are not required;

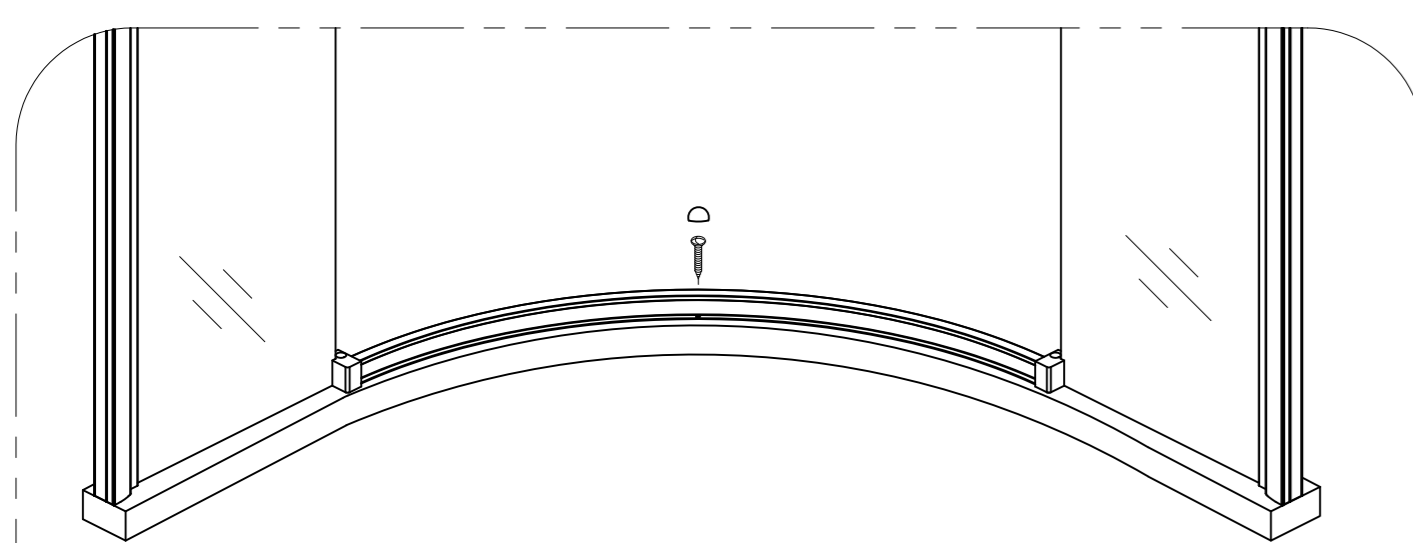
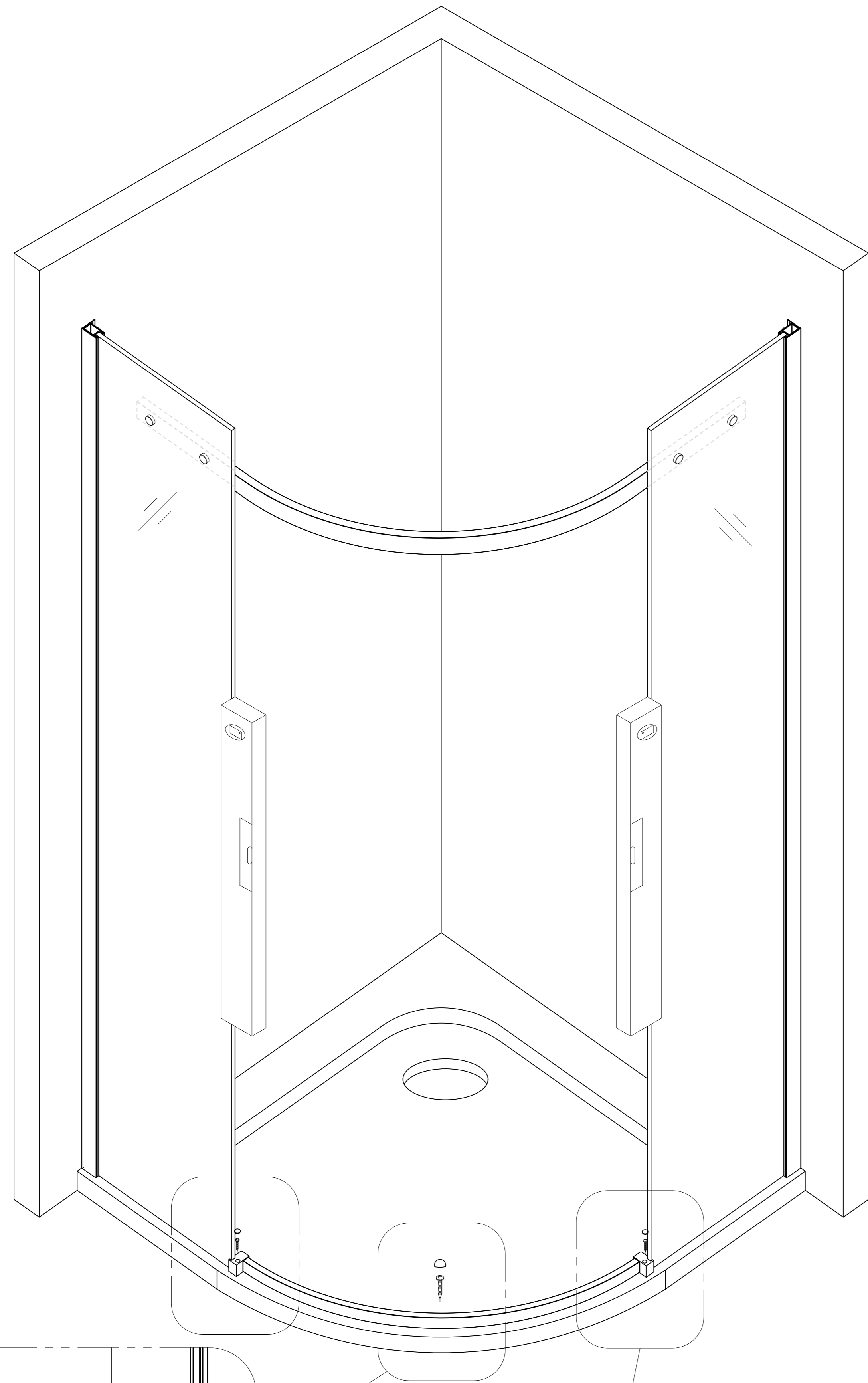


If not, please make holes in the floor with  $\Phi 6\text{mm}$  drill and wall plugs are required;

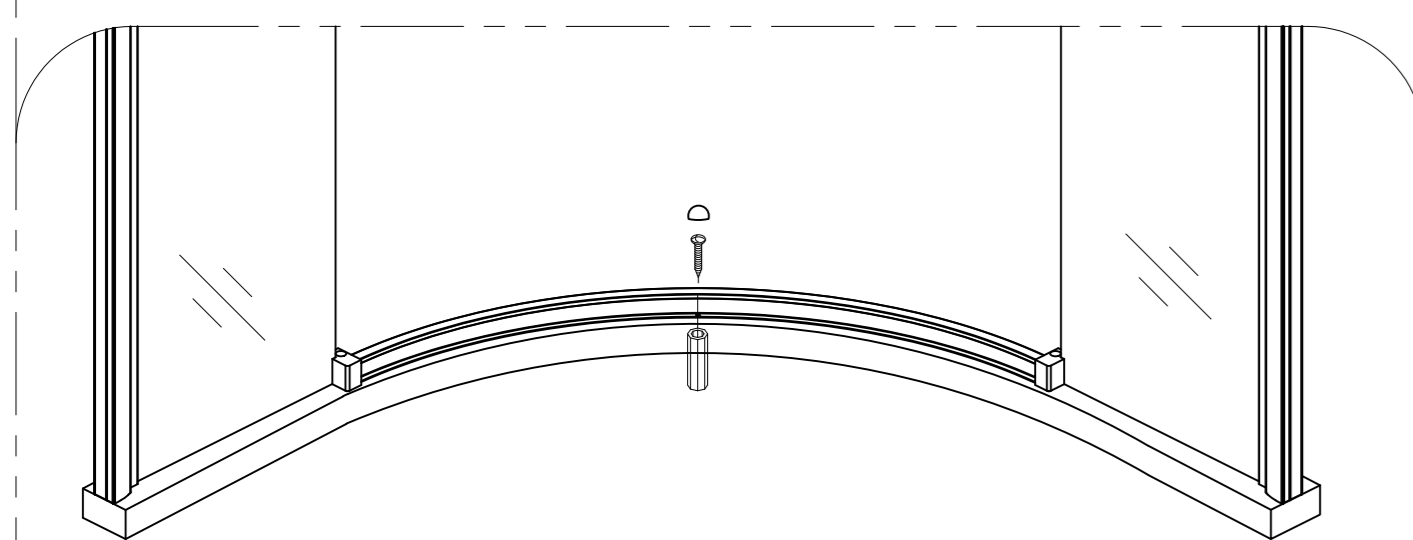
Installing wall profiles - checking levels



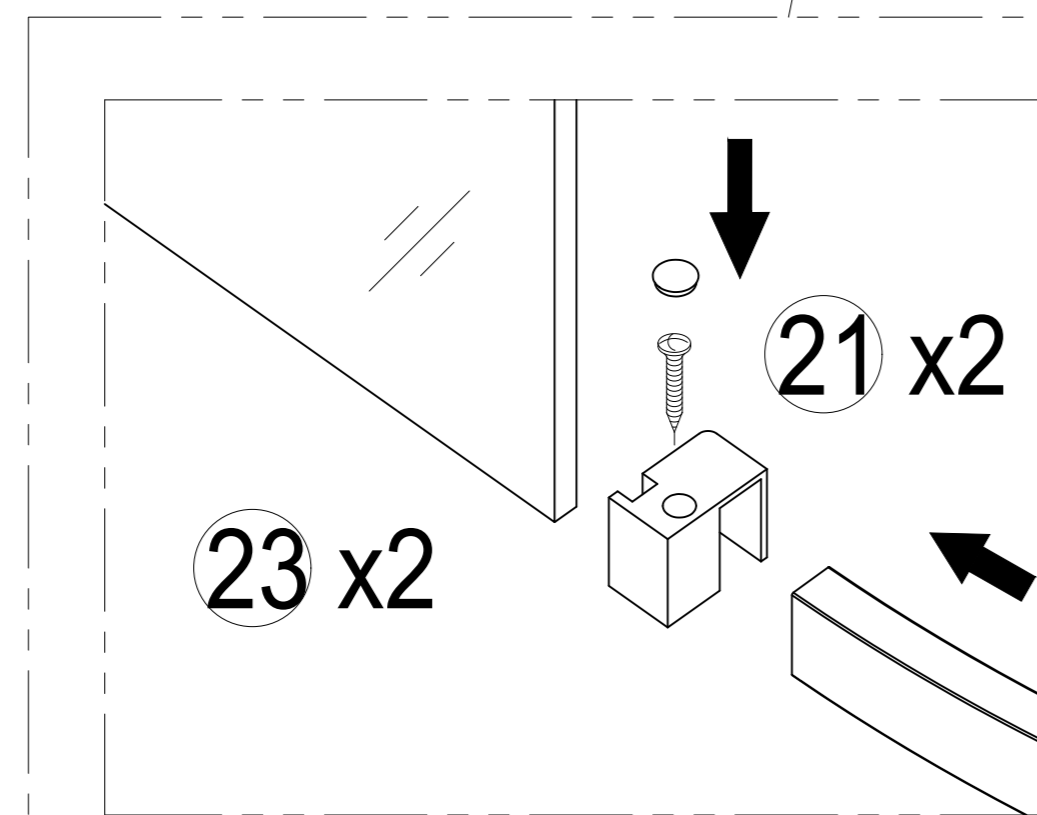
7



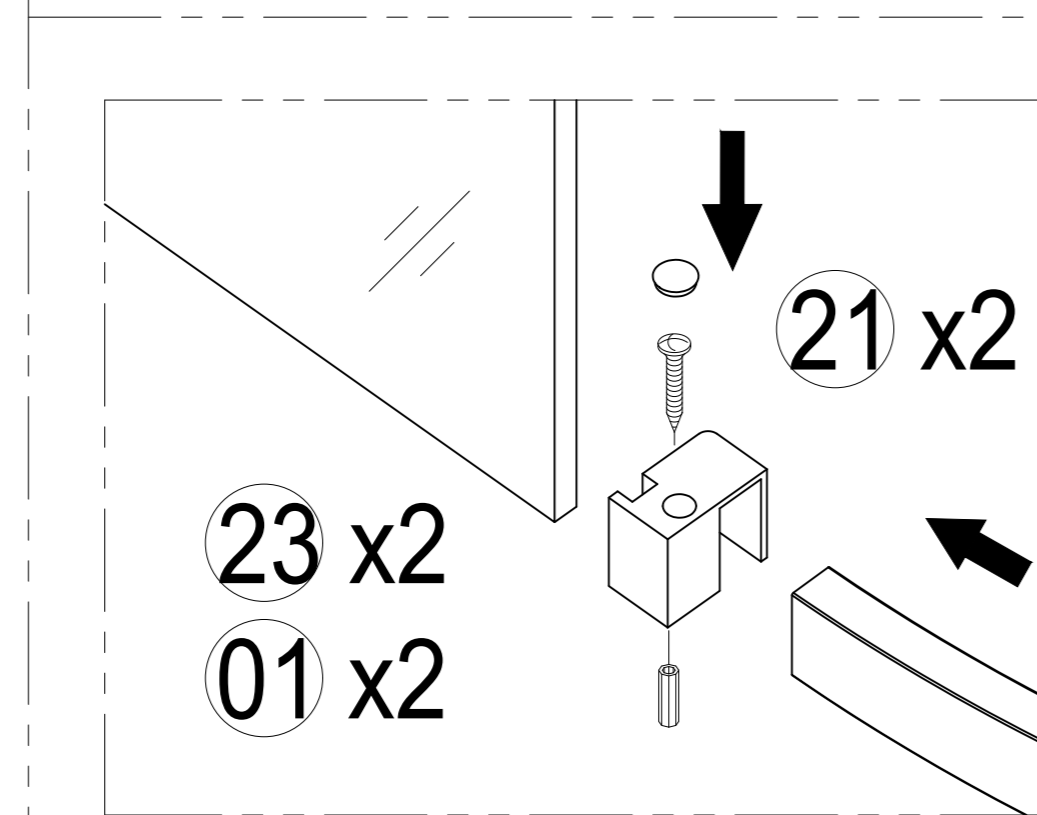
02 x1  
25 x1  
If the shower enclosure installed with a tray, please make holes in the tray with  $\Phi 3\text{mm}$  drill and wall plugs are not required;



02 x1  
25 x1  
01 x1  
If not, please make holes in the floor with  $\Phi 6\text{mm}$  drill and wall plugs are required;



23 x2  
21 x2  
If the shower enclosure installed with a tray, please make holes in the tray with  $\Phi 3\text{mm}$  drill and wall plugs are not required;

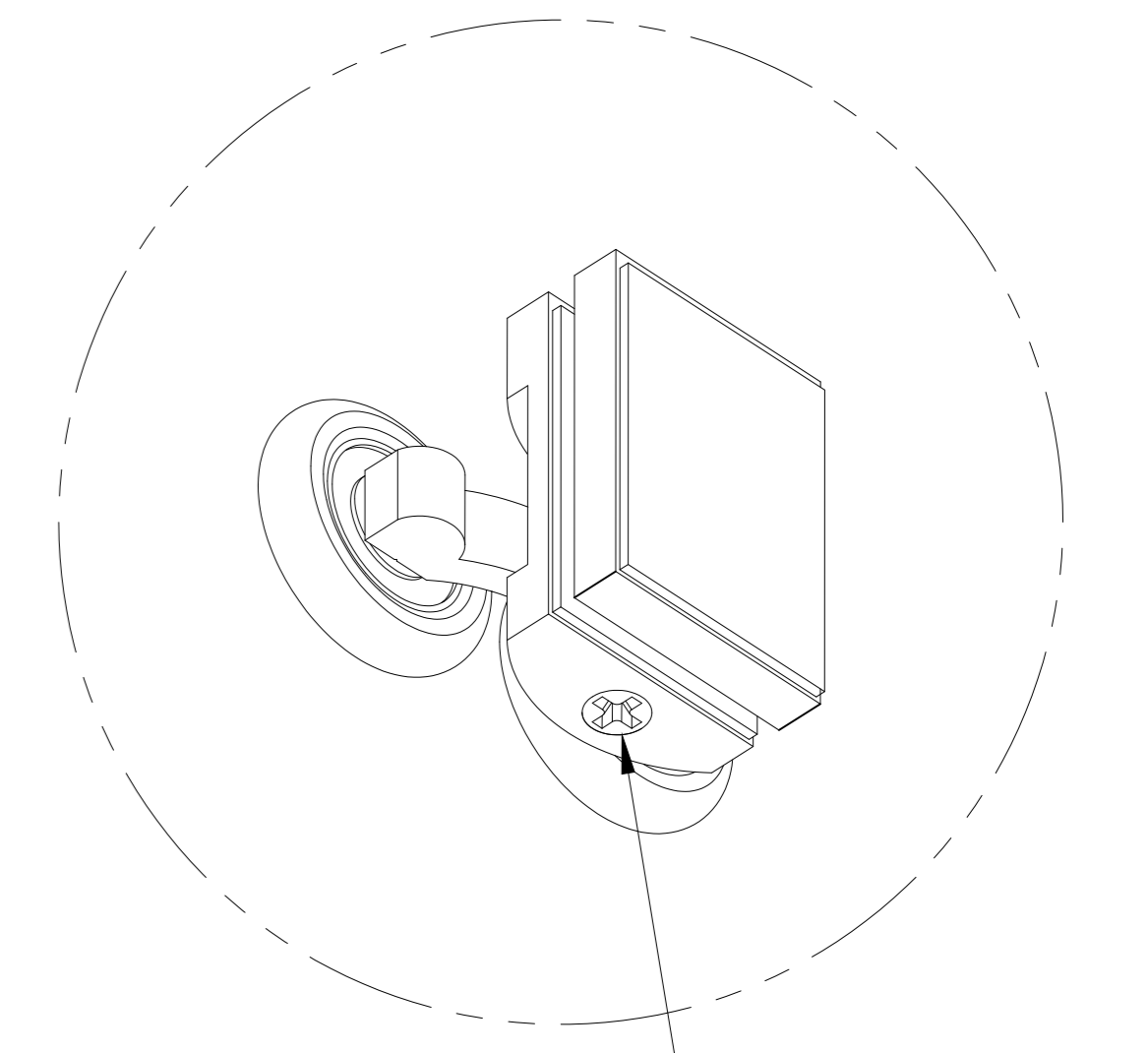


23 x2  
01 x2  
21 x2  
If not, please make holes in the floor with  $\Phi 6\text{mm}$  drill and wall plugs are required;

Install panels + frame ensuring fixing for bottom frame are screwed to the tray.

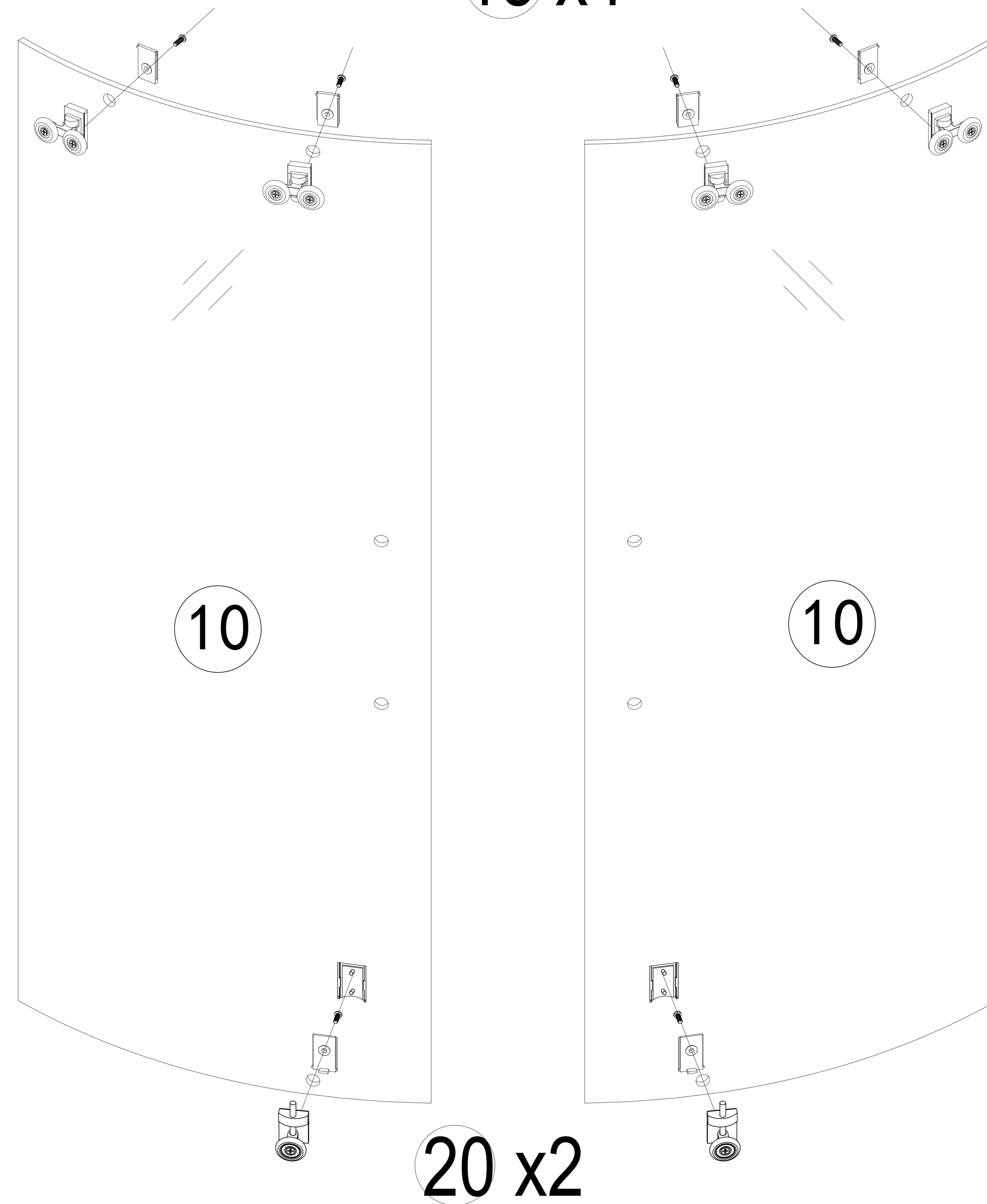
8

Pls don't fully tighten the roller screws.



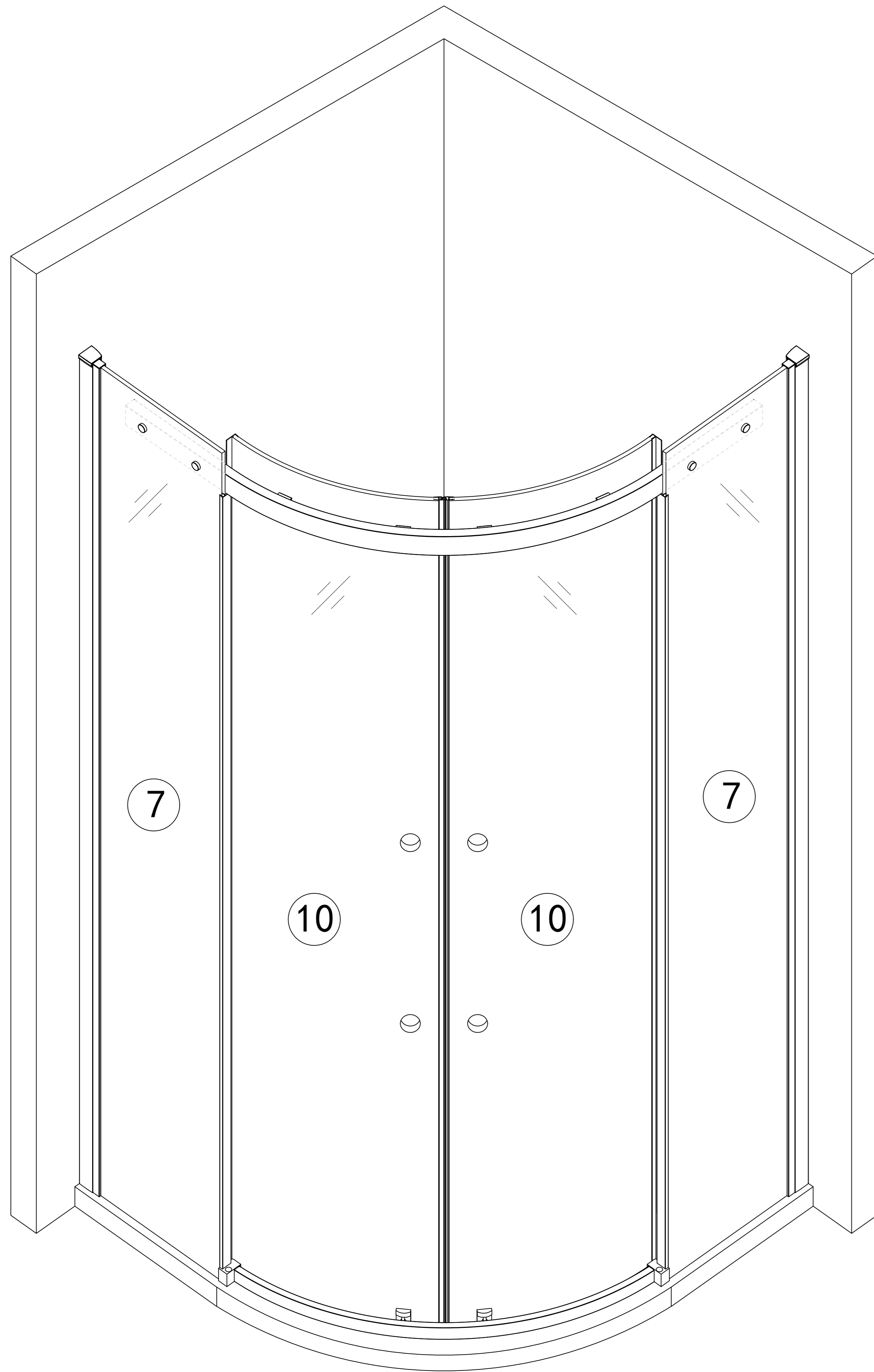
This side faces downward

15 x4

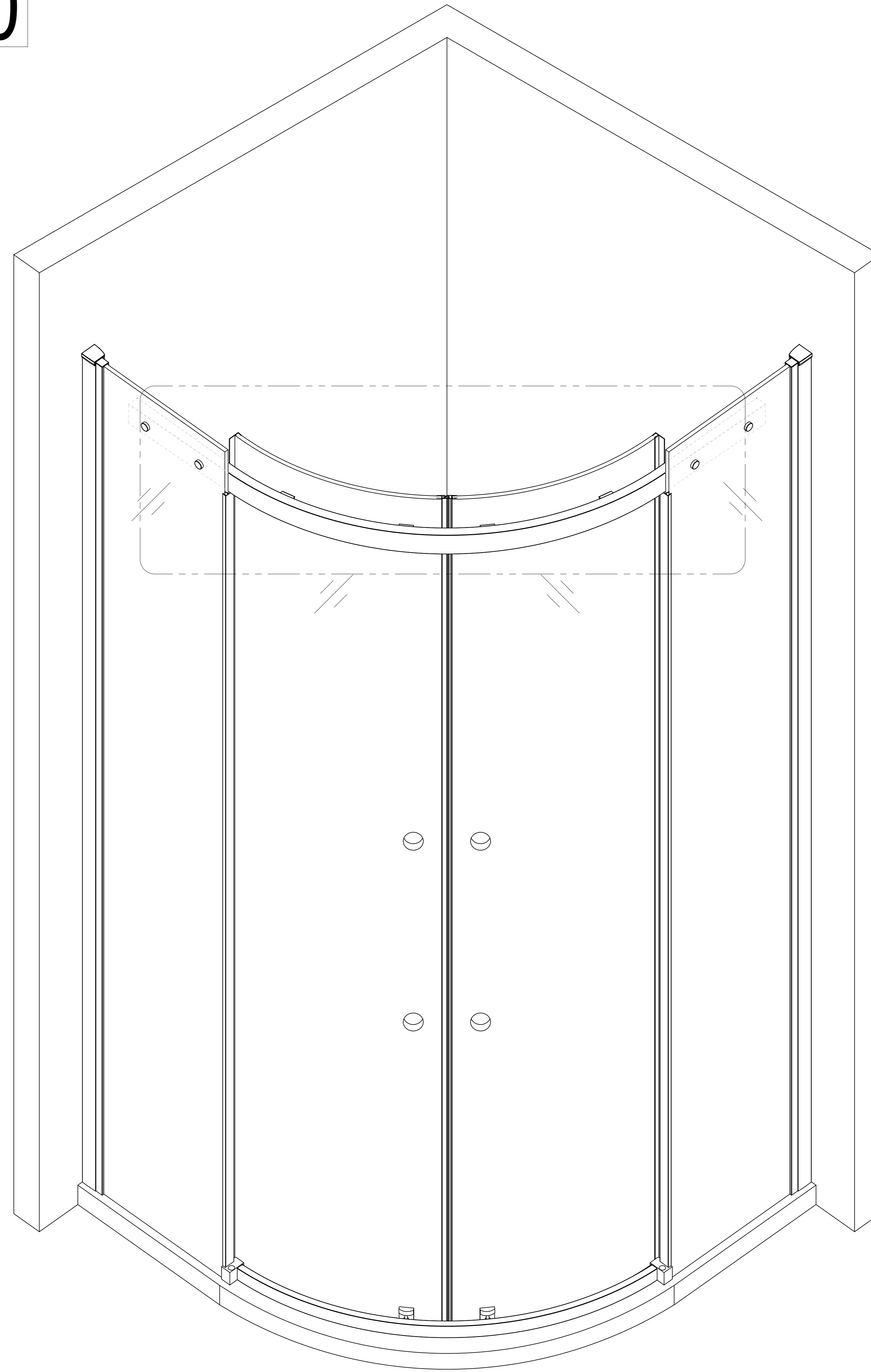


Fit rollers to door

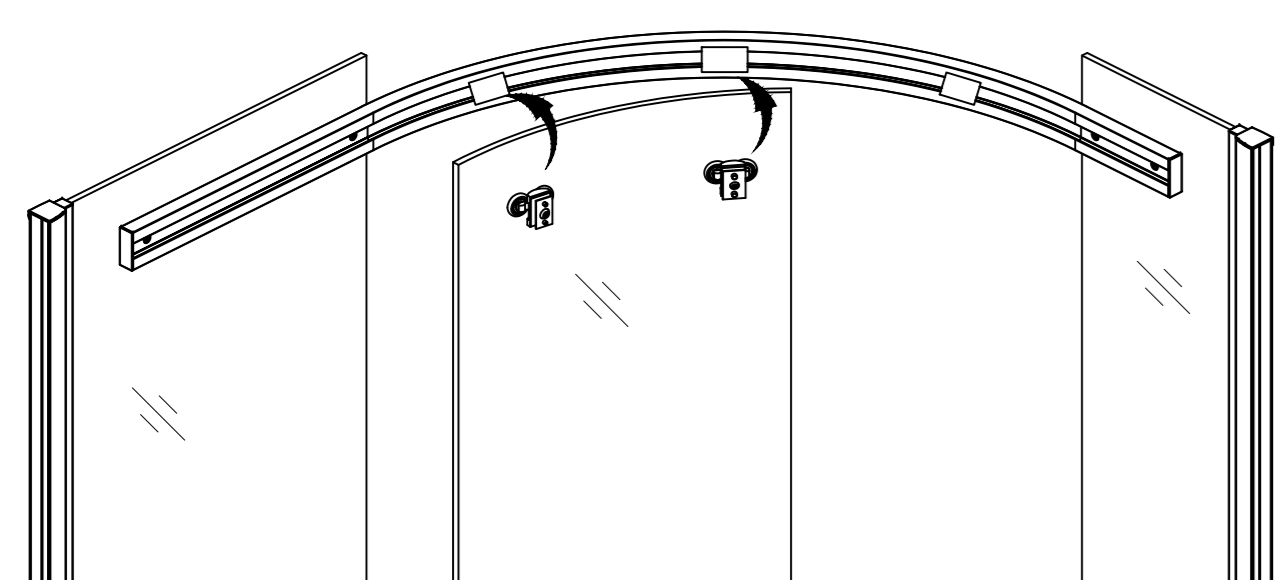
9



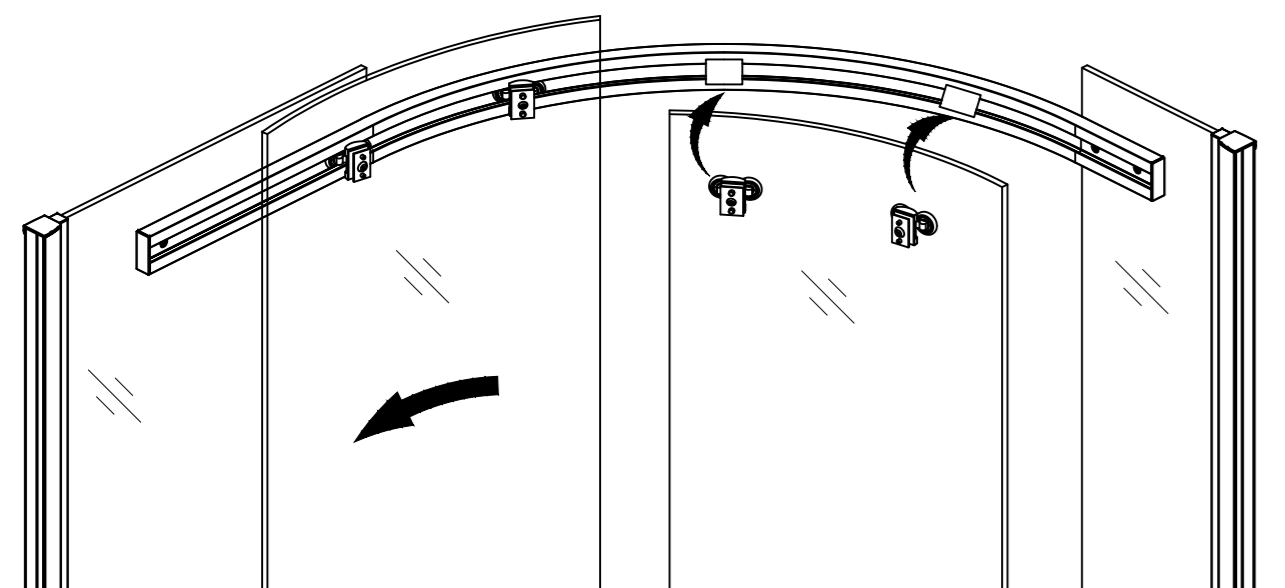
10



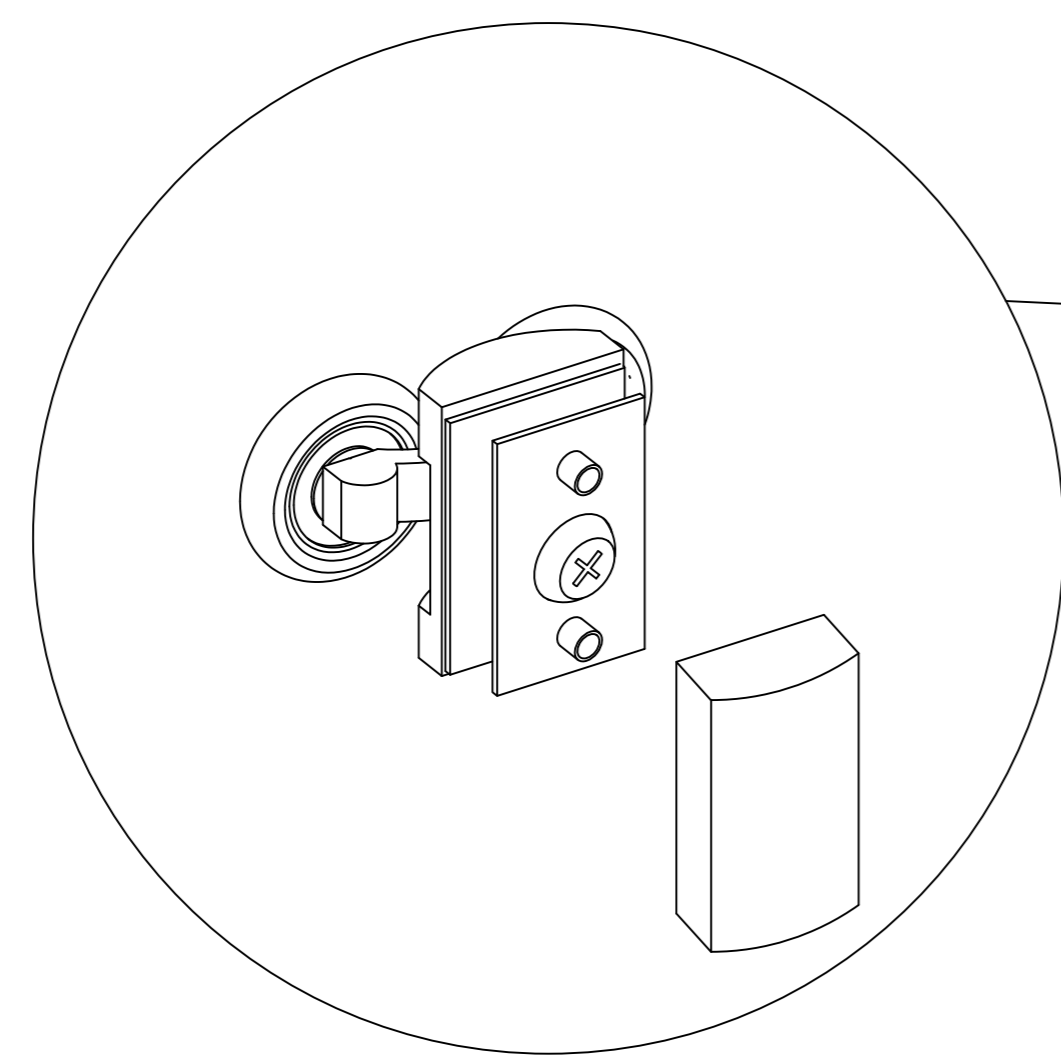
9-1



9-2

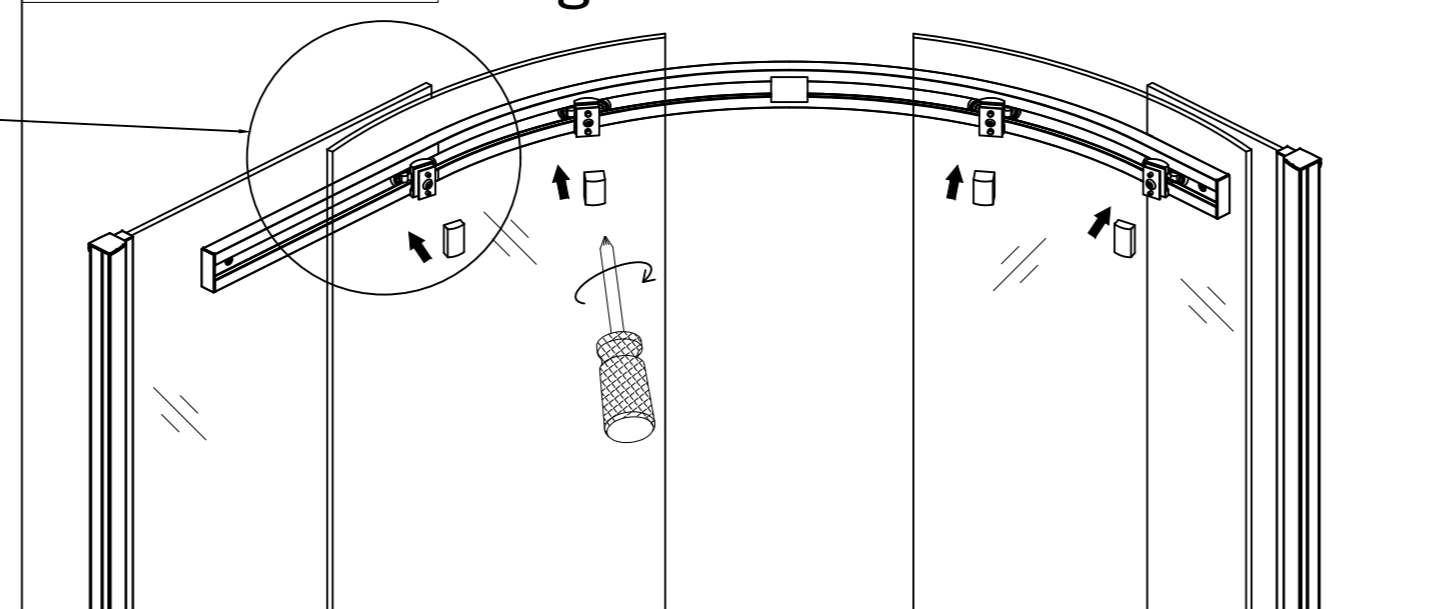


Fit doors onto frame

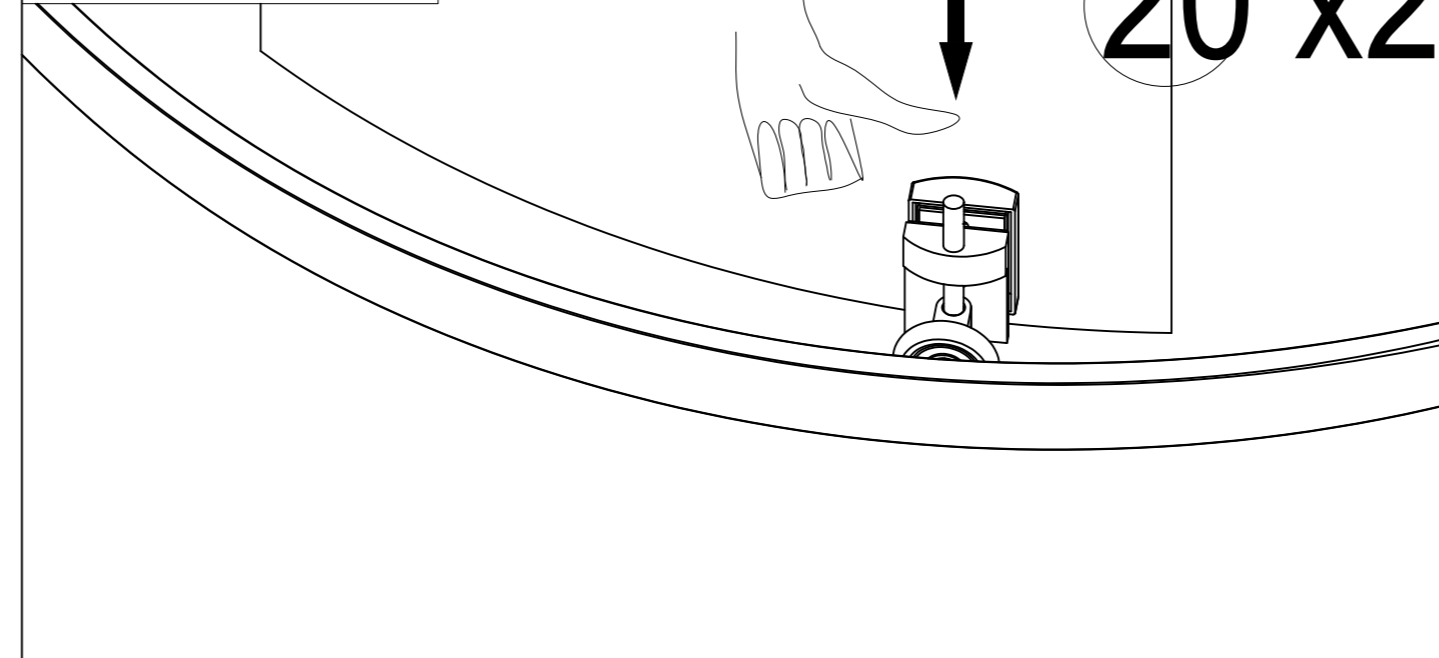


9-3

Pls make sure the rollers are level before well tightened the screws.

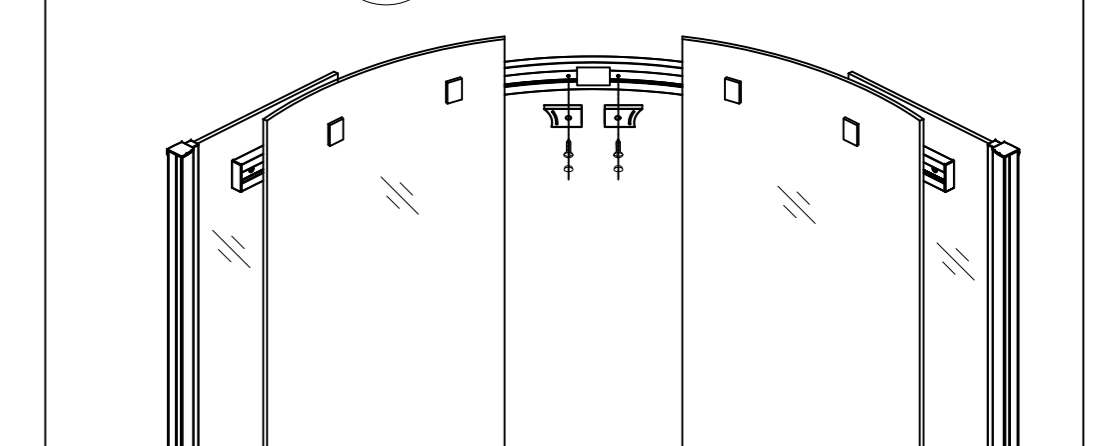


9-4

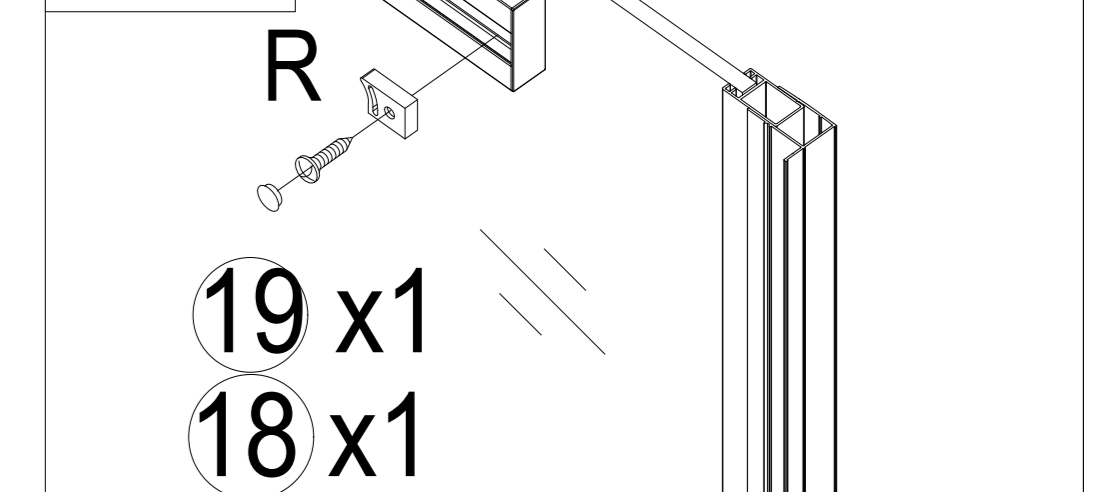


Add door stops to top rail

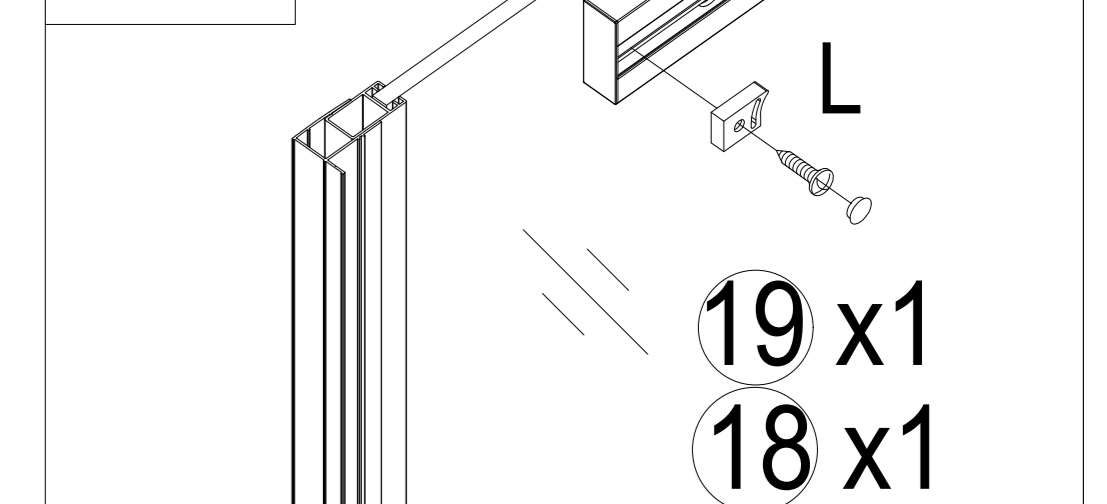
10-1 19 x 2 18 x 2



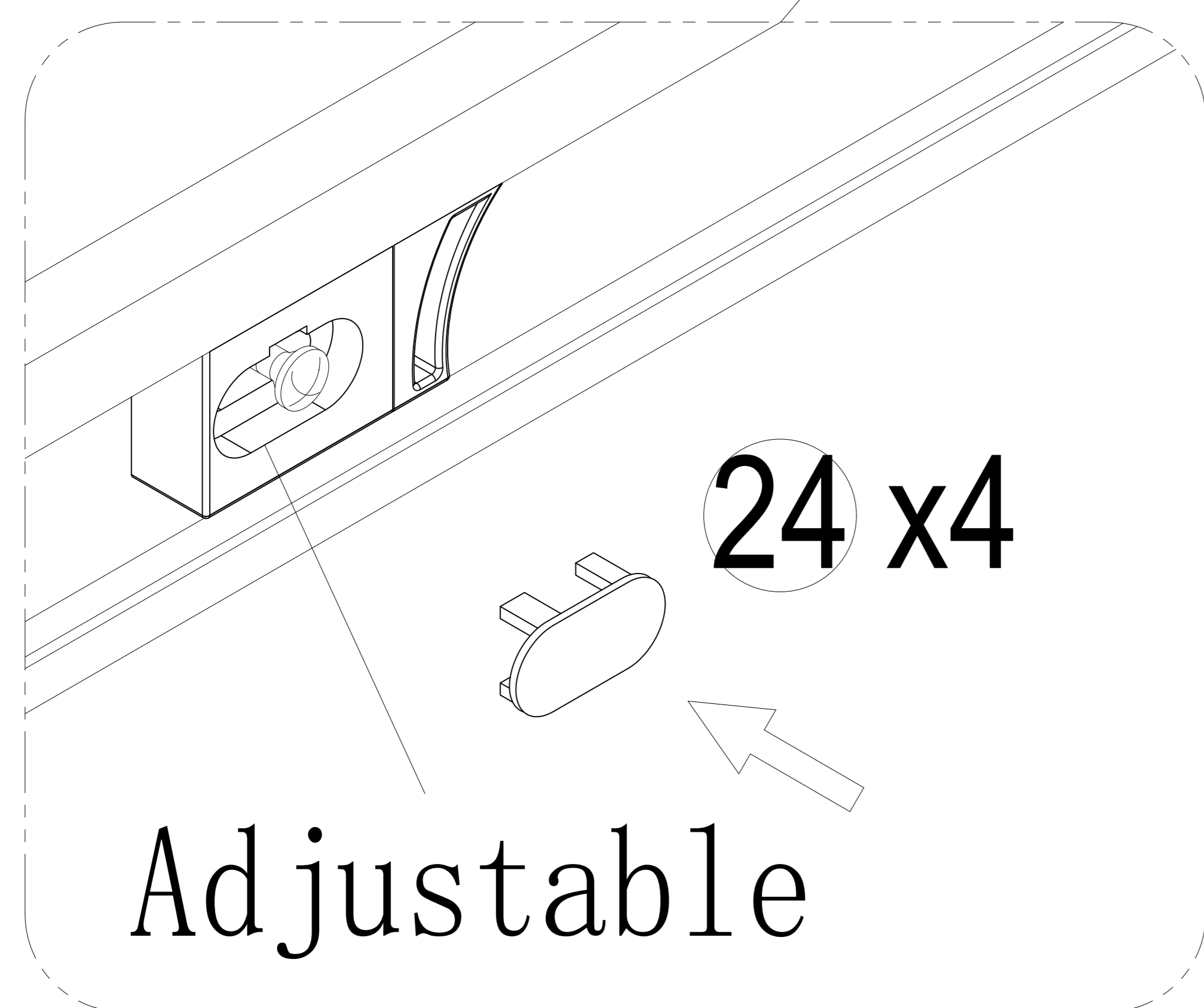
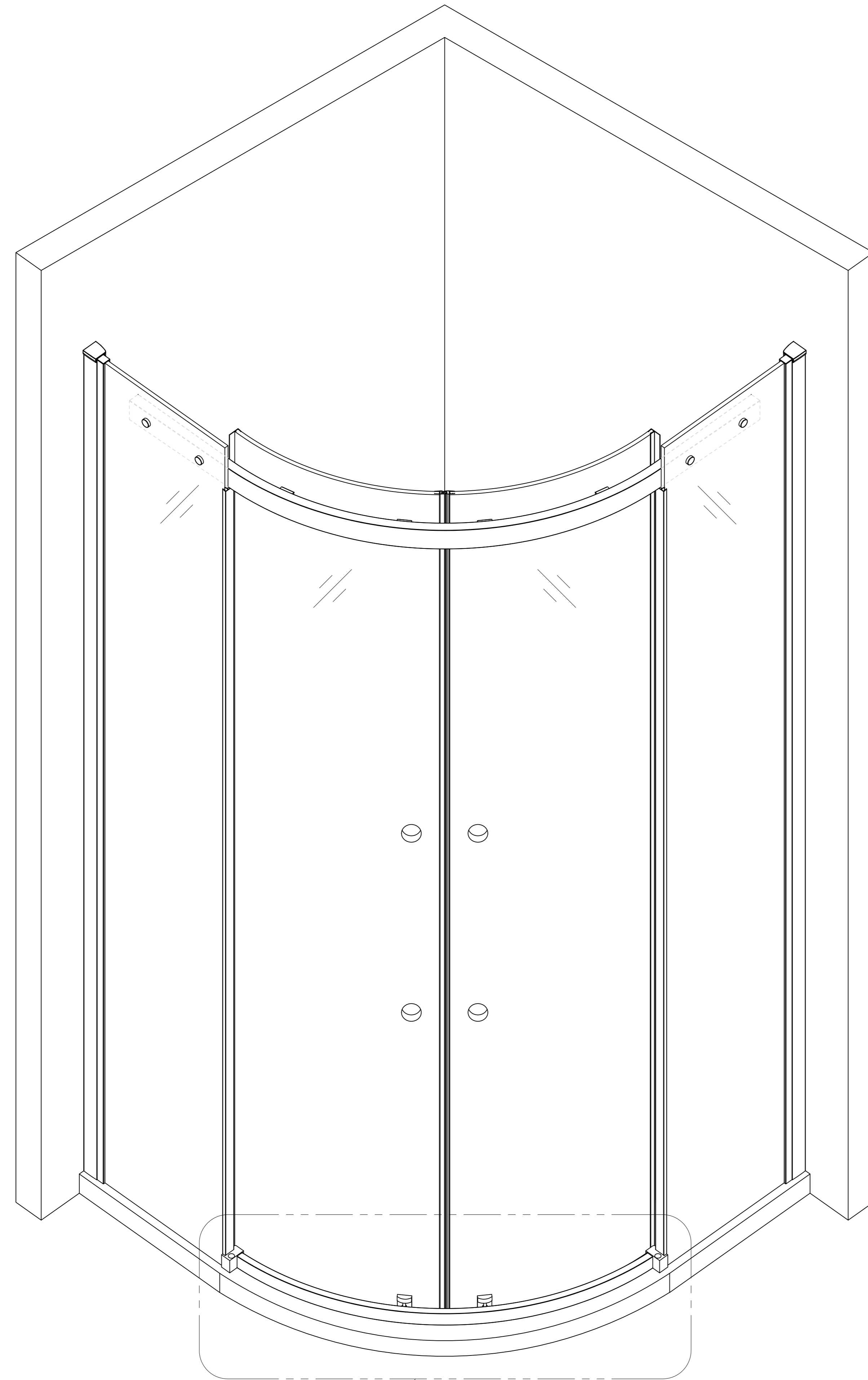
10-2



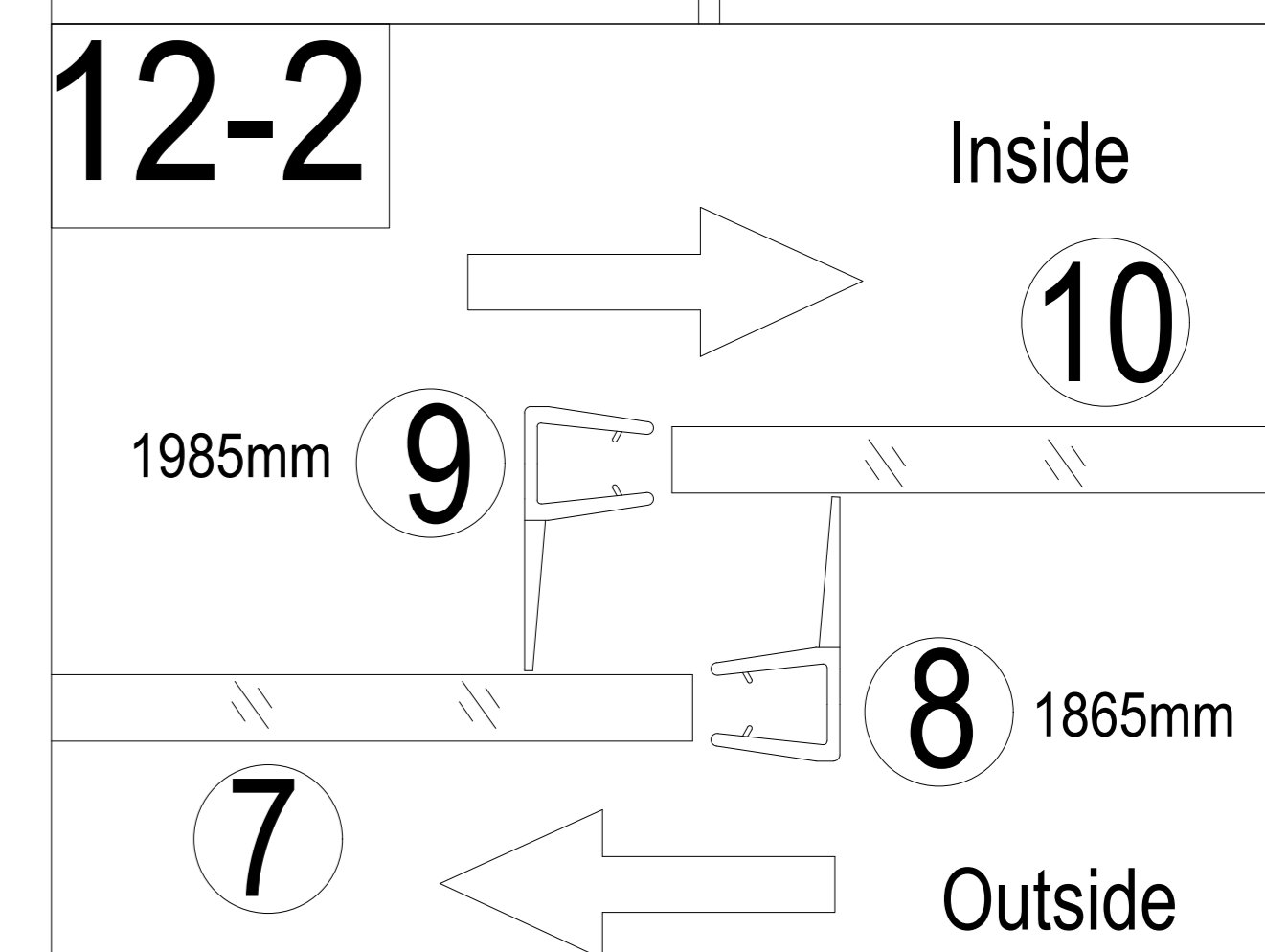
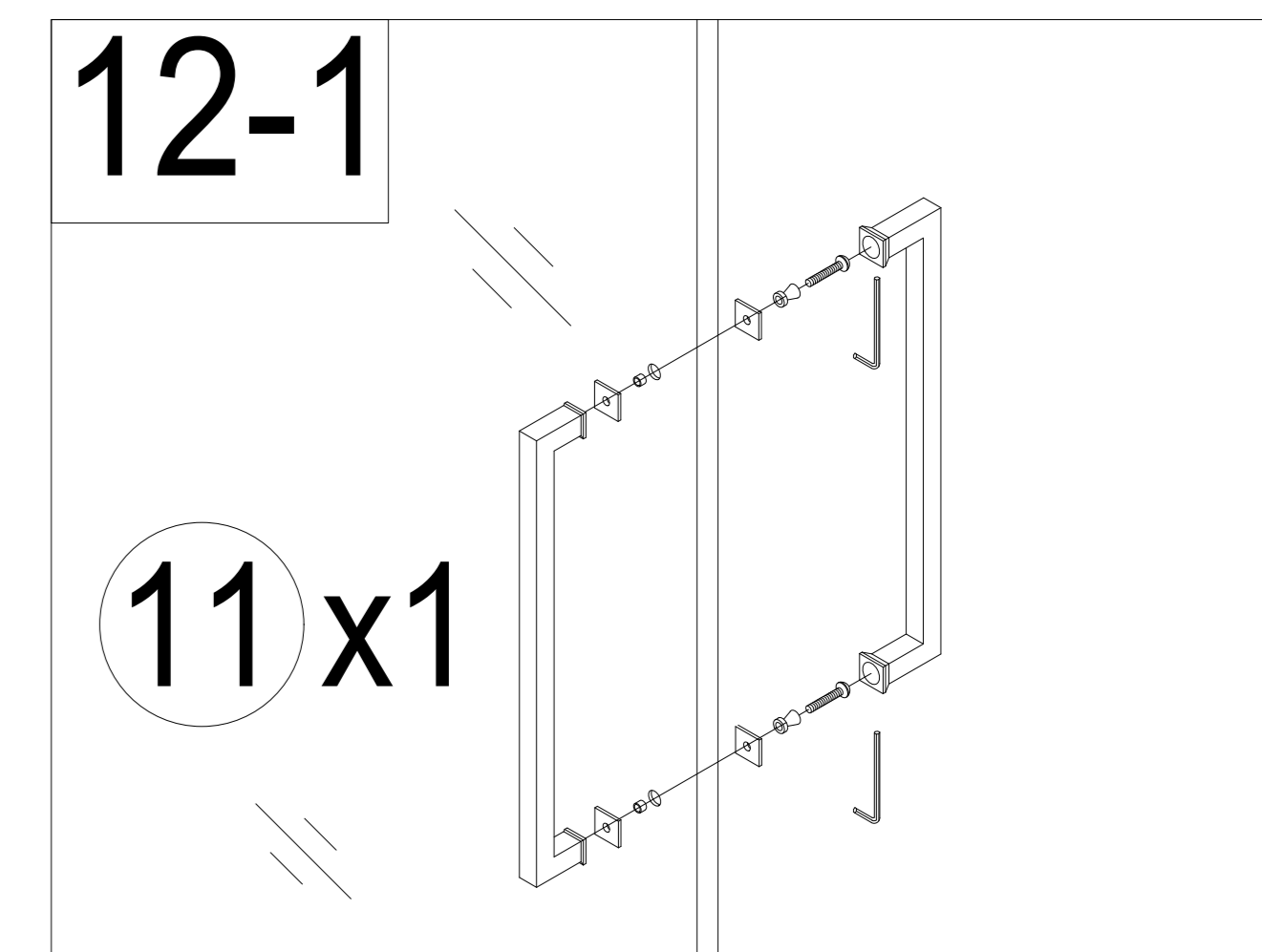
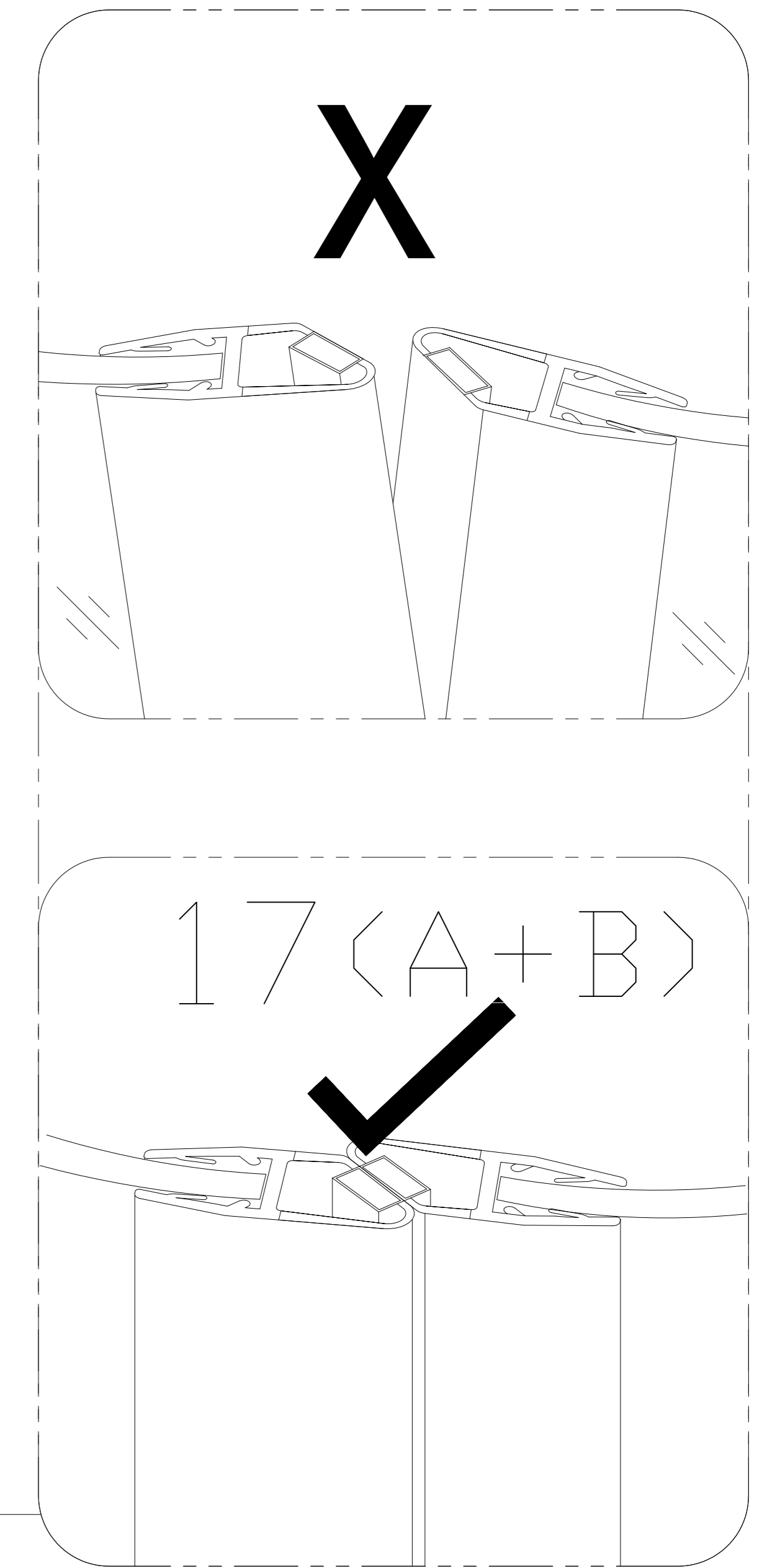
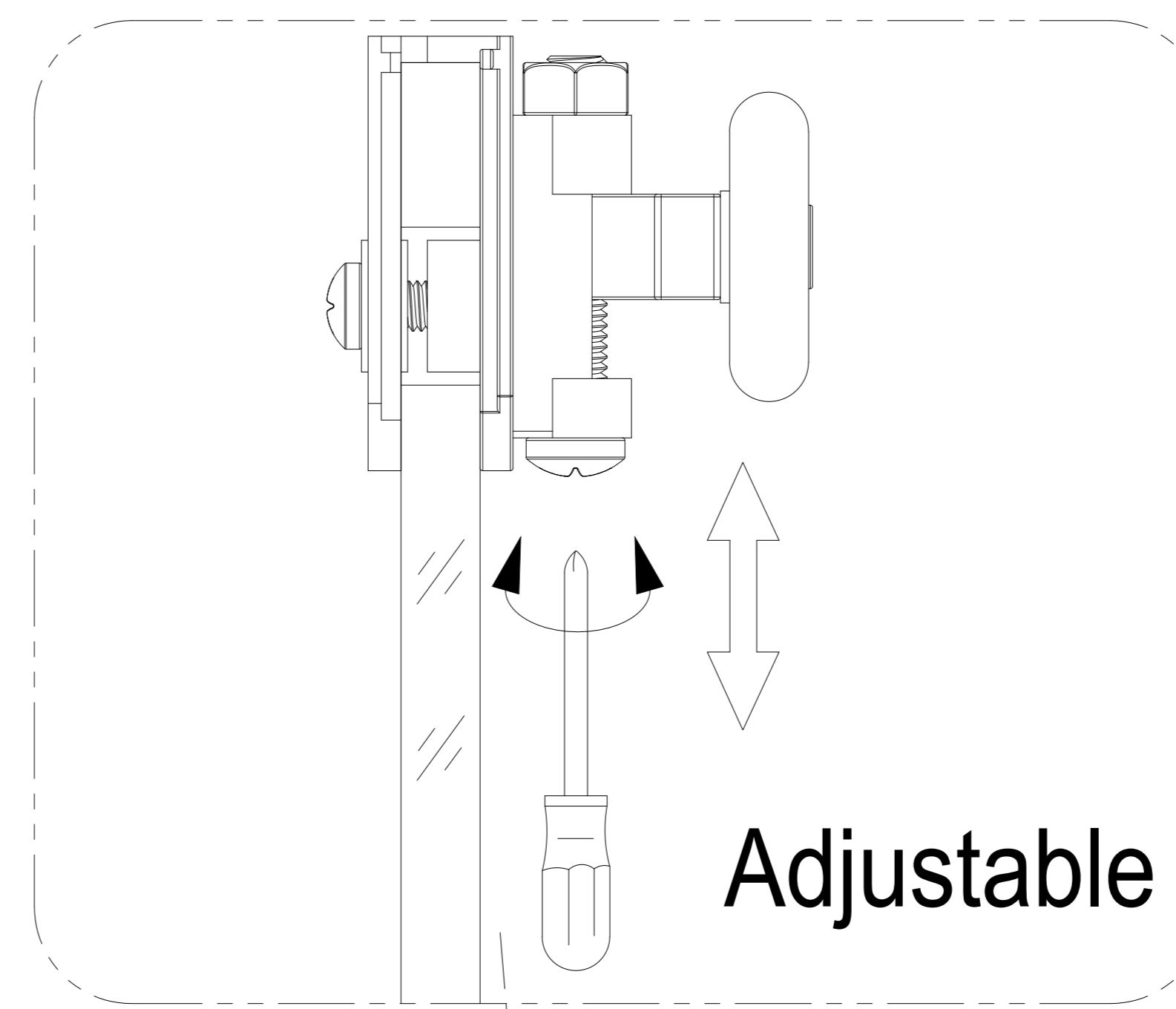
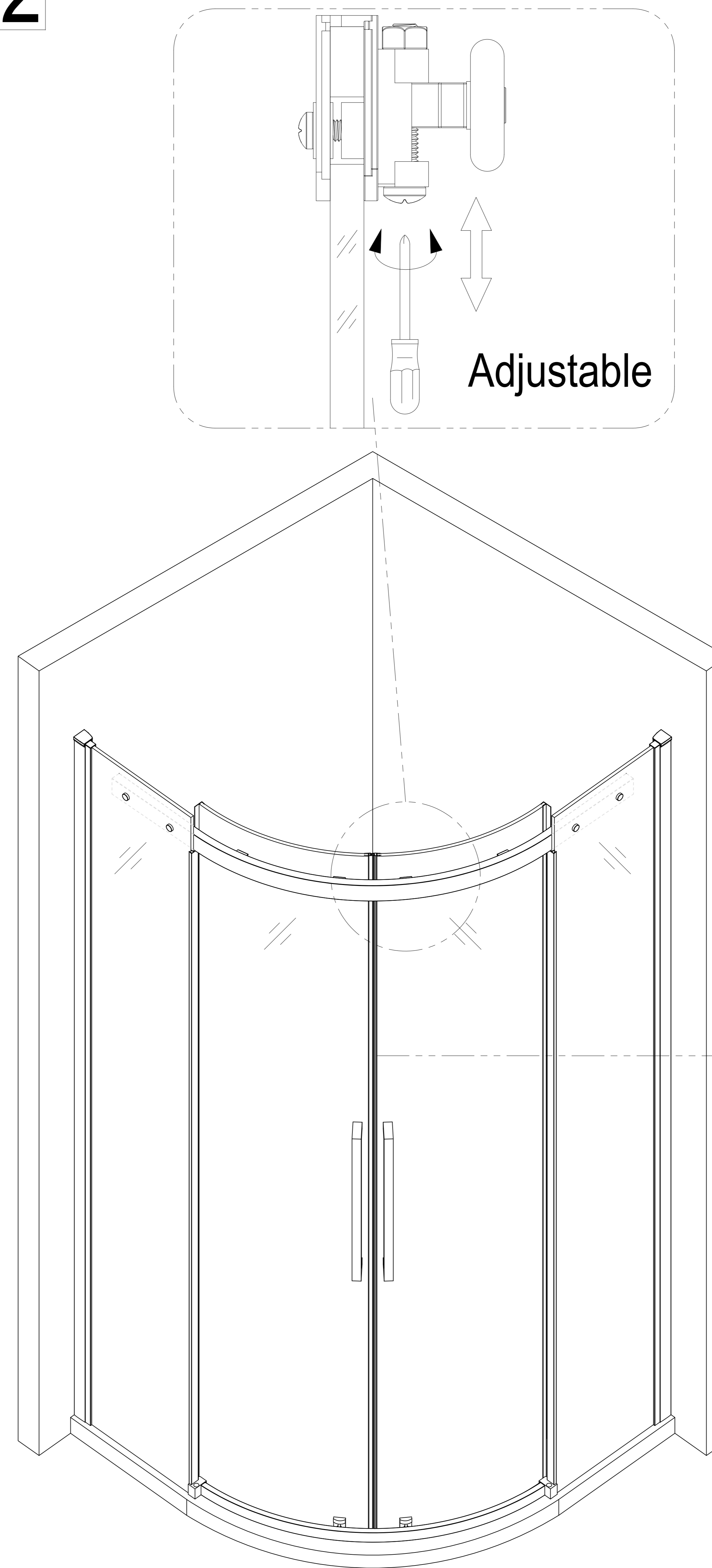
10-3



11

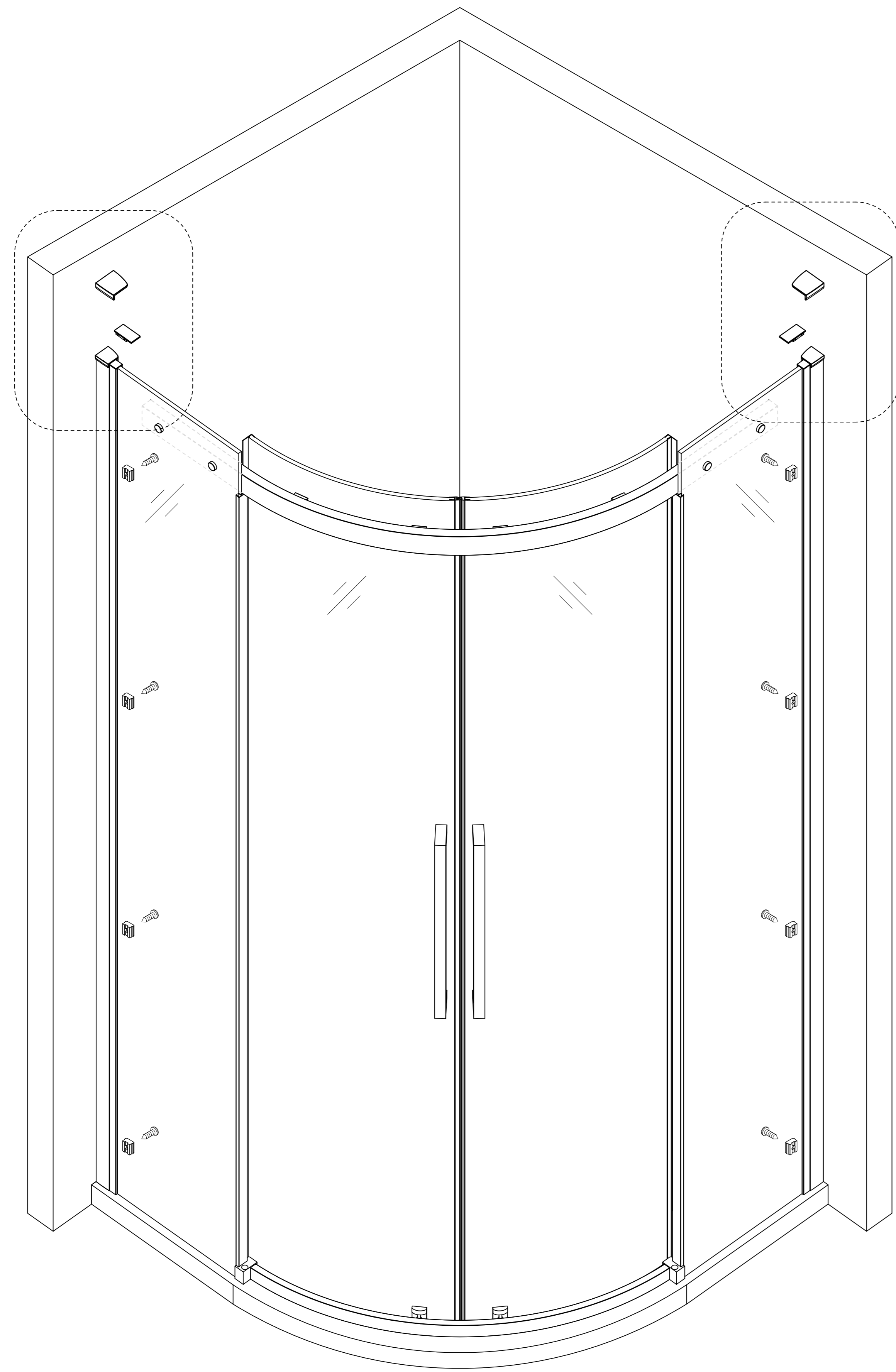


12

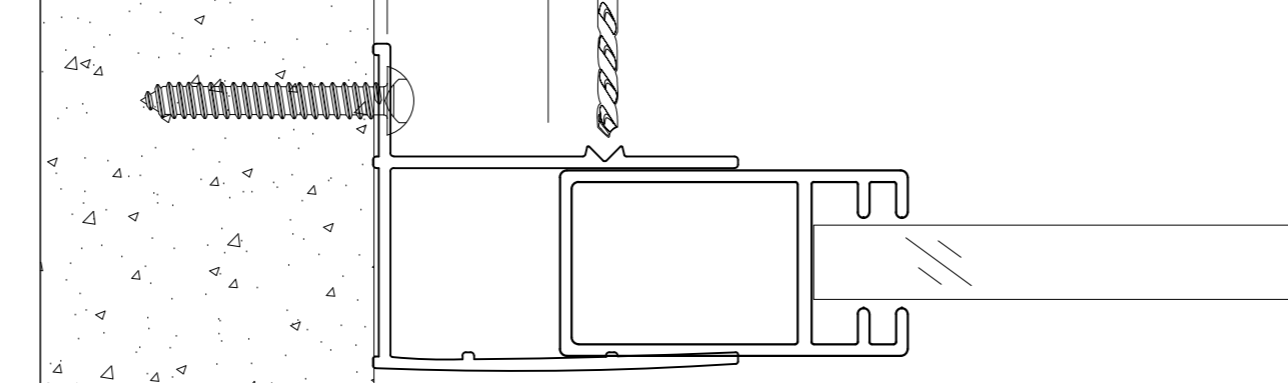


Fit magnetic seals and handles

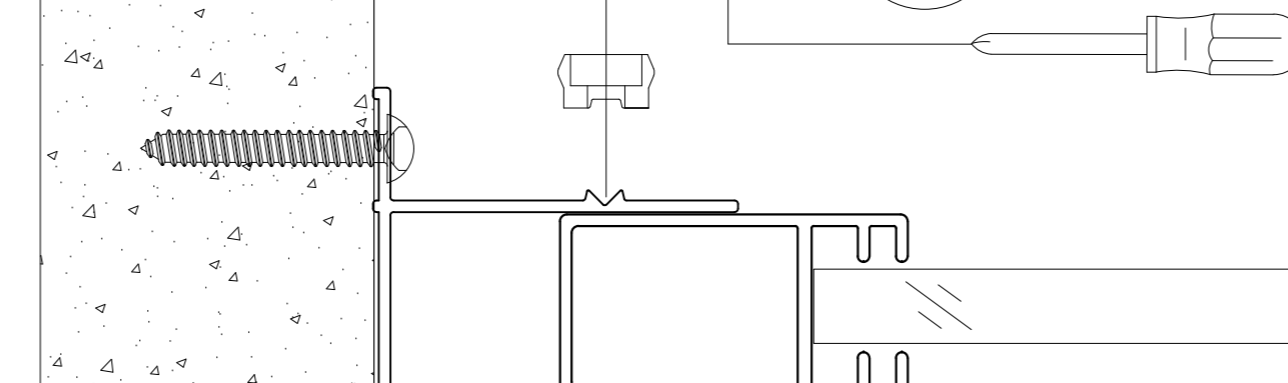
13



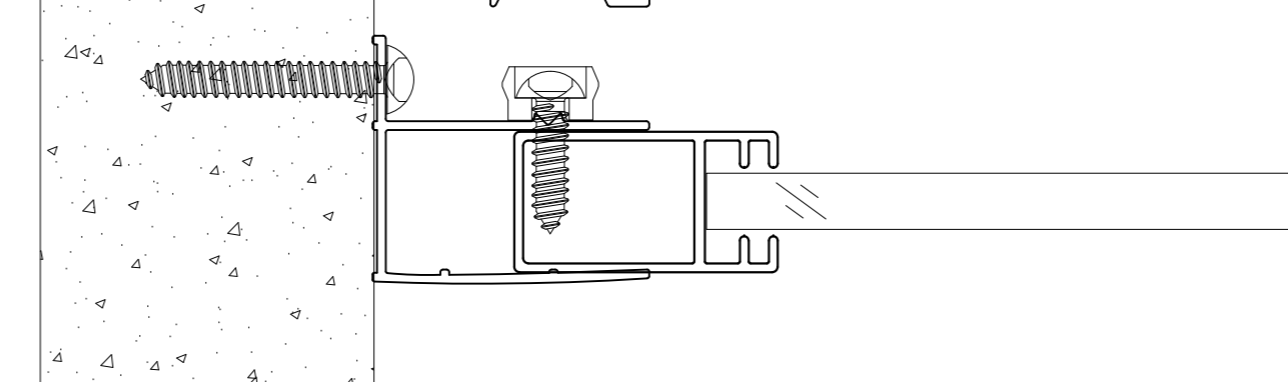
13-1 Ø3.2mm  
0-15mm



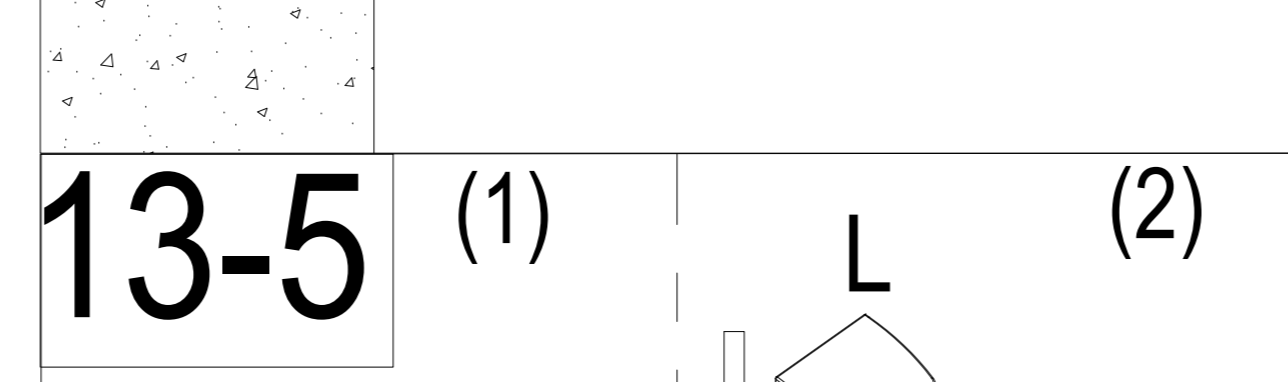
13-2 3x8  
4x8



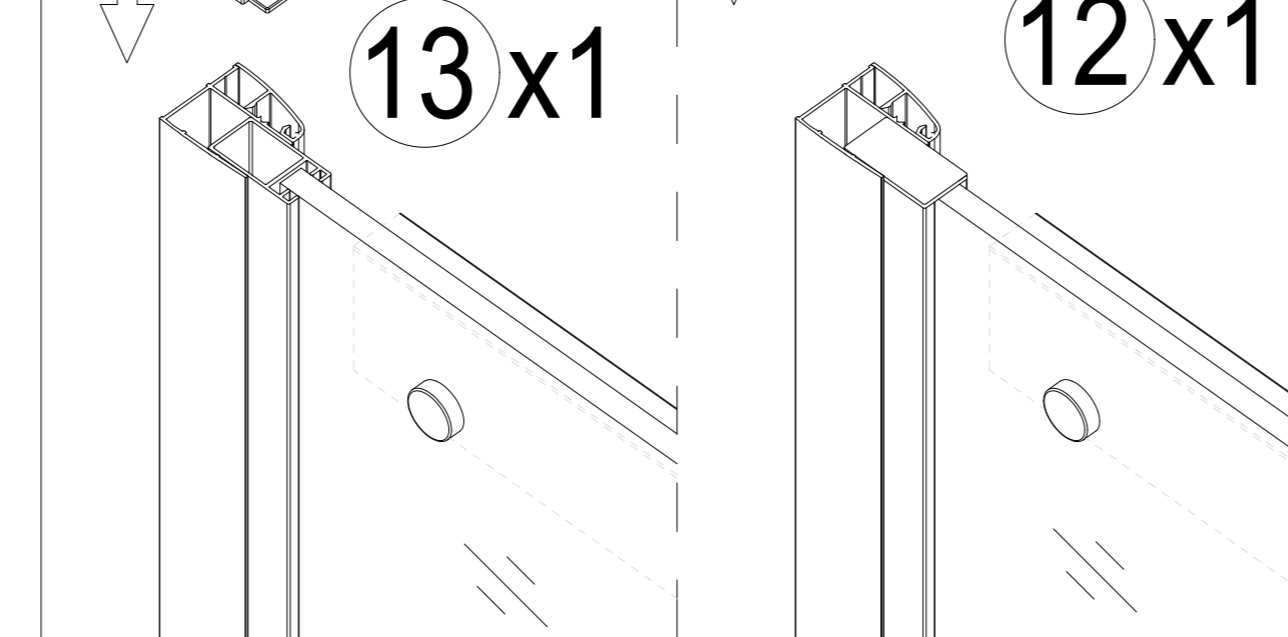
13-3 6x2



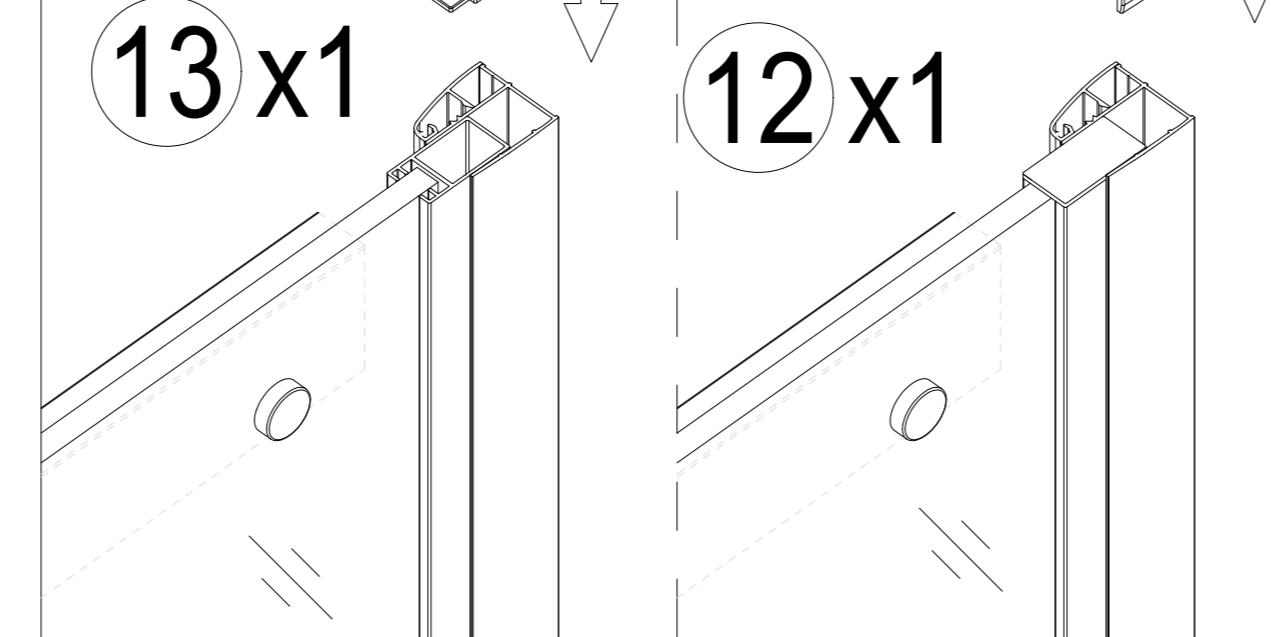
13-4



13-5 (1) L (2)



13-6 (1) R (2)

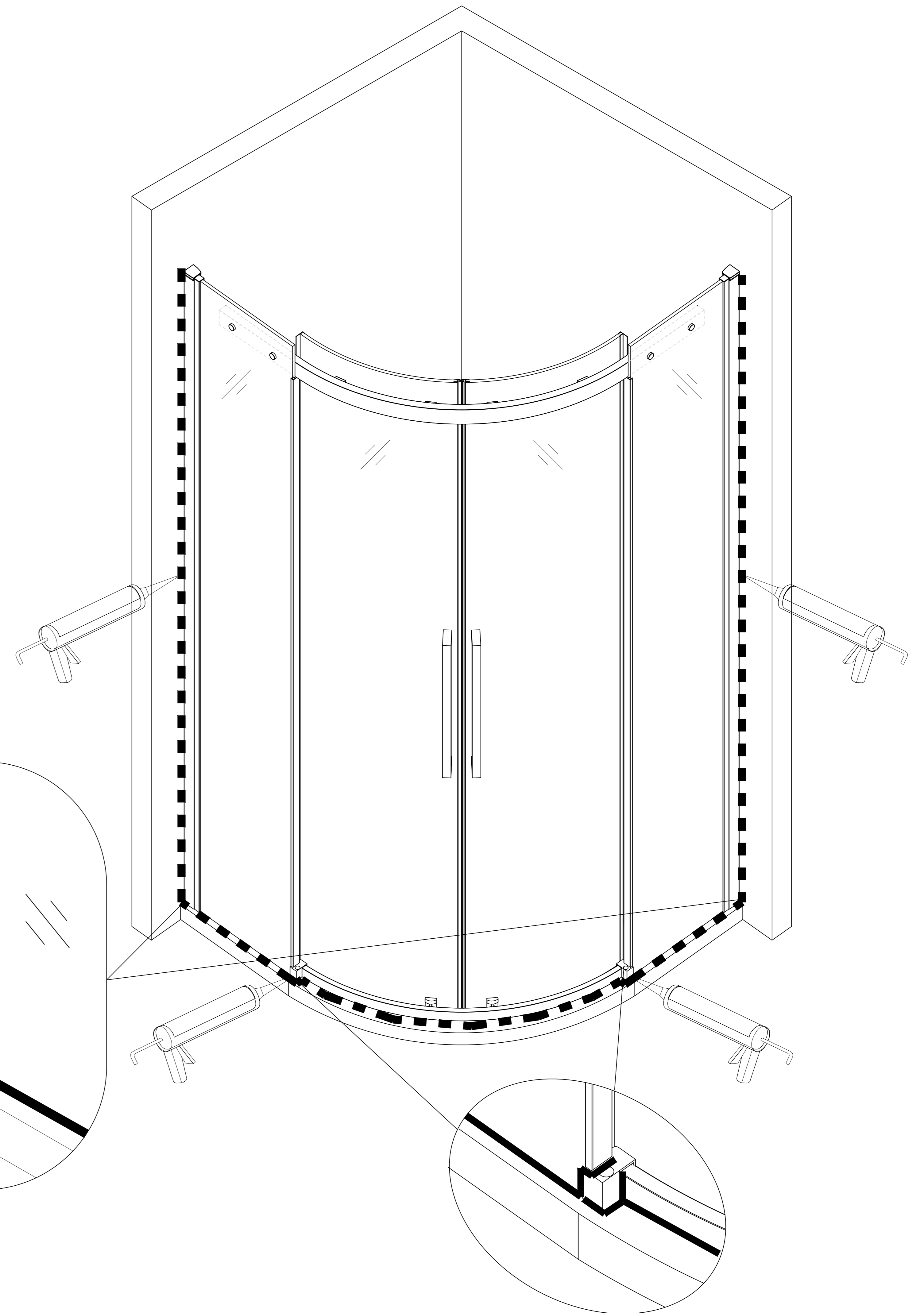


14



Care Instructions:

Do not use your shower enclosure within 24 hours of assembly . Do not use caustic cleaning products or abrasive material when cleaning your shower enclosure.



Install profile cover caps

Silicone on the outside only

# Eastbrook

Eastbrook Road, Gloucester GL4 3DB

Technical Helpline: 01452 317890

Email: [technical@eastbrookco.com](mailto:technical@eastbrookco.com)

## Cleaning and Maintenance of Shower Enclosures

Do not clean the shower enclosure with irritant detergents such as alcohol, bleach or other chemical cleaners.

Only clean with mild soapy water or a proprietary cleaner where the label advises it is suitable for the materials the enclosure is constructed from. Test on a small area first.

For treating limescale we would recommend distilled vinegar in a half and half solution with water.

Following installation should you find that there is a notable noise when the glass door moves you may add a small amount of silicon lubricant onto the roller wheels and tracks, hinges or clips.

It is the responsibility of the product owner to maintain the product as recommended above. Also, to check for parts which have broken or become loose to protect against failure of the enclosure.