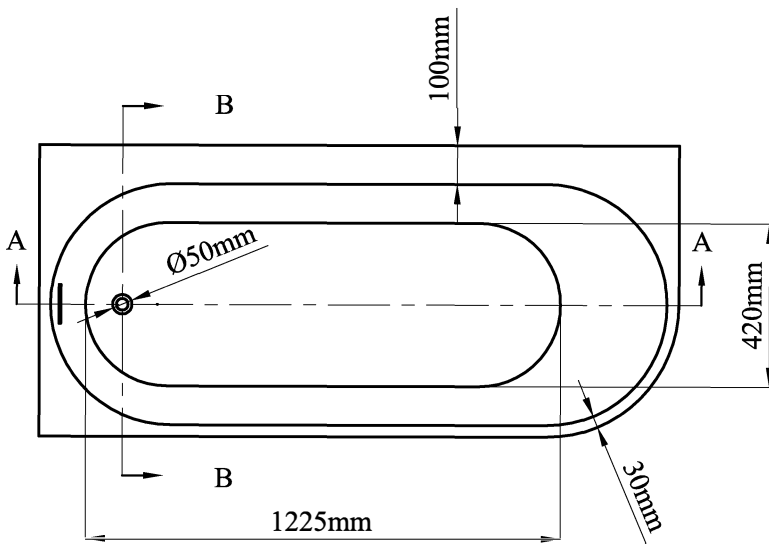
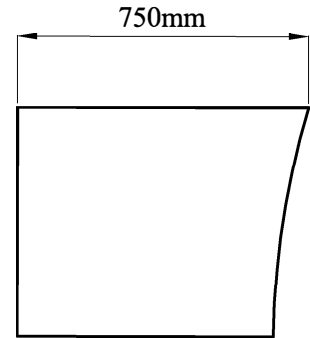
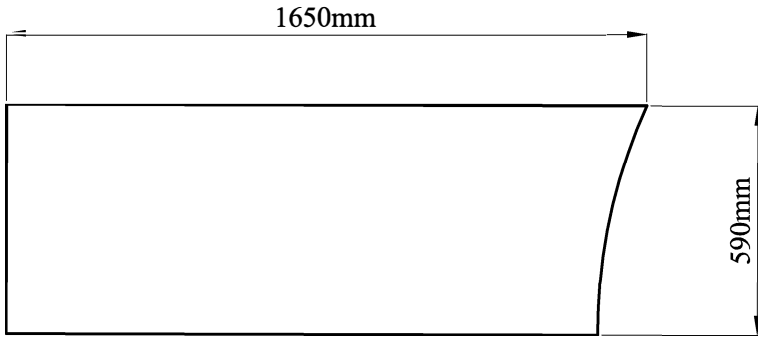


33.0055

Measurement: 1650 × 750 × 590 mm



SECTION A-A

SECTION B-B

