

DATASHEET

Image



General Information

Product:	12.045
Description:	New 15mm Corner TRV & Lockshield Valve
Website Link:	(Click Here)
Product Type:	Radiator Valve
Brand:	Eastbrook Company
Colour:	Chrome
Material:	Brass + Plastic
Net Weight (kg):	0.653kg
Product Range:	Radiator Valves

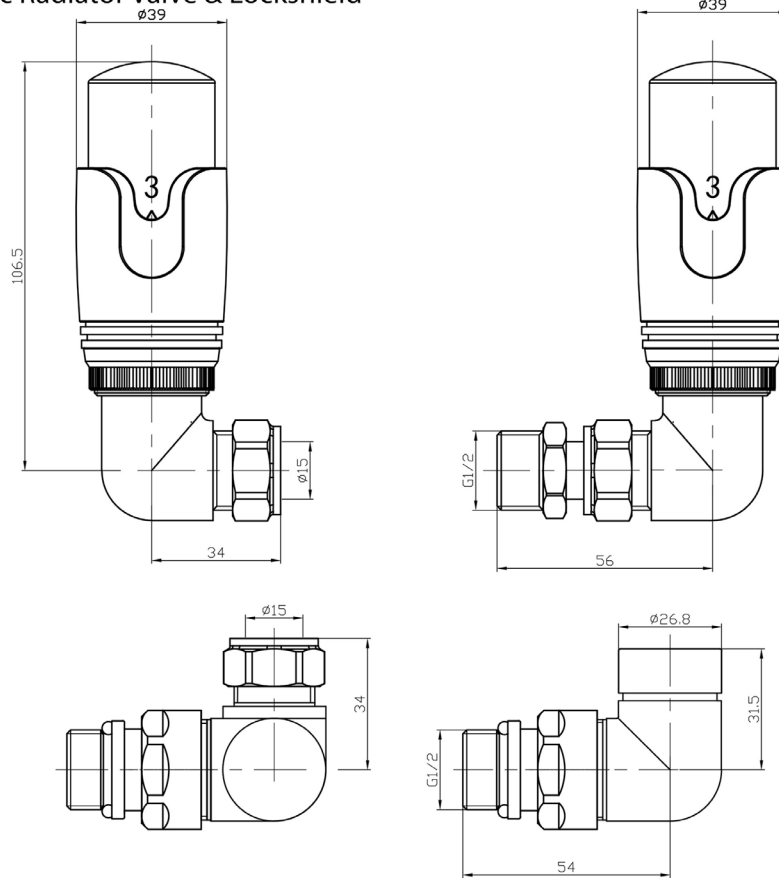
Product Specifications

Warranty:	2 Year(s)
Valve Types:	Corner

Drawing

Eastbrook

Corner Thermostatic Radiator Valve & Lockshield
Technical Drawing



12.049
12.045
12.061
41.3037
12.053
12.054
12.055
12.056
12.057
12.077
12.080
12.086

Eastbrook 
Eastbrook Road, Gloucester GL4 3DB
Technical Helpline : 01452 317890
Mon - Fri / 8am - 5pm
Email : technical@eastbrookco.com