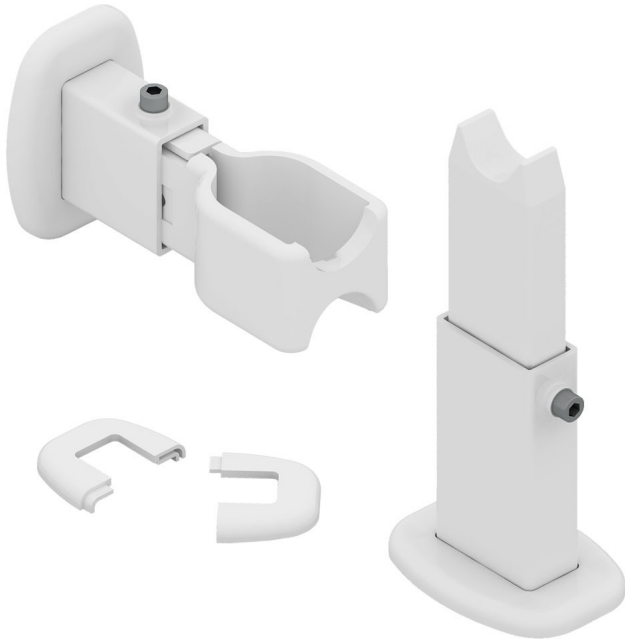


## DATASHEET

### Image



### General Information

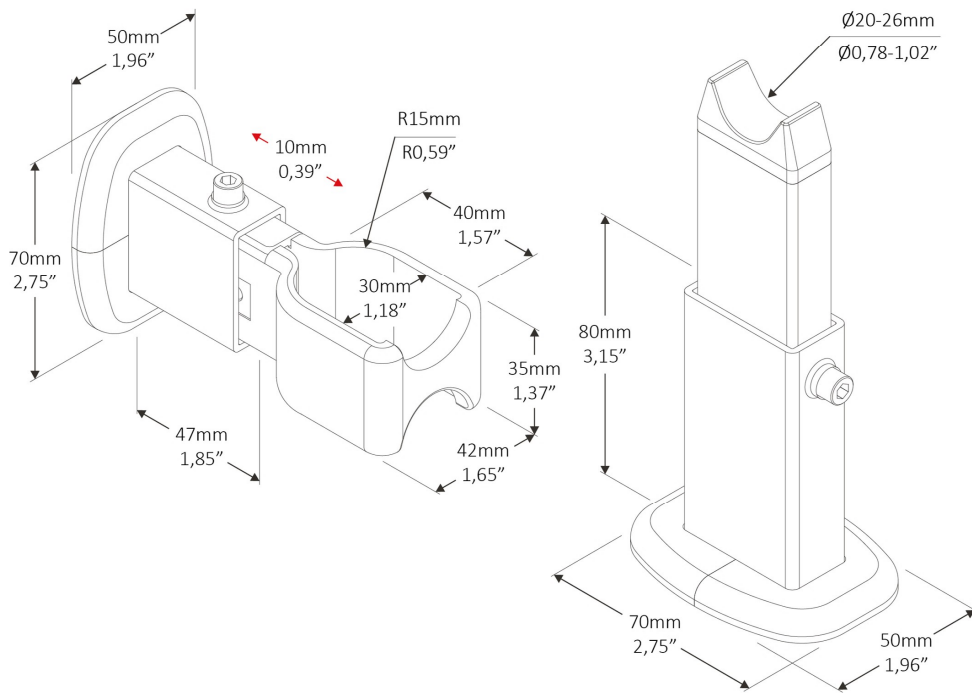
Product:	16.153
Description:	Room Divider Bracket Set for Towel Rails
Website Link:	<a href="#">(Click Here)</a>
Product Type:	Bracket Set
Brand:	Eastbrook Company
Colour:	Gloss White
Net Weight (kg):	1.5kg
Product Range:	Universal

### Product Specifications

Warranty:	2 Year(s)
-----------	-----------

## Drawing

### 16.153 & 16.154 Room Divider Bracket Set Technical Drawing



16.153



16.154

**Eastbrook**   
Eastbrook Road, Gloucester GL4 3DB  
Technical Helpline : 01452 317890  
Mon - Fri / 8am - 5pm  
Email : [technical@eastbrookco.com](mailto:technical@eastbrookco.com)