

DATASHEET

Image



General Information

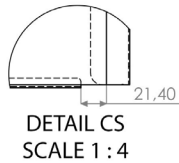
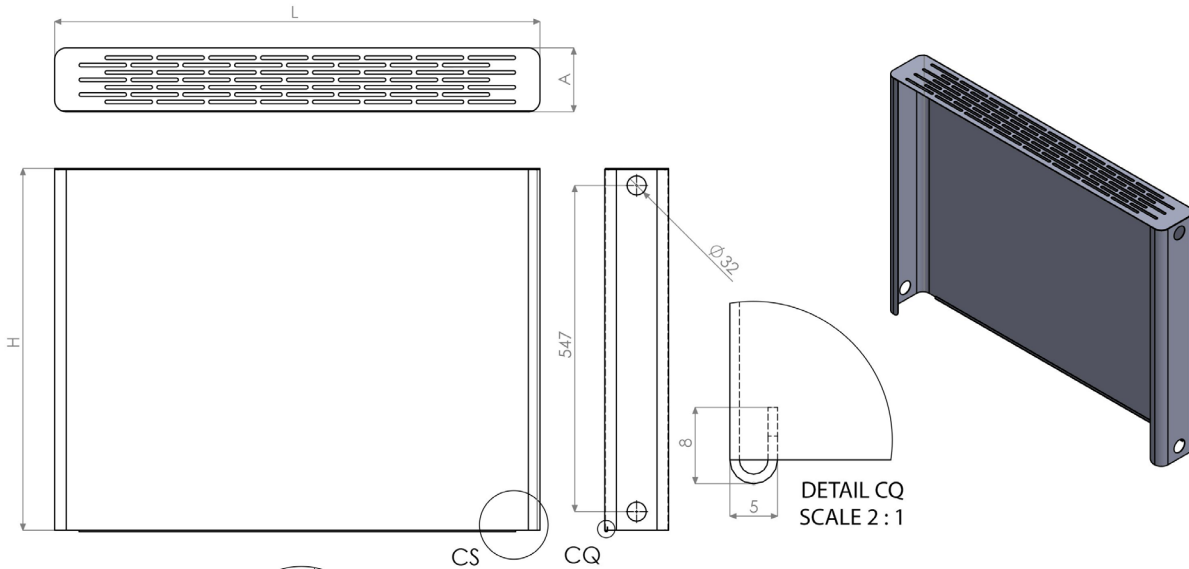
| | |
|------------------|--|
| Product: | 25.7008 |
| Description: | Keynsham Type 22 Panel Radiator 600 x 800 with Flat Designer Cover |
| Website Link: | (Click Here) |
| Product Type: | Radiator |
| Brand: | Eastbrook Company |
| Colour: | Matt Anthracite |
| Material: | Mild Steel |
| Height (mm): | 600mm |
| Width (mm): | 800mm |
| Net Weight (kg): | 4kg |
| Product Range: | Keynsham Compact Panel |

Product Specifications

| | |
|--------------------------------------|------------|
| Warranty: | 10 Year(s) |
| BTU $\Delta T50^{\circ}\text{C}$: | 4506 |
| BTU $\Delta T60^{\circ}\text{C}$: | 5671 |
| Watts $\Delta T50^{\circ}\text{C}$: | 1320 |
| Watts $\Delta T60^{\circ}\text{C}$: | 1663 |

Drawing

Keynsham Flat Designer Cover - Type 22
Technical Drawing



DETAIL CQ
 SCALE 2 : 1

| | L | H | A |
|----------|------|-------|-------|
| 600x400 | 414 | 606.6 | 107.1 |
| 600x500 | 514 | | |
| 600x600 | 614 | | |
| 600x800 | 814 | | |
| 600x1000 | 1014 | | |
| 600x1200 | 1214 | | |

Eastbrook 
 Eastbrook Road, Gloucester GL4 3DB
 Technical Helpline : 01452 317890
 Mon - Fri / 8am - 5pm
 Email : technical@eastbrookco.com