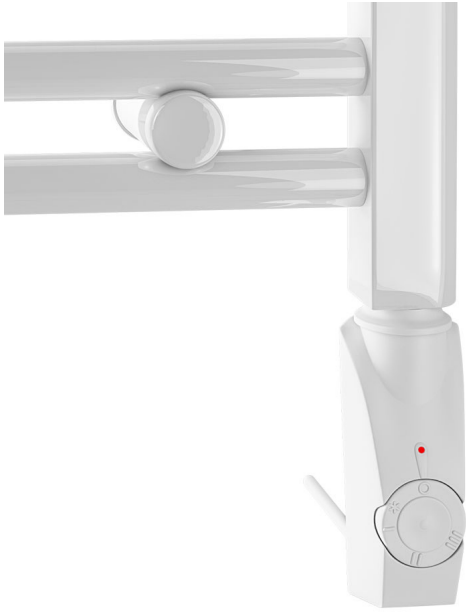


DATASHEET

Image



General Information

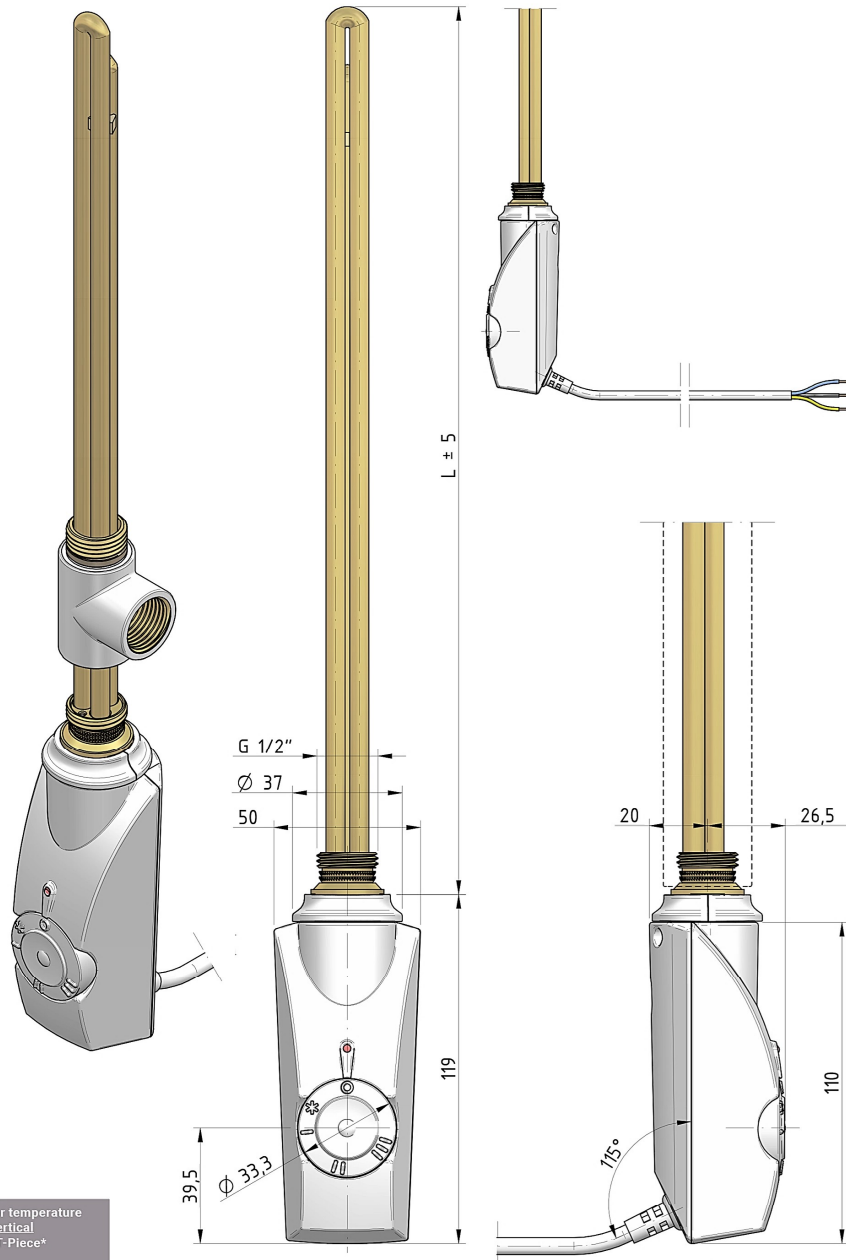
| | |
|------------------|--------------------------------|
| Product: | 8.323 |
| Description: | Type D Element with Boost 300W |
| Website Link: | (Click Here) |
| Product Type: | Heating Element |
| Brand: | Eastbrook Company |
| Colour: | Gloss White |
| Material: | |
| Net Weight (kg): | 0.455kg |
| Product Range: | Type D with Boost Element |

Product Specifications

| | |
|--------------|-----------|
| Warranty: | 1 Year(s) |
| Orientation: | |
| Watts: | 300 |
| Valve Types: | |

Drawing

**Type D Element with Boost
 Technical Drawing**



Including radiator temperature thermostat for vertical installation and T-Piece*

*Chrome, Matt Anthracite & Matt Black elements come with Chrome T-Piece.
 *Gloss White & Matt White elements both come with white T-Piece.

| Power | Length |
|-------|--------|
| 300W | 340 |
| 600W | 390 |
| 900W | 440 |

Eastbrook 
 Eastbrook Road, Gloucester GL4 3DB
 Technical Helpline : 01452 317890
 Mon - Fri / 8am - 5pm
 Email : technical@eastbrookco.com